

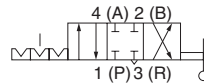
# HAND VALVES

## 400HV Series

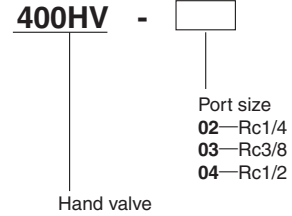
### Features

- Perfect for air cylinder switching.
- 4-port manual switching valve with slide valve structure.
- Rotary type (swing lever) for reliable switching.

### Symbol



### Order Codes

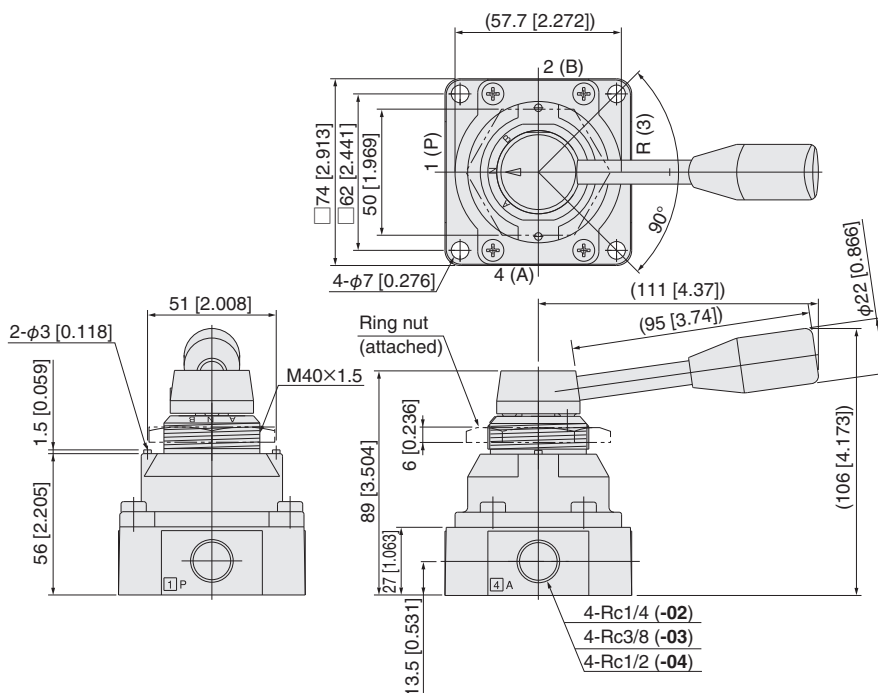


### Specifications

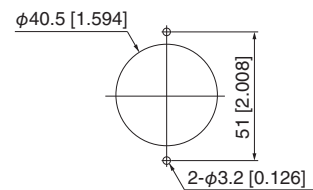
| Item                           | Type                | 400HV-02  | 400HV-03 | 400HV-04 |
|--------------------------------|---------------------|---|----------|----------|
| Media                          |                     | Air   |          |          |
| Valve function                 |                     | 4-port, 3-position                              |          |          |
| Operation type                 |                     | Direct acting                                   |          |          |
| Volume of flow Characteristics | Sonic conductance C | dm <sup>3</sup> /(s·bar) <sup>Note</sup><br>5.2 |          |          |
|                                | Effective area      | mm <sup>2</sup> [Cv]<br>26 [479.700]            |          |          |
| Port size                      |                     | Rc1/4   | Rc3/8    | Rc1/2    |
| Operating pressure range       | MPa [psi]           | 0 ~ 0.97 [0 ~ 141]                              |          |          |
| Proof pressure                 | MPa [psi]           | 1.47 [213]                                      |          |          |
| Operating temperature range    | °C [°F]             | 5 ~ 60 [41 ~ 140]                               |          |          |
| Lever operation angle          |                     | 90°   |          |          |
| Mounting direction             |                     | Any   |          |          |
| Mass                           | g [oz]              | 420 [14.8]                                      |          |          |

Notes: Sonic conductance values are calculated values, and are not measured values.

### Dimensions (mm [in])

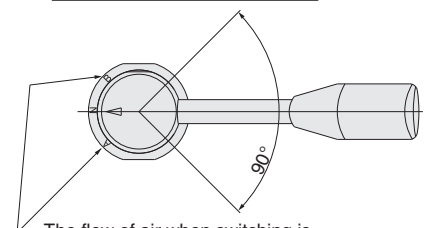


- Detailed diagram for machining panel mounting holes



Note: Mountable panel thickness is a maximum of 5 mm [0.197 in].

### Handling precautions



The flow of air when switching is indicated by the numbers printed on the end of the switch handle.

- If A: 1 (P) 4 (A)
- If B: 1 (P) 2 (B)