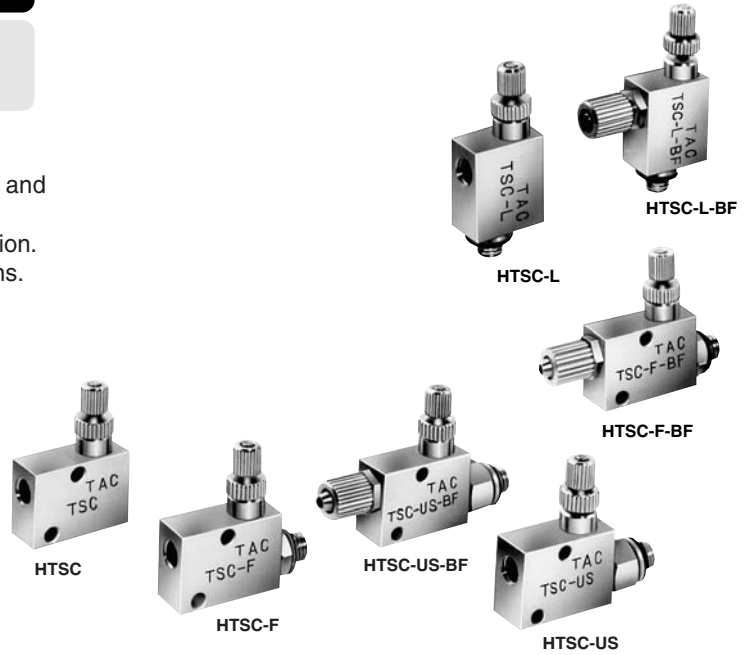
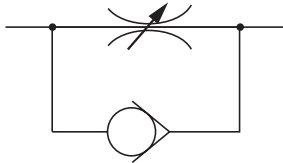


SPEED CONTROLLERS TSC SERIES

10-32 UNF, With Clamp Fitting

- Compact and lightweight, optimum for Pen Cylinders and Jig Cylinders.
- Wide variation of products allows mounting in any direction.
- Straight type and L type offer a choice of piping directions.

Symbol



Specifications

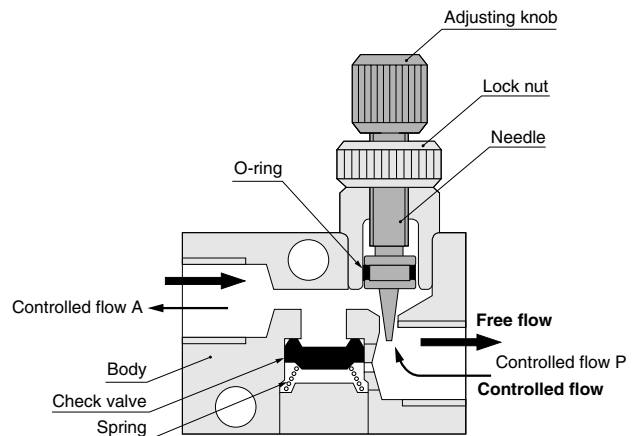
Item	Model	HTSC	HTSC-F	HTSC-F-BF	HTSC-US	HTSC-US-BF	HTSC-L	HTSC-L-BF
Piping type and port size	Controlled flow P	Female thread 10-32 UNF	Male thread 10-32 UNF		Union male thread 10-32 UNF		Male thread 10-32 UNF	
	Controlled flow A	Female thread 10-32 UNF		For urethane tube $\phi 4 \times 2.5$ Clamp fitting	Female thread 10-32 UNF	For urethane tube $\phi 4 \times 2.5$ Clamp fitting	Female thread 10-32 UNF	For urethane tube $\phi 4 \times 2.5$ Clamp fitting
Media		Air						
Operating pressure range	MPa [psi.]	0~0.9 [0~131]						
Proof pressure	MPa [psi.]	1.32 [191]						
Cracking pressure	MPa [psi.]	0.05 [7.3]						
Operating temperature range	°C [°F]	5~60 [41~140]						
Mass	g [oz.]	16 [0.56]	18 [0.63]	20.5 [0.72]	19 [0.67]	21.5 [0.76]	15 [0.53]	17 [0.60]

Order Codes



- Model
 HTSC
 HTSC-F
 HTSC-F-BF
 HTSC-US
 HTSC-US-BF
 HTSC-L
 HTSC-L-BF

Inner Construction and Major Parts



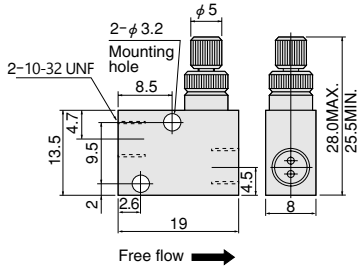
Major Parts and Materials

Parts	Materials
Body	Brass (nickel plated)
Needle	Stainless steel
Lock nut	Brass (nickel plated)
Check valve	Synthetic rubber (NBR)
O-ring	
Adjusting knob	Brass (nickel plated)

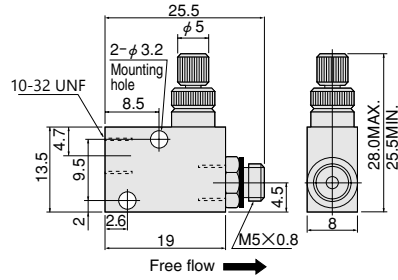
Dimensions (mm)

● Straight type

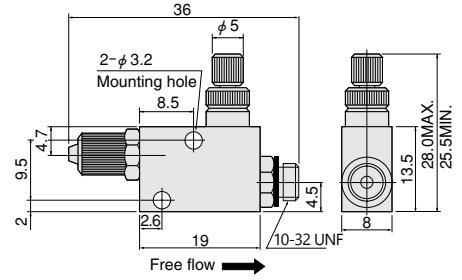
● HTSC



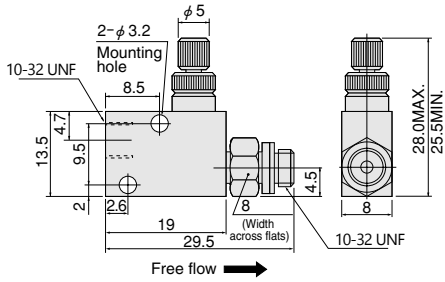
● HTSC-F



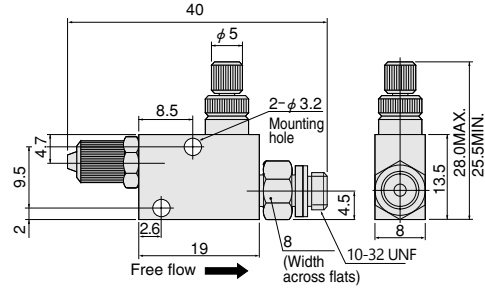
● HTSC-F-BF



● HTSC-US

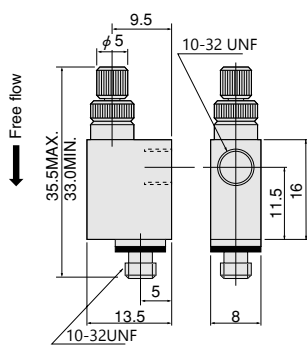


● HTSC-US-BF

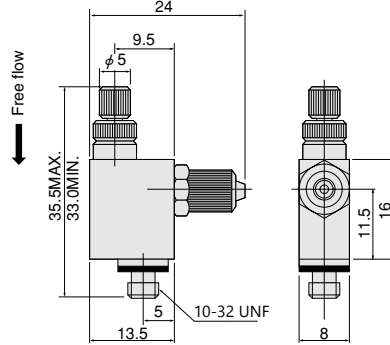


● L type

● HTSC-L

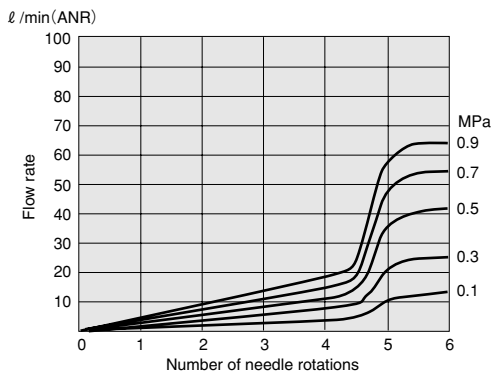


● HTSC-L-BF



Flow Rate Characteristics

● Controlled flow



1MPa = 145psi. 1 l/min = 0.0353ft³/min.

● Free flow

