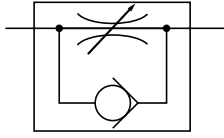


# SPEED CONTROLLERS KSC SERIES

Rc1/8 ~ Rc1

- Easy to adjust flow rate.
- Maintain stable flow rate.
- Compact and easy mounting.

## Symbol



## Specifications

Item	Model	KSC11	KSC22	KSC21	KSC31	KSC41	KSC6	KSC8
Port size	Rc	1/8	1/4		3/8	1/2	3/4	1
Effective area	mm <sup>2</sup>	5.5 [0.31]	10 [0.56]	32 [1.78]	38 [2.11]	38 [2.11]	67 [3.72]	90 [5]
	[Cv]	3.0 [0.17]	6.5 [0.36]	22 [1.22]	22 [1.22]	22 [1.22]	62 [3.44]	103 [5.72]
Operating pressure range	MPa [psi.]	0.9 [131]						
Proof pressure	MPa [psi.]	1.3 [189]						
Cracking pressure	MPa [psi.]	0.06 [8.7]	0.02 [2.9]				0.01 [1.5]	
Operating temperature range	°C [°F]	5 ~ 60 [41 ~ 140]						
Mass	g [oz.]	90 [3.17]	130 [4.59]	420 [14.8]			960 [33.9]	880 [31.0]
Body material		Zinc die-casting			Aluminum die-casting			

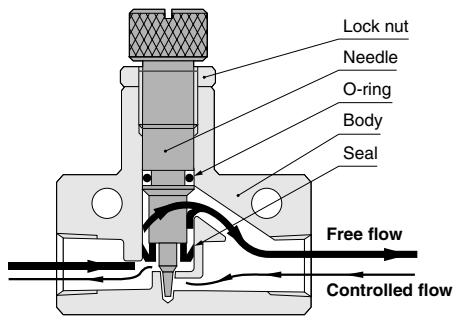
## Order Codes



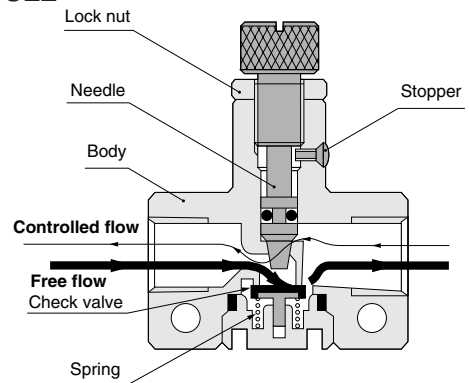
- Model  
 KSC11  
 KSC22 KSC41  
 KSC21 KSC6  
 KSC31 KSC8
- Non-ion specification  
 Blank — Standard specification  
 NCU — Non-ion specification

## Inner Construction and Major Parts

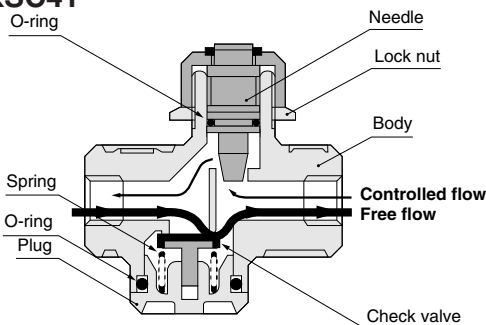
### ● KSC11



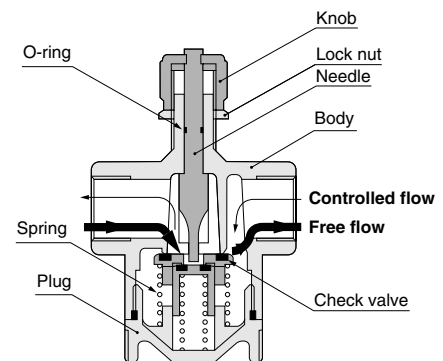
### ● KSC22



### ● KSC21 ● KSC31 ● KSC41



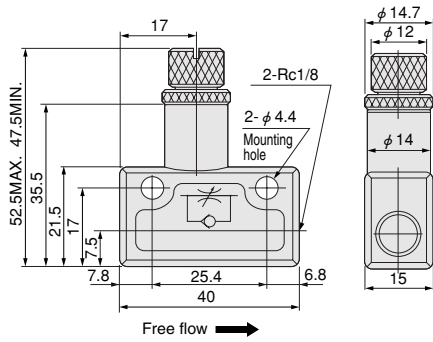
### ● KSC6 ● KSC8



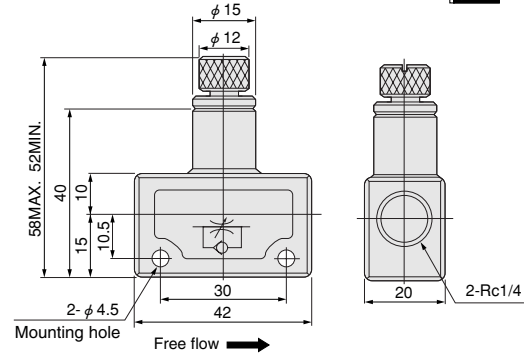
Note: In KSC6 and KSC8, turning the knob clockwise increases the controlled flow rate, while turning the knob counterclockwise reduces it.  
 (For all other models, this is reversed.)

# Dimensions (mm)

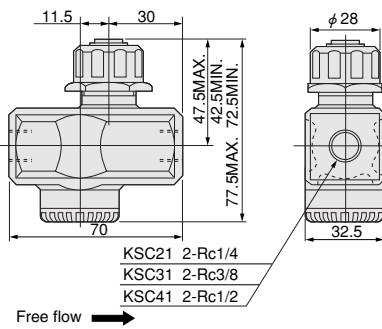
## ● KSC11



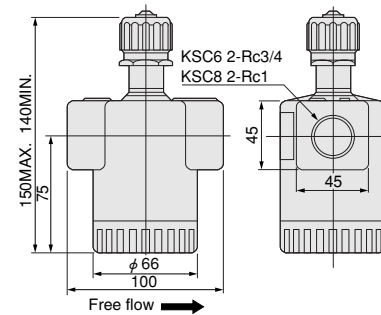
## ● KSC22



## ● KSC21 ● KSC31 ● KSC41

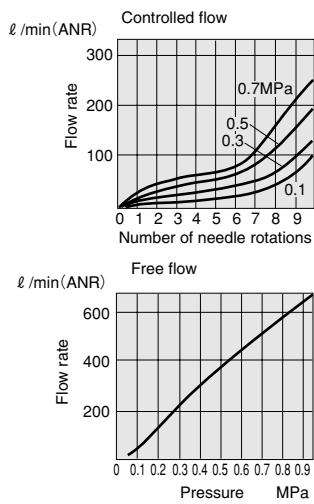


## ● KSC6 ● KSC8

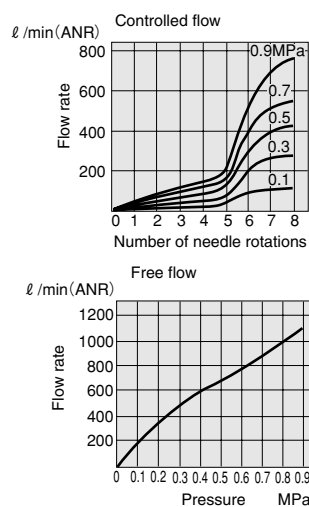


# Flow Rate Characteristics

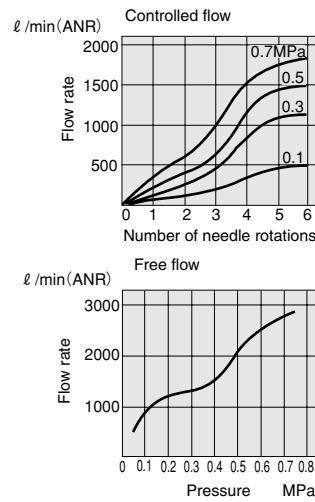
## ● KSC11



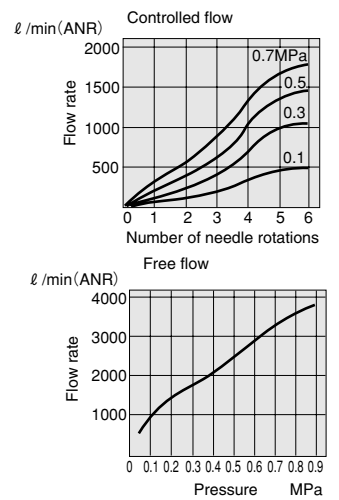
## ● KSC22



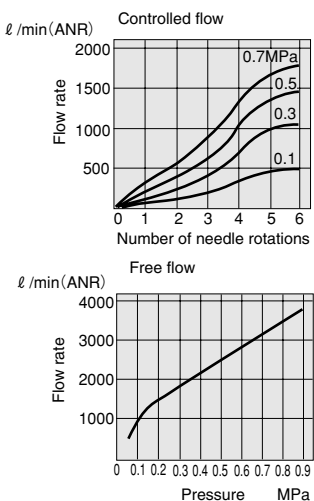
## ● KSC21



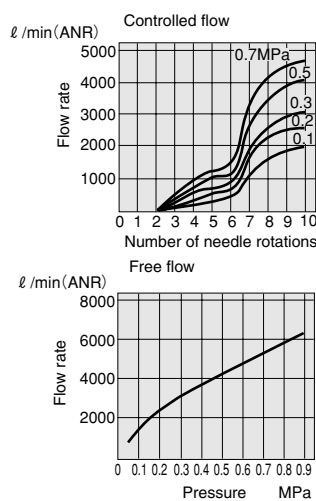
## ● KSC31



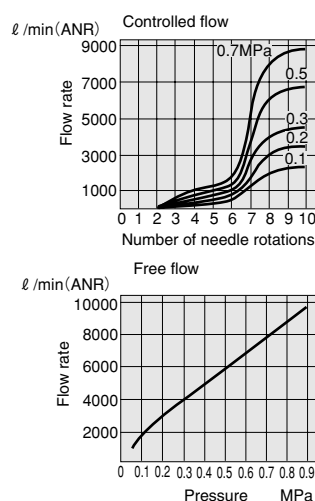
## ● KSC41



## ● KSC6



## ● KSC8



1MPa = 145psi.  
1 l/min = 0.0353ft<sup>3</sup>/min.