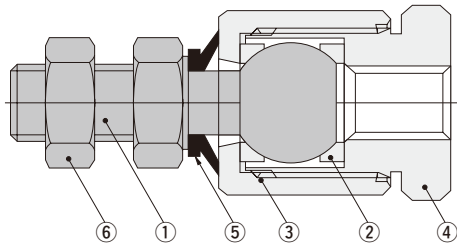


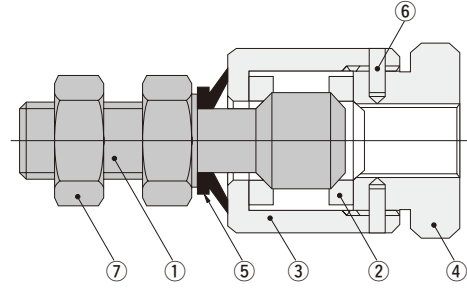
Inner Construction, Major Parts and Materials

● CJ-3×0.5, CJ-4×0.7, CJ-5×0.8



No.	Parts	Materials	Remarks
①	Stud	Steel	Nickel plated
②	Ring	Steel	—
③	Case	Brass	Nickel plated
④	Socket	Brass	
⑤	Dust seal	Synthetic rubber	NBR
⑥	Nut	Mild steel	Zinc plated

● CJ-6×1~CJ□-14×1.5

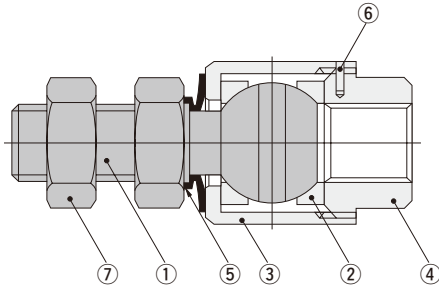


The diagram shows CJ□-8×1~14×1.5.

No.	Parts	Materials	Remarks
①	Stud	Steel	Nickel plated
②	Ring	Special steel	—
③	Case	Steel (Brass)	Nickel plated
④	Socket	Steel (Brass)	
⑤	Dust seal	Synthetic rubber	NBR
⑥	Pin	Special steel	It is not available in CJ-6×1.
⑦	Nut	Mild steel	Zinc plated

Note: Inside the parentheses, “()” is for CJ-6×1.

● CJ□-18×1.5~CJ□-26×1.5



No.	Parts	Materials	Remarks
①	Stud	Steel	Nickel plated
②	Ring	Special steel	—
③	Case	Steel	Nickel plated
④	Socket	Steel	Nickel plated
⑤	Dust seal	Synthetic rubber	NBR
⑥	Pin	Special steel	—
⑦	Nut	Mild steel	Zinc plated

Mass

kg [oz.]

Item	Size	kg [oz.]			
		3×0.5	4×0.7	5×0.8	6×1
Cylinder joint alone		0.011 [0.39]	0.012 [0.42]	0.023 [0.81]	0.025 [0.88]

kg [lb.]

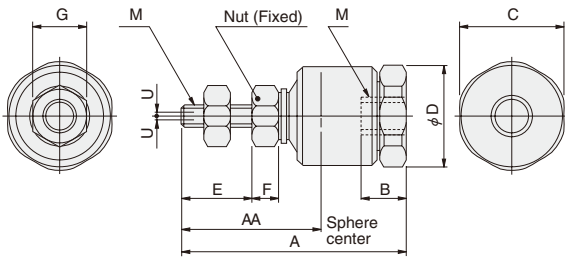
Item	Size	Short nose type (CJS)								Long nose type (CJL)							
		8×1	10×1.25	12×1.25	14×1.5	18×1.5	22×1.5	26×1.5	8×1	10×1.25	12×1.25	14×1.5	18×1.5	22×1.5	26×1.5		
Cylinder joint alone		0.05 [0.11]	0.10 [0.22]	0.20 [0.44]	0.21 [0.46]	0.36 [0.79]	0.67 [1.48]	1.27 [2.80]	0.055 [0.121]	0.105 [0.232]	0.213 [0.470]	0.24 [0.53]	0.41 [0.90]	0.75 [1.65]	1.18 [2.60]		
With foot mounting bracket		—	—	—	—	—	—	—	0.09 [0.20]	0.17 [0.37]	0.36 [0.79]	0.39 [0.86]	1.00 [2.21]	1.69 [3.73]	2.32 [5.12]		
With flange mounting bracket		0.10 [0.22]	0.21 [0.46]	0.26 [0.57]	0.47 [1.04]	0.95 [2.09]	1.93 [4.26]	2.52 [5.56]	0.090 [0.198]	0.165 [0.364]	0.272 [0.600]	0.49 [1.08]	0.95 [2.09]	1.96 [4.32]	2.57 [5.67]		

Dimensions (mm)

● CJ-3×0.5, CJ-4×0.7, CJ-5×0.8



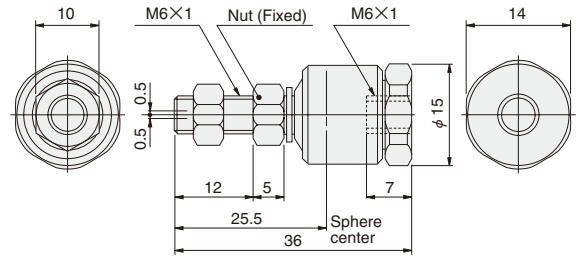
CJ1



● CJ-6×1



CJ1



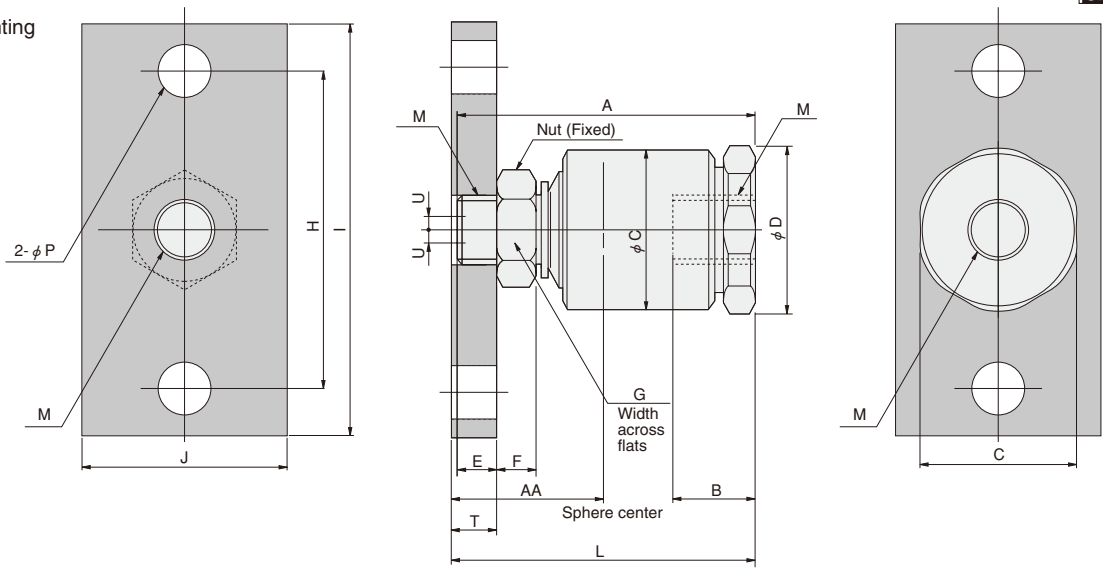
Model	M		A	B	C	D	E	F	G	AA	Allowable eccentricity U
	Nominal size	Pitch									
CJ-3×0.5	3	0.5	23	5	12	13	7	2.4	5.5	15.6	0.5
CJ-4×0.7	4	0.7	25.5	5	12	13	8.8	3.2	7	18.1	0.5
CJ-5×0.8	5	0.8	33	7	14	15	10.5	4	8	22.4	0.5

● CJS-8×1-3, CJS-10×1.25-3, CJS-12×1.25-3, CJS-14×1.5-3



CJ2

Short nose type
(with flange mounting bracket)



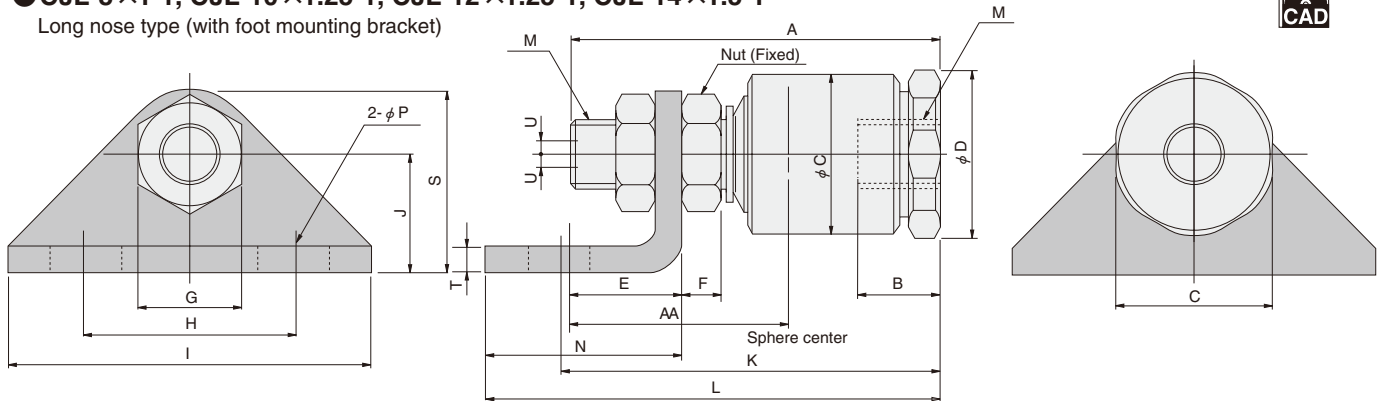
Model	M		Short nose type body								With flange mounting bracket							Allowable eccentricity U
	Nominal size	Pitch	A	B	C	D	E	F	G	AA	H	I	J	L	P	T		
CJS-8×1	8	1	38	10	19	20	4	5	12	22.5	40	52	25	40	7	6	0.5	
CJS-10×1.25	10	1.25	48	12	24	25.5	7	6	14	29.5	44	56	32	50	7	9	0.75	
CJS-12×1.25	12	1.25	59.5	16	30	32	7	7	17	34.5	44	56	32	61.5	7	9	1.0	
CJS-14×1.5	14	1.5	63.5	16	30	32	10	8	19	38.5	60	80	38	65.5	11	12	1.0	

● CJL-8×1-1, CJL-10×1.25-1, CJL-12×1.25-1, CJL-14×1.5-1



CJ3

Long nose type (with foot mounting bracket)

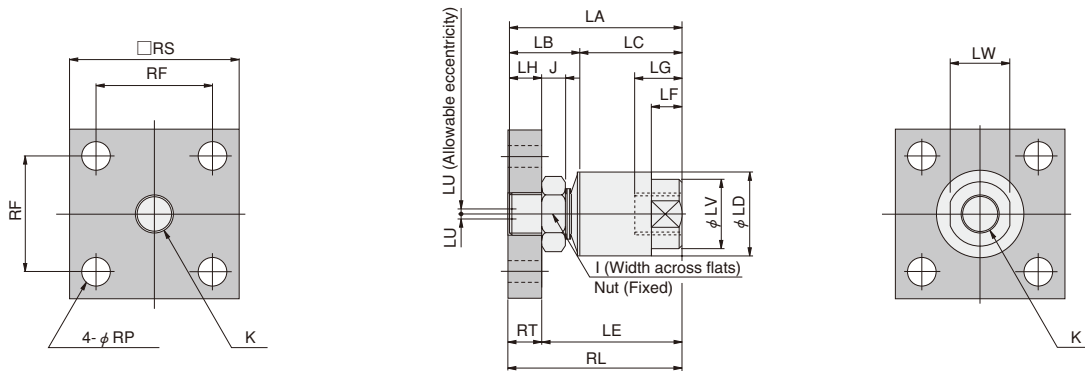


Model	M		Long nose type body								With foot mounting bracket									Allowable eccentricity U
	Nominal size	Pitch	A	B	C	D	E	F	G	AA	H	I	J	K	L	N	P	S	T	
CJL-8×1	8	1	47	10	19	20	13	5	12	30.5	26	44	15	48	59	25	9	23	3.2	0.5
CJL-10×1.25	10	1.25	57	12	24	25.5	16	6	14	37.5	26	44	19	59	71	30	9	29	5	0.75
CJL-12×1.25	12	1.25	70.5	16	30	32	18	7	17	44.5	26	44	19	70.5	82.5	30	9	29	5	1.0
CJL-14×1.5	14	1.5	72.5	16	30	32	19	8	19	46.5	36	64	22	83.5	98.5	45	11	34	6	1.5

Dimensions (mm)

● CJS-18×1.5-3, CJS-22×1.5-3, CJS-26×1.5-3

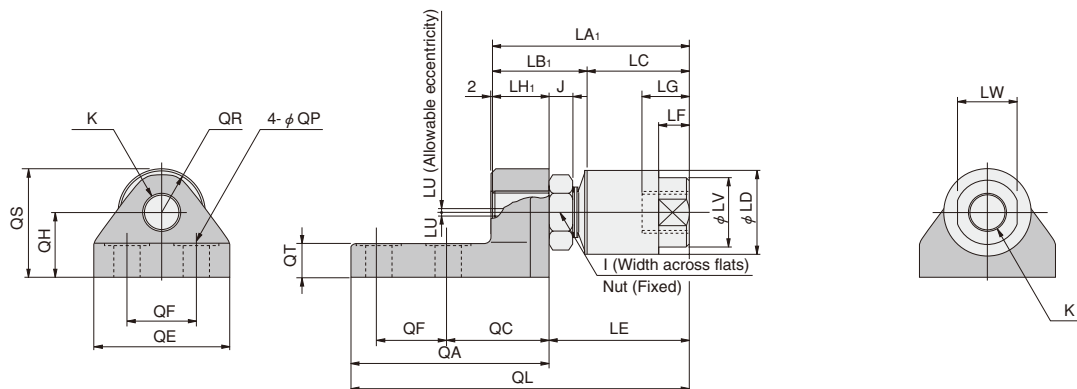
Short nose type (with flange mounting bracket)



Model	Short nose type body													With flange mounting bracket					
	I	J	K	LA	LB	LC	LD	LE	LF	LG	LH	LU	LV	LW	RF	RL	RP	RS	RT
CJS-18×1.5	27	11	M18×1.5	77	31	46	38	64	14	21	13	1.25	29	27	50	79	11	75	15
CJS-22×1.5	32	13	M22×1.5	93	38	55	49	77	16	25	16	2	34	32	62	95	14	100	18
CJS-26×1.5	36	14	M26×1.5	109	44	65	57	90	21	30	19	2.5	44	41	70	111	14	100	21

● CJL-18×1.5-1, CJL-22×1.5-1, CJL-26×1.5-1

Long nose type (with foot mounting bracket)



Model	Long nose type body													With foot mounting bracket										
	I	J	K	LA ₁	LB ₁	LC	LD	LE	LF	LG	LH ₁	LU	LV	LW	QA	QC	QE	QF	QH	QL	QP	QR	QS	QT
CJL-18×1.5	27	11	M18×1.5	88	42	46	38	64	14	21	24	1.25	29	27	89	45	60	32	28	153	11	16	47	14
CJL-22×1.5	32	13	M22×1.5	105	50	55	49	77	16	25	28	2	34	32	99	49	68	36	35	176	14	19	59.5	18
CJL-26×1.5	36	14	M26×1.5	122	57	65	57	90	21	30	32	2.5	44	41	103	53	68	36	42	193	14	21	70.5	21

Handling Instructions and Precautions

- The cylinder joint is for air cylinders. Consult us for any use other than for the air cylinder.
- The cylinder joint stud can rotate, but primarily the cylinder joint is not designed as a rotary joint, so it should not be used as a rotary joint.
- It cannot be used again after disassembled.
- The lubricant has been filled in the body.
- The threaded depth in the cylinder rod socket should be within the value shown in the catalog. As a guide, it should be in a position about 1 or 2 rotations back from where it reaches the bottom.
- Be sure not to let any foreign objects or dust enter inside through the socket female thread before installation.