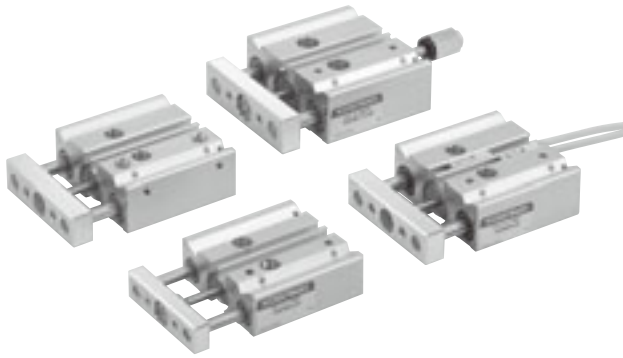




CAD drawing data catalog
is available.



KOGANEI

ACTUATORS GENERAL CATALOG

JIG CYLINDERS WITH GUIDES $\phi 6$, $\phi 8$, $\phi 10$ CONTENTS

Features	683
Handling Instructions and Precautions	685
Cylinder Thrust, Allowable Lateral Load	687
Allowable Range when Used as a Stopper	688
Standard Cylinders	
Specifications/Order Codes	689
Inner Construction/Major Parts and Materials	690
Dimensions	691
Low Speed Cylinders	
Specifications/Order Codes	692
Stroke Adjusting Cylinders	
Specifications/Order Codes	693
Inner Construction/Major Parts and Materials	694
Dimensions	695
Sensor Switches	696

JIG CYLINDERS WITH GUIDES $\phi 6$, $\phi 8$, $\phi 10$



Caution

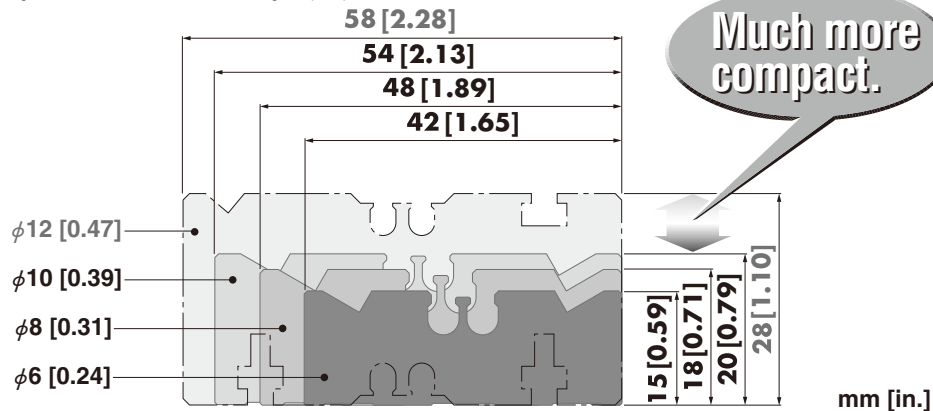
Before use, be sure to read the "Safety Precautions" on p. 57.

Jig Cylinders with Guides

$\phi 6$, $\phi 8$ and $\phi 10$ mm bore

More compact than ever

Comparison of current $\phi 12$ mm with new $\phi 6, 8, 10$ mm bore sizes.



Select guide rod bearing by application

1. Slide bearing type

Suitable for applications with lateral impact side loads, e.g., for use as a stopper due to improved wear resistance.

2. Rolling bearing type

Suitable for use as a pusher or lifter due to smooth and high-precision operation.

Stroke adjusting cylinder

The stroke adjusting rod can be used to adjust the push-side stroke range from 0 to -5mm [-0.20in.].

Three different piping locations are available

You can select the best piping location for your installation requirement, enabling logical design layout.

(Please select the piping direction required when ordering.)

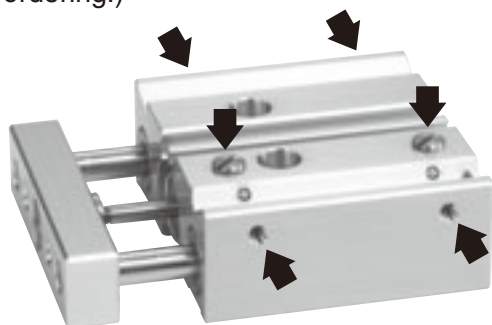


Photo shows -R specification.

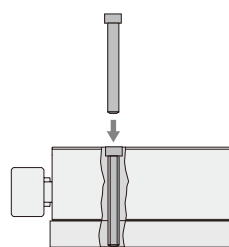
A magnet is included as standard for new ZE solid-state sensor switch application

Low speed cylinder

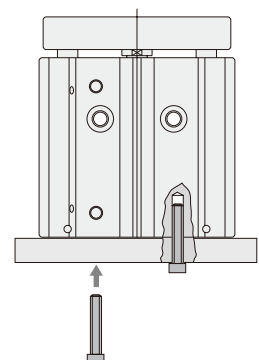
- Stable operation from 5mm/s [0.20in./sec.]
- Smooth operation with reduced stick or slip adhesion
- Ideal for carrying fragile workpieces at low speed

Three mounting types are available

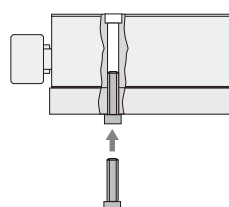
● Top mounting

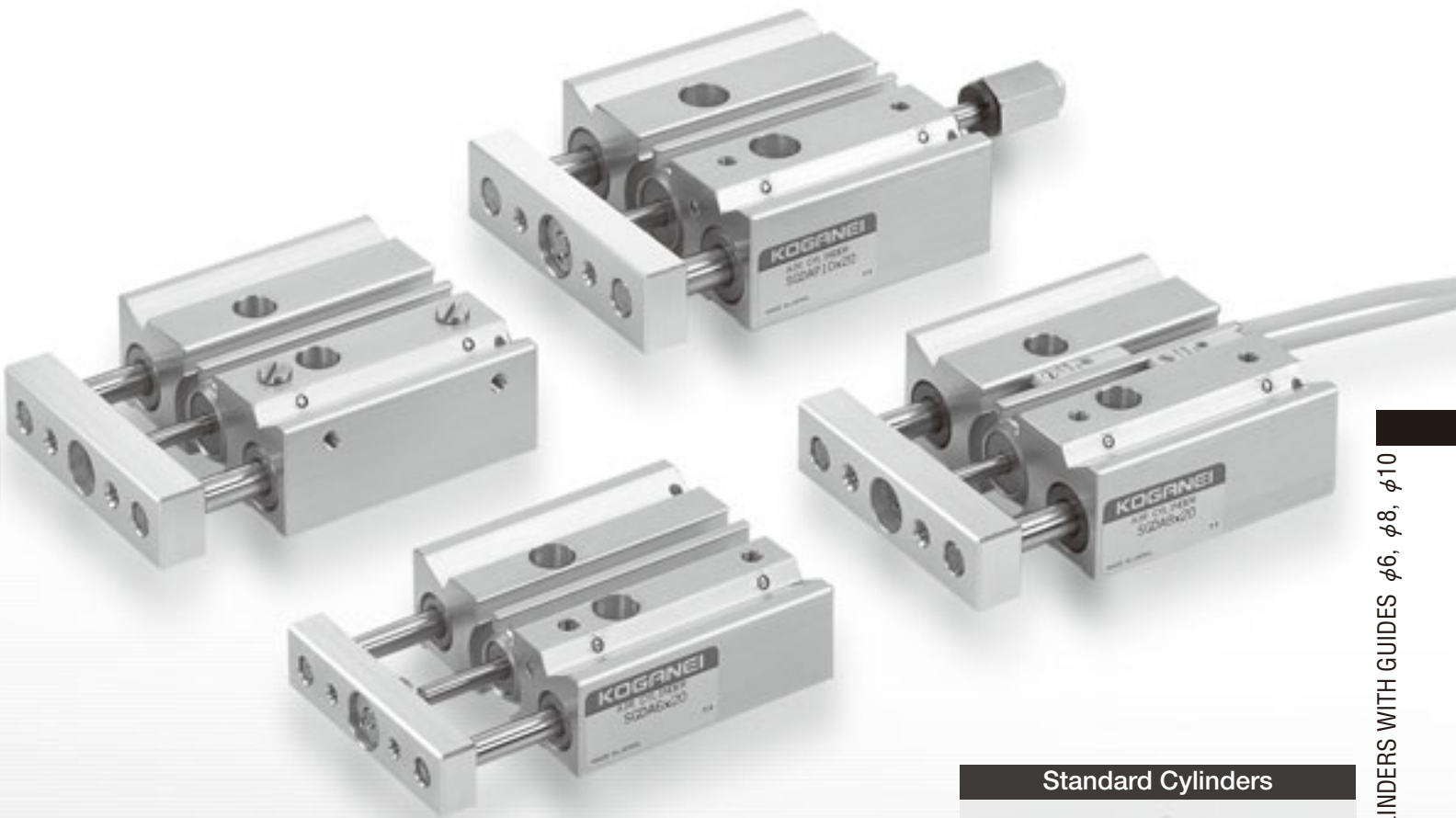


● Head mounting



● Bottom mounting





JIG CYLINDERS WITH GUIDES φ6, φ8, φ10



Caution

If you handle the grease used in the assembly of the low speed cylinders, be sure to carefully wash your hands afterwards. If you smoke a cigarette without first washing your hands, the grease may adhere to the cigarette and produce toxic gas by burning. (While the grease used in the low speed cylinder is chemically stable at room temperature, it will produce toxic gas when heated to more than 250°C [482°F].)

Standard Cylinders



Low Speed Cylinders



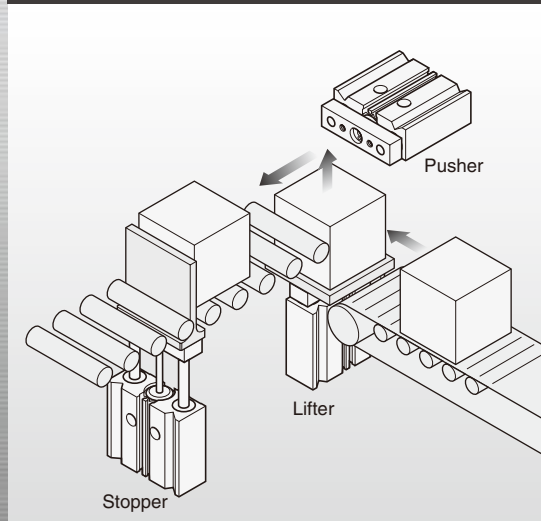
Stroke Adjusting Cylinders



Sensor Switches



Application Example



Handling Instructions and Precautions



General precautions

Allowable kinetic energy

When carrying an inertial load, always operate the cylinder at a kinetic energy at the allowable value or below.

For the relation between load and piston speed, see “Allowable Load Range” on p.688.

Piping

1. Always thoroughly blow off (use compressed air) the piping before connecting it to the Jig Cylinder with Guide. Entering chips, sealing tape, rust, etc., generated during piping work could result in air leaks or other defective operation.
2. When screwing piping or fittings into the Jig Cylinder with Guide, secure to the tightening torque shown below.

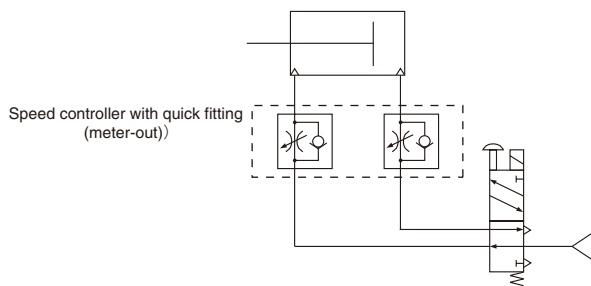
Connecting screw	Tightening torque N·m [in·lbf]
M3×0.5	0.59 [5.22]

3. See the diagram below for piping to low speed cylinders.

Recommended circuit

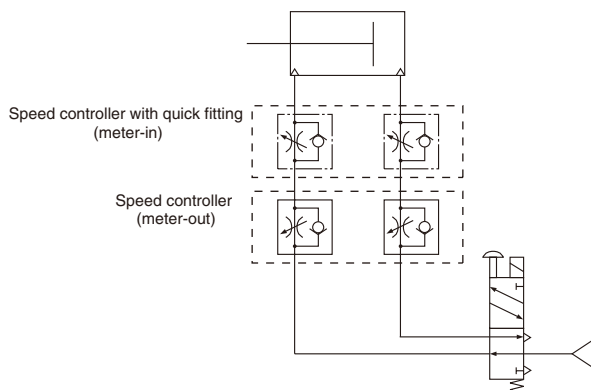
① Basic circuit

Use a meter-out speed controller.



② Popping out prevention circuit

As shown in the diagram below, a circuit with combined speed controllers is good for speed control and also for prevention of popping out.



Note: Position the cylinder and speed controller as close together as possible.

Handling Instructions and Precautions

Media

1. Use air for the media. For the use of any other media, consult us.
2. Air used for the cylinder should be clean air that contains no deteriorated compressor oil, etc. Install an air filter (filtration of a minimum 40 μm) near the cylinder or valve to remove collected liquid or dust. In addition, drain the air filter periodically. Collected liquid or dust entering the cylinder may cause improper operation.

Lubrication

Do not lubricate the low speed cylinder. Lubrication could lead to defective operation. While the standard cylinder and stroke adjusting cylinder can be used without lubrication, use Turbine Oil Class 1 (ISO VG32) or equivalent, if required. Avoid using spindle oil or machine oil.

Atmosphere

If using in locations subject to dripping water, dripping oil, etc., use a cover to protect the unit.

Environment

1. If using in locations subject to dripping water, dripping oil, etc., or to large amounts of dust, use a cover to protect the unit.
2. Do not use the cylinder in ambient atmospheres that could result in corrosion. Application in this kind of environment may result in damage or in improper operation.
3. Do not use in extremely dry conditions.
4. The most desirable temperature range for cylinders is 5~60°C [41~140°F]. Do not use in condition where temperatures exceed 60°C [140°F], as it could result in damage or in improper operation. In addition, since the water content at temperatures below 5°C [41°F] could freeze, resulting in damage or in improper operation, use caution to prevent freezing.

When in use

1. Do not place hands, etc., in the cylinder's operating range.
2. Pay full attention to the cylinder's operating direction during set up.
3. Take care to avoid trapping body or fingers between the cylinder body and the end plate when the cylinder retracts.
4. Confirm that no residual pressure remains inside the cylinder before commencing maintenance.
5. In its application as a stopper, it is assumed that the conveyed items will be cardboard boxes, plastic cases, etc. In cases where steel and other metal blocks are carried, select a sufficiently margined safer product or use a shock absorber with sufficient capacity.
6. Use the cylinder at speed of 500mm/s [19.7in./sec.] or less for standard cylinders and stroke adjusting cylinders, and 100mm/s [3.9in./sec.] or less for low speed cylinders. But when the speed and loads are high even within the allowable ranges, install an external stopper, etc., to ensure that the cylinder is not exposed to direct shocks.
7. Do not use **SGDA□Q** (rolling bearing type) as a stopper.
8. A sensor switch magnet is built into the cylinder. Mounting a sensor switch will enable to use in sensor switch applications.

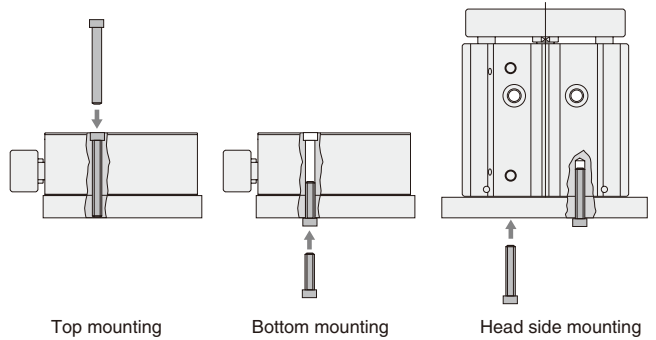
Caution: For the sensor switch mounting locations and moving sensor switch guidelines, see p.696.



Mounting

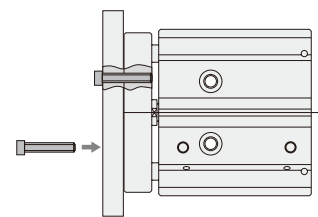
Mounting

1. While any mounting direction is allowed, the mounting surface should always be flat. Twisting or bending during mounting may reduce the accuracy and may also result in air leaks or improper operation.
2. Be aware that scratches or dents on the cylinder's mounting surface may damage its flatness.
3. In applications subject to large shocks, reinforcing the bolt mounting, by mounting a support to the cylinder body for example, is recommended.
4. Ensure that the mounting bolts for the cylinder body and end plate are sufficiently strong. Also, when mounting the body, tighten to an appropriate tightening torque within the allowable range.



Bore size mm [in.]	Top mounting		Bottom mounting		Head side mounting	
	Mounting bolt size	Maximum tightening torque (N·m) [ft·lbf]	Mounting bolt size	Maximum tightening torque (N·m) [ft·lbf]	Mounting bolt size	Maximum tightening torque (N·m) [ft·lbf]
6 [0.236]	M3×0.5	1.14 [0.84]	M4×0.7	1.50 [1.11]	M4×0.7	1.50 [1.11]
8 [0.315]	M3×0.5	1.14 [0.84]	M4×0.7	1.50 [1.11]	M4×0.7	1.50 [1.11]
10 [0.394]	M4×0.7	2.70 [1.99]	M5×0.8	3.00 [2.21]	M4×0.7	1.50 [1.11]

Bore size mm [in.]	Mounting workpiece	
	Mounting bolt size	Maximum tightening torque (N·m) [ft·lbf]
6 [0.236]	M3×0.5	1.14 [0.84]
8 [0.315]	M4×0.7	2.70 [1.99]
10 [0.394]	M4×0.7	2.70 [1.99]



Mounting a workpiece to the end plate

5. If bolts may be loosened by shocks or vibrations, take measures such as applying locktight.
6. Do not leave scratches or dents in the sliding section of the piston rod and the guide rod. It could result in damage to the seal or in air leaks.
7. The piston rod and guide rod are coated with grease. Do not wipe it off, as it may result in improper operation. Apply grease if no lubrication is visible.

Standard cylinders and stroke adjusting cylinders :
General type; Lithium grease No.2

Low speed cylinders : Fluorine grease for low speed

Caution: If you handle the grease used in the assembly of the low speed cylinders, be sure to carefully wash your hands afterwards. If you smoke a cigarette without first washing your hands, the grease may adhere to the cigarette and produce toxic gas by burning. (While the grease used in the low speed cylinders is chemically stable at room temperature, it will produce toxic gas when heated to more than 250°C [482°F].)

Cylinder Thrust

Select a suitable cylinder bore size considering the load and air pressure to obtain the required thrust.

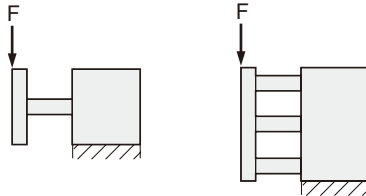
Since the figures in the table are calculated values, select a bore size that results in a load ratio (load ratio = $\frac{\text{Load}}{\text{Calculated value}}$) of 70% or less (50% or less for high speed application).



Bore size mm [in.]	Piston rod diameter mm [in.]	Operation	Pressure area mm ² [in ²]	Air pressure MPa [psi.]								
				0.2 [29]	0.3 [44]	0.4 [58]	0.5 [73]	0.6 [87]	0.7 [102]	0.8 [116]	0.9 [131]	1.0 [145]
6 [0.236]	3 [0.118]	Push side	28.3 [0.0439]	5.7 [1.28]	8.5 [1.91]	11.3 [2.54]	14.1 [3.17]	17.0 [3.83]	19.8 [4.46]	22.6 [5.09]	25.4 [5.72]	28.3 [6.37]
		Pull side	21.2 [0.0329]	4.2 [0.95]	6.4 [1.44]	8.5 [1.91]	10.6 [2.39]	12.7 [2.86]	14.8 [3.33]	17.0 [3.83]	19.1 [4.30]	21.2 [4.77]
		Stroke adjusting	21.2 [0.0329]	4.2 [0.95]	6.4 [1.44]	8.5 [1.91]	10.6 [2.39]	12.7 [2.86]	14.8 [3.33]	17.0 [3.83]	19.1 [4.30]	21.2 [4.77]
8 [0.315]	3 [0.118]	Push side	50.3 [0.0780]	10.1 [2.27]	15.1 [3.40]	20.1 [4.52]	25.1 [5.65]	30.2 [6.80]	35.2 [7.92]	40.2 [9.04]	45.2 [10.17]	50.3 [11.31]
		Pull side	43.2 [0.0670]	8.6 [1.94]	13.0 [2.93]	17.3 [3.89]	21.6 [4.86]	25.9 [5.83]	30.2 [6.80]	34.6 [7.79]	38.9 [8.75]	43.2 [9.72]
		Stroke adjusting	43.2 [0.0670]	8.6 [1.94]	13.0 [2.93]	17.3 [3.89]	21.6 [4.86]	25.9 [5.83]	30.2 [6.80]	34.6 [7.79]	38.9 [8.75]	43.2 [9.72]
10 [0.394]	4 [0.157]	Push side	78.5 [0.1217]	15.7 [3.53]	23.6 [5.31]	31.4 [7.07]	39.3 [8.84]	47.1 [10.60]	55.0 [12.36]	62.8 [14.12]	70.7 [15.89]	78.5 [17.65]
		Pull side	66.0 [0.1023]	13.2 [2.97]	19.8 [4.46]	26.4 [5.94]	33.0 [7.43]	39.6 [8.91]	46.2 [10.39]	52.8 [11.88]	59.4 [13.35]	66.0 [14.84]
		Stroke adjusting	66.0 [0.1023]	13.2 [2.97]	19.8 [4.46]	26.4 [5.94]	33.0 [7.43]	39.6 [8.91]	46.2 [10.39]	52.8 [11.88]	59.4 [13.35]	66.0 [14.84]

Allowable Lateral Load

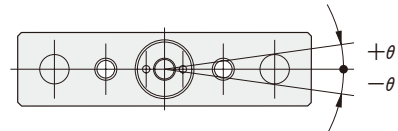
● Lateral load (F) on the rod end should be at or below the figures in the table below.



Bore size mm [in.]	Type	Stroke mm			
		5	10	15	20
6 [0.236]	Slide bearing type	7.2 [1.62]	6.0 [1.35]	5.1 [1.15]	4.5 [1.01]
	Rolling bearing type	9.4 [2.11]	7.9 [1.78]	6.8 [1.53]	6.0 [1.35]
8 [0.315]	Slide bearing type	11.7 [2.63]	10.0 [2.25]	8.8 [1.98]	7.8 [1.76]
	Rolling bearing type	19.4 [4.37]	16.7 [3.75]	14.7 [3.31]	13.1 [2.95]
10 [0.394]	Slide bearing type	19.9 [4.48]	17.3 [3.89]	15.4 [3.47]	13.8 [3.11]
	Rolling bearing type	25.7 [5.78]	22.5 [5.06]	19.9 [4.48]	17.9 [4.03]

Note: Figures in the table are static values. Consider the safety factor in accordance with operating conditions.

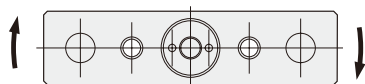
End Plate Non-rotating Accuracy θ



Bore size mm [in.]	SGDA, SGDAP	SGDAQ, SGDAPQ
6 [0.236]	$\pm 0.14^\circ$	$\pm 0.07^\circ$
8 [0.315]	$\pm 0.12^\circ$	$\pm 0.07^\circ$
10 [0.394]	$\pm 0.12^\circ$	$\pm 0.07^\circ$

Note: The above figures are obtained when cylinder is retracted (initial value) without load. Guide rod deflection is excluded.

Allowable Twisting Torque of the End Plate

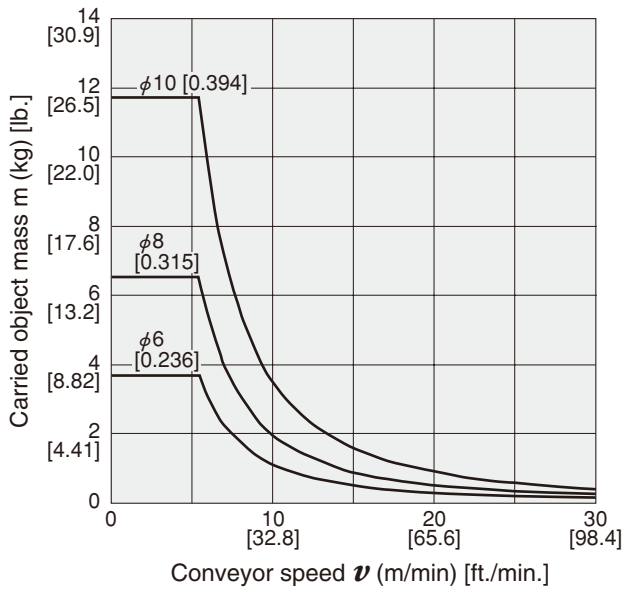


Bore size mm [in.]	Type	Stroke mm			
		5	10	15	20
6 [0.236]	Slide bearing type	0.054 [0.48]	0.045 [0.40]	0.038 [0.34]	0.034 [0.30]
	Rolling bearing type	0.071 [0.63]	0.059 [0.52]	0.051 [0.45]	0.045 [0.40]
8 [0.315]	Slide bearing type	0.099 [0.88]	0.085 [0.75]	0.075 [0.66]	0.066 [0.58]
	Rolling bearing type	0.165 [1.46]	0.142 [1.26]	0.125 [1.11]	0.111 [0.98]
10 [0.394]	Slide bearing type	0.189 [1.67]	0.164 [1.45]	0.146 [1.29]	0.131 [1.16]
	Rolling bearing type	0.244 [2.16]	0.214 [1.89]	0.189 [1.67]	0.170 [1.50]

Note: Figures in the table are static values. Consider the safety factor in accordance with the operating conditions.

Allowable Range when Used as a Stopper

$\phi 6$ [0.236] ~ $\phi 10$ [0.394] (Slide bearing)



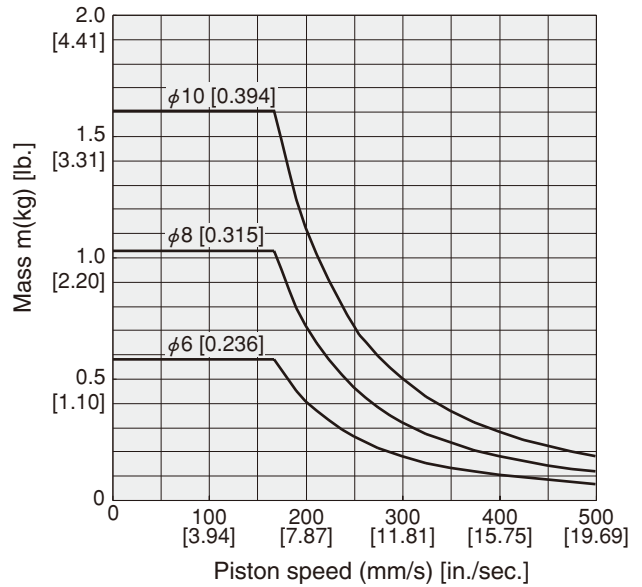
Precautions for handling

- Notes: 1. Figures assume that the carried objects are plastic containers.
- 2. The rolling bearing type cannot be used as a stopper.
- 3. When the stopper becomes subject to friction force produced by friction between the carried object and the conveyor, etc., keep the friction force at the allowable lateral load or less.

Allowable Load Range

Use the graph values below for the relation between the load and piston speed.

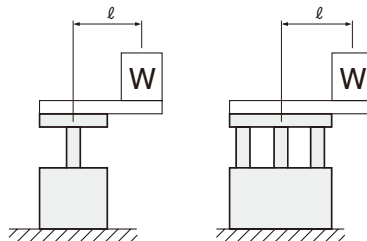
When these values are exceeded, install an external stopper.



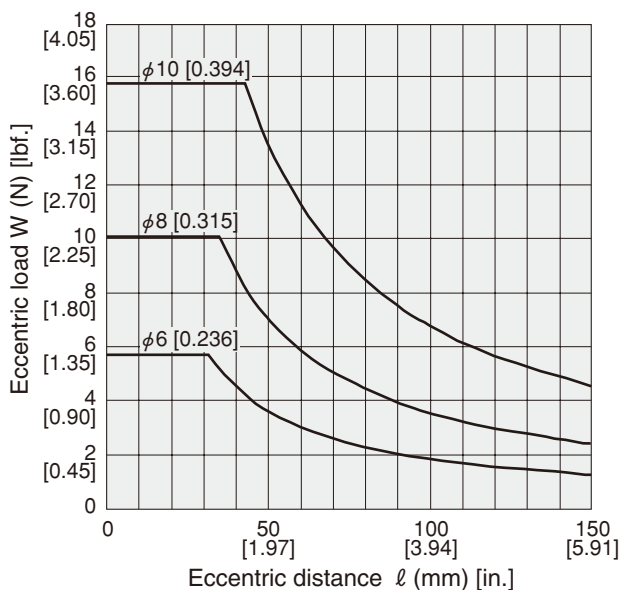
Allowable Range when Used as a Lifter

- Select a cylinder bore so that the total mass of the load is the theoretical output (in the graphs below) or less.

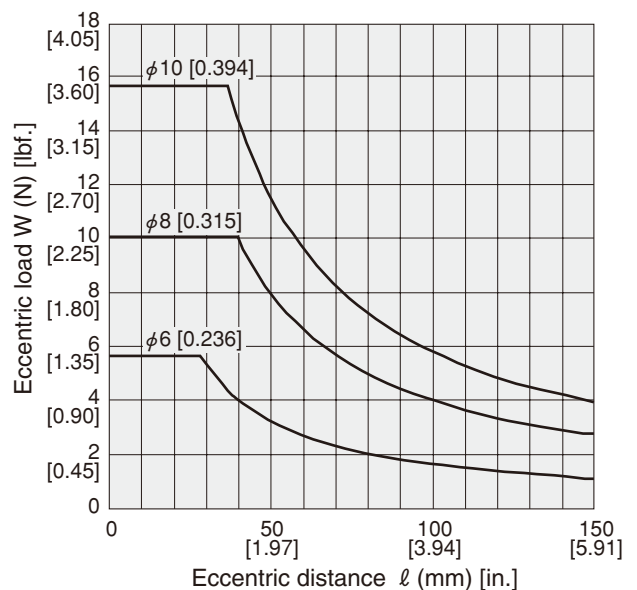
Bore size mm [in.]	Theoretical output
6 [0.236]	40% or less
8 [0.315]	
10 [0.394]	



Slide bearing type (applied pressure P = 0.5MPa [73psi.])



Rolling bearing type (applied pressure P = 0.5MPa [73psi.])

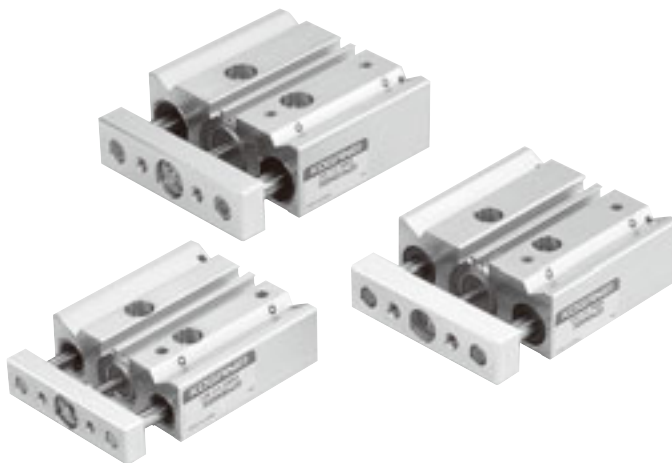
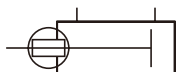


Note: Figures in the graphs are static values. Consider the safety factor in accordance with the operating conditions.

JIG CYLINDERS WITH GUIDES $\phi 6$, $\phi 8$ and $\phi 10$

Standard Cylinders

Symbol



Specifications

Standard Cylinders

Item	Bore size mm [in.]	6 [0.236]	8 [0.315]	10 [0.394]
Operation type		Double acting type		
Media		Air		
Operating pressure range	MPa [psi.]	0.2~1.0 [29~145]		
Proof pressure	MPa [psi.]	1.5 [218]		
Operating temperature range	°C [°F]	0~60 [32~140]		
Operating speed range	mm/s [in./sec.]	50~500 ^{Note} [2.0~19.7]		
Cushion		Rubber bumper		
Lubrication		Not required (If lubrication is required, use Turbine Oil Class 1 [ISO VG32] or equivalent.)		
Port size		M3×0.5		
Allowable energy	J [ft·lbf]	0.008 [0.006]	0.014 [0.010]	0.022 [0.016]
Maximum load mass	kg [lb.]	0.58 [1.28]	1.03 [2.27]	1.6 [3.53]
Standard strokes	mm	5, 10, 15, 20		
Maximum available stroke	mm	50		
Stroke tolerance	mm [in.]	${}^{+1.5}_{0}$ [${}^{+0.059}_{0}$]		

Note: Values are at operating pressure of 0.5MPa without load.

Order Codes

SG **DA** × - -

SG : Jig cylinder with guide

DA : Operation type
DA : Double acting type

Bearing specification
Blank : Slide bearing type
Q : Rolling bearing type

Bore size × Stroke

Port direction
Blank : Top side direction
R : Right side as viewed from the end plate
L : Left side as viewed from the end plate

Sensor switch type
ZE135 : Solid state type 2-lead wire DC10~28V Horizontal lead wire
ZE155 : Solid state type 3-lead wire DC4.5~28V Horizontal lead wire
ZE235 : Solid state type 2-lead wire DC10~28V Vertical lead wire
ZE255 : Solid state type 3-lead wire DC4.5~28V Vertical lead wire

Lead wire length
A : 1000mm [39in.]
B : 3000mm [118in.]

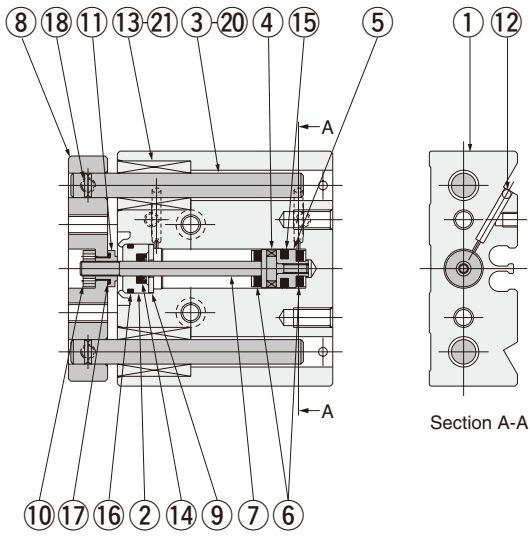
Number of sensor switches
1 : With 1 sensor switch
2 : With 2 sensor switches

Bore size	Strokes
6	5, 10, 15, 20
8	
10	

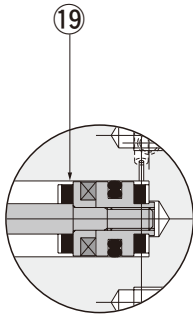
Inner Construction (cannot be disassembled)

Standard Cylinder

- SGDA6, 8
- SGDAQ6, 8



- SGDA10
- SGDAQ10



Major Parts and Materials

Standard Cylinder

No.	Parts	Bore size mm [in.]		
		6 [0.236]	8 [0.315]	10 [0.394]
①	Cylinder body	Aluminum alloy (anodized)		
②	Rod cover	Aluminum alloy (special wear-resistant treatment)		
③	Guide rod (slide bearing type)	Steel (hard chrome plated)	Stainless steel (hard chrome plated)	
④	Magnet	Neodymium magnet		
⑤	Piston	Aluminum alloy (special rust prevention treatment)		
⑥	Bumper	Synthetic rubber (urethane)		
⑦	Piston rod	Stainless steel		
⑧	End plate	Aluminum alloy (anodized)		
⑨	Seal holder	Aluminum alloy (special rust prevention treatment)	Mild steel (zinc plated)	
⑩	Nut A	Stainless steel		
⑪	Nut B	Stainless steel		
⑫	Steel ball	Stainless steel		
⑬	Slide bearing	Aluminum alloy (special wear-resistant treatment)		
⑭	Seal (rod)	Synthetic rubber (NBR)		
⑮	Seal (piston)	Synthetic rubber (NBR)		
⑯	O-ring	Synthetic rubber (NBR)		
⑰	O-ring	Synthetic rubber (NBR)		
⑱	Small screw	Steel	Stainless steel	
⑲	Support	—	—	Aluminum alloy
⑳	Guide rod (rolling bearing type)	Steel		
㉑	Rolling bearing	Steel, plastic		

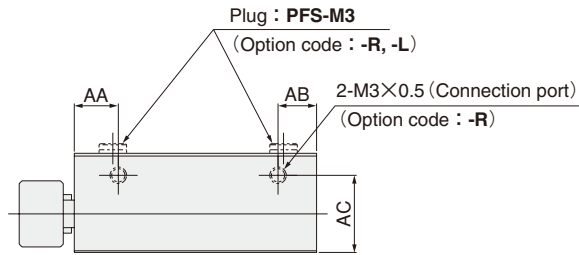
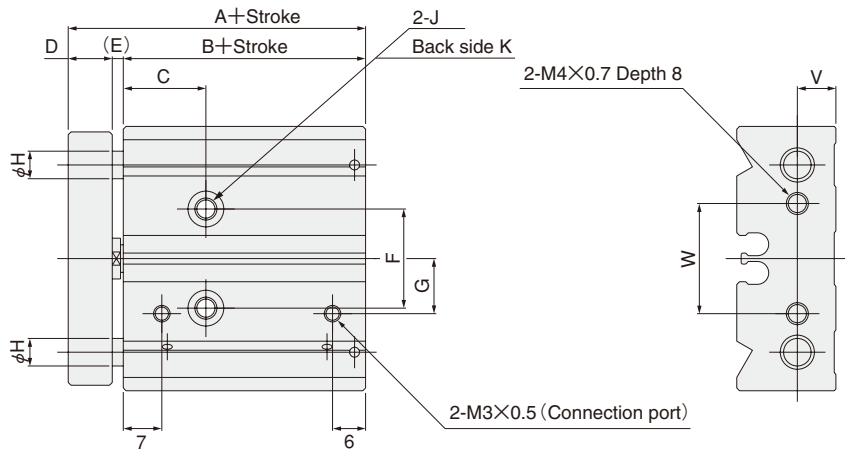
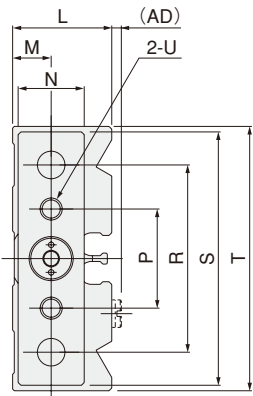
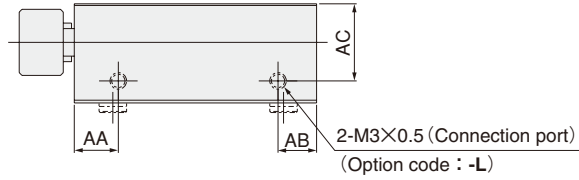
JIG CYLINDERS WITH GUIDES φ6, φ8, φ10

Mass

Bore size mm [in.]	Stroke mm	Slide bearing	Rolling bearing	Additional mass	
				Sensor switch (with 1 sensor switch)	
				ZE□□□A	ZE□□□B
6 [0.236]	5	66 [0.146]	67 [0.148]	15 [0.033]	35 [0.077]
	10	72 [0.159]	74 [0.163]		
	15	81 [0.179]	83 [0.183]		
	20	88 [0.194]	90 [0.198]		
8 [0.315]	5	100 [0.220]	104 [0.229]	15 [0.033]	35 [0.077]
	10	110 [0.242]	113 [0.249]		
	15	122 [0.269]	126 [0.278]		
	20	131 [0.289]	135 [0.298]		
10 [0.394]	5	140 [0.309]	141 [0.311]	15 [0.033]	35 [0.077]
	10	152 [0.335]	153 [0.337]		
	15	168 [0.370]	169 [0.373]		
	20	180 [0.397]	181 [0.399]		

Dimensions of Standard Cylinder (mm)

- SGDA 6, 8, 10
- SGDAQ 6, 8, 10



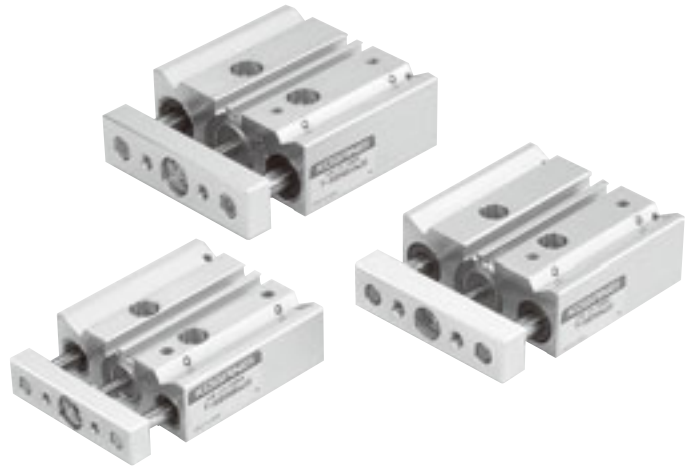
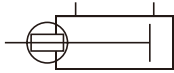
Code Model	A	B	C	D	E	F	G	H	J	K	L
SGDA6	31	23	15	6	2	16	8	4	φ 3.3 Counterbore φ 6.5 Depth 5	M4×0.7 Depth 6	15
SGDA8	34	24	15	8	2	18	10	5	φ 3.3 Counterbore φ 6.5 Depth 5	M4×0.7 Depth 6	18
SGDA10	36	26	16	8	2	20	10	6	φ 4.2 Counterbore φ 8 Depth 5	M5×0.8 Depth 10	20

Code Model	M	N	P	R	S	T	U	V	W	AA	AB	AC	AD
SGDA6	6	10	16	30	40	42	M3×0.5	6	18	9	6	11	2
SGDA8	7	12	18	34	46	48	M4×0.7	7	20	8	7	14	2
SGDA10	8	14	20	38	52	54	M4×0.7	8	22	9	7	16	2

JIG CYLINDERS WITH GUIDES $\phi 6$, $\phi 8$ and $\phi 10$

Low Speed Cylinders

Symbol



Specifications

Low Speed Cylinder

Item	Bore size mm [in.]	6 [0.236]			8 [0.315]			10 [0.394]		
Operation type		Double acting type								
Media		Air								
Operating pressure range	MPa [psi.]	0.2~1.0 [29~145]								
Proof pressure	MPa [psi.]	1.5 [218]								
Operating temperature range	°C [°F]	0~60 [32~140]								
Operating speed range	mm/s [in./sec.]	5~100 ^{Note} [0.2~3.9]								
Cushion		Rubber bumper								
Lubrication		Prohibited								
Port size		M3×0.5								
Allowable energy	J [ft·lbf]	0.008 [0.006]			0.014 [0.010]			0.022 [0.016]		
Maximum load mass	kg [lb.]	0.58 [1.28]			1.03 [2.27]			1.6 [3.53]		
Standard strokes	mm	5, 10, 15, 20								
Maximum available stroke	mm	50								
Push side stroke adjusting range	mm [in.]	$+1.5$ [$+0.059$] 0 [0]								

Note: Values are at operating pressure of 0.5MPa without load.

Order Codes

T - SG DA × - -

Low speed specification

Operation type
DA : Double acting type

Bearing specification
Blank : Slide bearing type
Q : Rolling bearing type

Bore size × Stroke

Port direction
R : Right side as viewed from the end plate
L : Left side as viewed from the end plate

Number of sensor switches
1 : With 1 sensor switch
2 : With 2 sensor switches

Lead wire length
A : 1000mm [39in.]
B : 3000mm [118in.]

Sensor switch type
ZE135 : Solid state type 2-lead wire DC10~28V
Horizontal lead wire
ZE155 : Solid state type 3-lead wire DC4.5~28V
Horizontal lead wire
ZE235 : Solid state type 2-lead wire DC10~28V
Vertical lead wire
ZE255 : Solid state type 3-lead wire DC4.5~28V
Vertical lead wire

mm

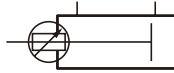
Bore size	Strokes
6	5, 10, 15, 20
8	
10	

● The inner construction and major parts, mass, and dimensions, are the same as for the standard cylinders. For details, see the standard cylinders on p.690~691.

JIG CYLINDERS WITH GUIDES $\phi 6$, $\phi 8$ and $\phi 10$

Stroke Adjusting Cylinders

Symbol



Specifications

Stroke Adjusting Cylinder

Item	Bore size mm [in.]	6 [0.236]			8 [0.315]			10 [0.394]		
Operation type		Double acting type								
Media		Air								
Operating pressure range	MPa [psi.]	0.2~1.0 [29~145]								
Proof pressure	MPa [psi.]	1.5 [218]								
Operating temperature range	°C [°F]	0~60 [32~140]								
Operating speed range	mm/s [in./sec.]	50~500 ^{Note} [2.0~19.7]								
Cushion		Rubber bumper								
Lubrication		Not required (If lubrication is required, use Turbine Oil Class 1 [ISO VG32] or equivalent.)								
Port size		M3×0.5								
Allowable energy	J [ft·lbf]	0.008 [0.006]			0.014 [0.010]			0.022 [0.016]		
Maximum load mass	kg [lb.]	0.58 [1.28]			1.03 [2.27]			1.6 [3.53]		
Standard strokes	mm	5, 10, 15, 20								
Maximum available stroke	mm	50								
Push side stroke adjusting range	mm [in.]	0~5 [0~0.20] (In relation to the specification stroke)								

Note: Values are at operating pressure of 0.5MPa without load.

Order Codes

SG DA P [] × [] - [] - [] [] []

SG : Jig cylinder with guide

DA : Operation type
DA : Double acting type

P : Stroke adjusting
P : Push side stroke adjusting type

[] : Bearing specification
Blank : Slide bearing type
Q : Rolling bearing type

× : Bore size × Stroke

[] : Port direction
Blank : Top side direction
R : Right side as viewed from the end plate
L : Left side as viewed from the end plate

[] : Sensor switch type
ZE135 : Solid state type 2-lead wire DC10~28V Horizontal lead wire
ZE155 : Solid state type 3-lead wire DC4.5~28V Horizontal lead wire
ZE235 : Solid state type 2-lead wire DC10~28V Vertical lead wire
ZE255 : Solid state type 3-lead wire DC4.5~28V Vertical lead wire

[] : Number of sensor switches
1 : With 1 sensor switch
2 : With 2 sensor switches

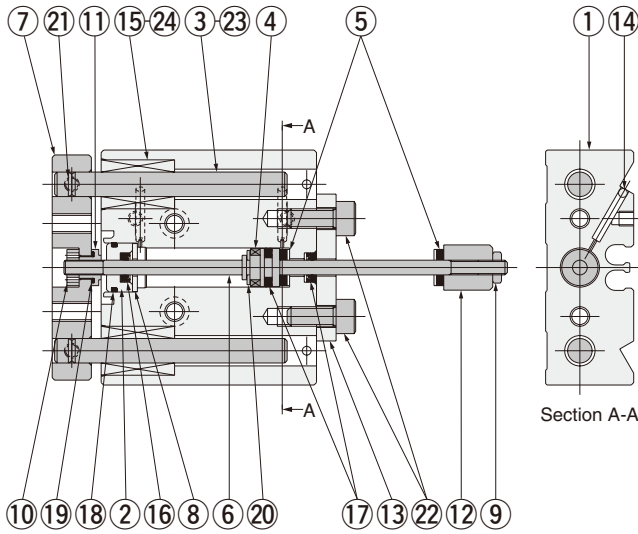
[] : Lead wire length
A : 1000mm [39in.]
B : 3000mm [118in.]

Bore size	Strokes
6	5, 10, 15, 20
8	
10	

Inner Construction (cannot be disassembled)

Stroke Adjusting Cylinder

SGDAP 6, 8, 10



Major Parts and Materials

Stroke Adjusting Cylinder

No.	Parts	Bore size mm [in.]		
		6 [0.236]	8 [0.315]	10 [0.394]
①	Cylinder body	Aluminum alloy (anodized)		
②	Rod cover	Aluminum alloy (special wear-resistant treatment)		
③	Guide rod (slide bearing type)	Steel (hard chrome plated)	Stainless steel (hard chrome plated)	
④	Magnet	Neodymium magnet		
⑤	Bumper	Synthetic rubber (urethane)		
⑥	Piston rod	Stainless steel		
⑦	End plate	Aluminum alloy (anodized)		
⑧	Seal holder	Aluminum alloy (special rust prevention treatment)	Mild steel (zinc plated)	
⑨	Hexagon nut	Mild steel (nickel plated)		
⑩	Nut A	Stainless steel		
⑪	Nut B	Stainless steel		
⑫	Adjusting nut	Mild steel (nickel plated)		
⑬	Stopper	Aluminum alloy (anodized)		
⑭	Steel ball	Stainless steel		
⑮	Slide bearing	Aluminum alloy (special wear-resistant treatment)		
⑯	Seal (rod)	Synthetic rubber (NBR)		
⑰	Seal (piston)	Synthetic rubber (NBR)		
⑱	O-ring	Synthetic rubber (NBR)		
⑲	O-ring	Synthetic rubber (NBR)		
⑳	Snap ring	Stainless steel		
㉑	Small screw	Steel	Stainless steel	
㉒	Bolt	Stainless steel		
㉓	Guide rod (rolling bearing type)	Steel		
㉔	Rolling bearing	Steel, plastic		

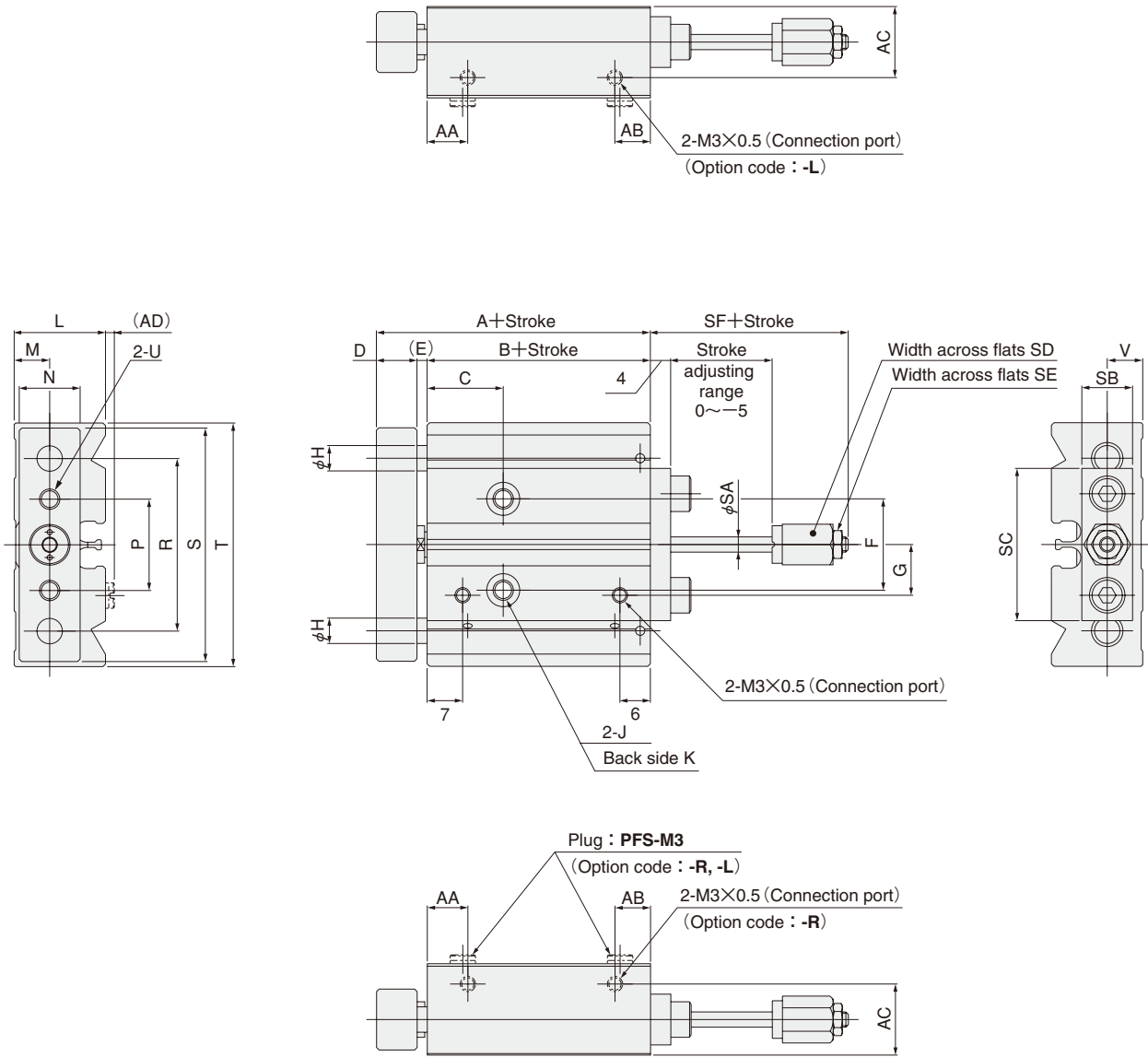
JIG CYLINDERS WITH GUIDES φ6, φ8, φ10

Mass

Bore size mm [in.]	Stroke mm	Slide bearing	Rolling bearing	Additional mass g [lb.]	
				Sensor switch (with 1 sensor switch)	
				ZE□□□A	ZE□□□B
6 [0.236]	5	78 [0.172]	80 [0.176]	15 [0.033]	35 [0.077]
	10	86 [0.190]	87 [0.192]		
	15	95 [0.209]	96 [0.212]		
	20	102 [0.225]	104 [0.229]		
8 [0.315]	5	115 [0.254]	118 [0.260]	15 [0.033]	35 [0.077]
	10	124 [0.273]	128 [0.282]		
	15	137 [0.302]	140 [0.309]		
	20	147 [0.324]	150 [0.331]		
10 [0.394]	5	162 [0.357]	163 [0.359]	15 [0.033]	35 [0.077]
	10	175 [0.386]	176 [0.388]		
	15	192 [0.423]	193 [0.425]		
	20	204 [0.450]	205 [0.452]		

Dimensions of Stroke Adjusting Cylinder (mm)

- SGDAP 6, 8, 10
- SGDAPQ 6, 8, 10



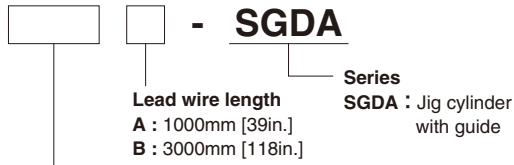
Model	Code	A	B	C	D	E	F	G	H	J	K	L	M	N	P	R
SGDAP6	31	23	15	6	2	16	8	4	φ 3.3 Counterbore φ 6.5 Depth 5	M4×0.7 Depth 6	15	6	10	16	30	
SGDAP8	34	24	15	8	2	18	10	5	φ 3.3 Counterbore φ 6.5 Depth 5	M4×0.7 Depth 6	18	7	12	18	34	
SGDAP10	36	26	16	8	2	20	10	6	φ 4.2 Counterbore φ 8 Depth 5	M5×0.8 Depth 10	20	8	14	20	38	

Model	Code	S	T	U	V	AA	AB	AC	AD	SA	SB	SC	SD	SE	SF
SGDAP6	40	42	M3×0.5	6	9	6	11	2	3	8	28	8	5.5	19	
SGDAP8	46	48	M4×0.7	7	8	7	14	2	3	10	30	8	5.5	19	
SGDAP10	52	54	M4×0.7	8	9	7	16	2	4	12	32	10	7	22	

SENSOR SWITCHES

Solid State Type

Order Codes



Sensor switch type

- ZE135** : Solid state type 2-lead wire DC10~28V Horizontal lead wire
- ZE155** : Solid state type 3-lead wire DC4.5~28V Horizontal lead wire
- ZE235** : Solid state type 2-lead wire DC10~28V Vertical lead wire
- ZE255** : Solid state type 3-lead wire DC4.5~28V Vertical lead wire

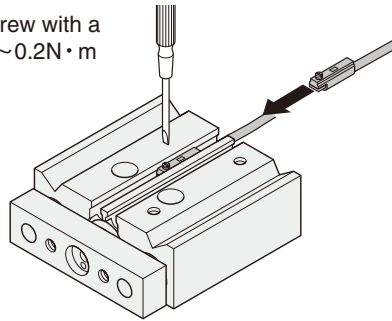
● For details of sensor switches, see p.1544.

Minimum Cylinder Strokes When Using Sensor Switches

● Solid state type		mm [in.]		
Item	Bore	6 [0.236]	8 [0.315]	10 [0.394]
Mounting 1 switch			1.5 [0.059]	
Mounting 2 switches			3 [0.118]	

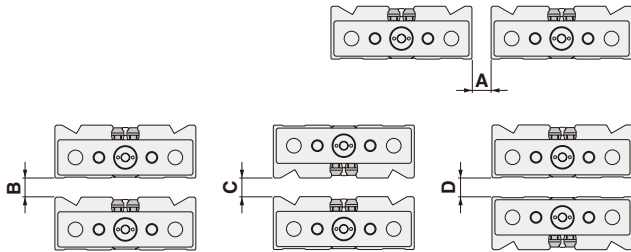
Moving Sensor Switch

- Loosening mounting screw allows the sensor switch to be moved along the switch mounting groove of the Jig Cylinder with Guide.
- Tighten the mounting screw with a tightening torque of 0.1~0.2N·m [0.9~1.8in·lbf].



When Mounting Cylinders with Sensor Switches in Close Proximity

When mounting cylinders in close proximity, install the cylinder so that it exceeds the values in the table below.



● When mounting cylinders with sensor switches in close proximity

Bore size		mm [in.]			
Item	Bore size	A	B	C	D
	6 [0.236]	0	6 [0.24]	3 [0.12]	0
	8 [0.315]	0	5 [0.20]	2 [0.08]	0
	10 [0.394]	0	12 [0.47]	8 [0.31]	0

Sensor Switch Operating Range, Response Differential, and Maximum Sensing Location

● Operating range: ℓ

The distance the piston travels in one direction, while the switch is in the ON position.

● Response differential: C

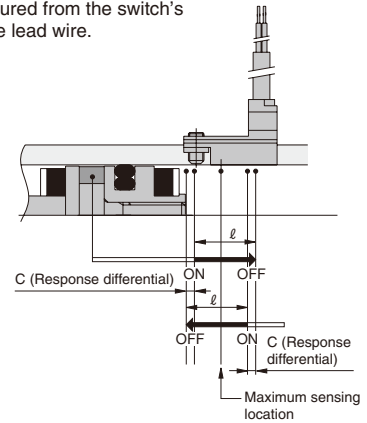
The distance between the point where the piston turns the switch ON and the point where the switch is turned OFF as the piston travels in the opposite direction.

● Solid state type

Item	Bore size	6 [0.236]	8 [0.315]	10 [0.394]
Operating range: ℓ		1.8~3.0 [0.071~0.118]	1.8~3.0 [0.071~0.118]	2.0~3.2 [0.079~0.126]
Response differential: C		0.2 [0.008] or less		
Maximum sensing location	Note	6 [0.236]		

Remark: The above table shows reference values.

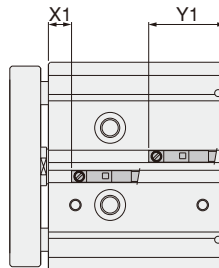
Note: This is the length measured from the switch's opposite end side to the lead wire.



Mounting Location of End of Stroke Detection Sensor Switch

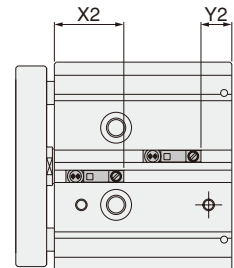
When the sensor switch is mounted in the locations shown in the diagram (the figures in the tables are reference values), the magnet comes to the maximum sensing location of the sensor switch at the end of the stroke.

● When lead wire comes to head side



Bore size		mm [in.]		
Item	Bore size	6 [0.236]	8 [0.315]	10 [0.394]
X1		6 [0.236]	5.5 [0.217]	6 [0.236]
Y1		17 [0.669]	18.5 [0.728]	20 [0.787]

● When lead wire comes to rod side



Bore size		mm [in.]		
Item	Bore size	6 [0.236]	8 [0.315]	10 [0.394]
X2		18 [0.709]	17.5 [0.689]	18 [0.709]
Y2		5 [0.197]	6.5 [0.256]	8 [0.315]



CAD drawing data catalog
is available.



KOGANEI

ACTUATORS GENERAL CATALOG

JIG CYLINDERS WITH GUIDES

$\phi 12 \sim \phi 63$

CONTENTS

Features	699
Handling Instructions and Precautions	701
Standard Cylinders	
Specifications	706
Order Codes	707
Inner Construction and Major Parts	708
Dimensions	710
Stroke Adjusting Cylinders	
Specifications	714
Order Codes	715
Inner Construction and Major Parts	716
Dimensions	718
End Keep Cylinders	
Specifications	720
Order Codes	721
Inner Construction and Major Parts	722
Dimensions	724
Cylinders for Clean Systems	
Specifications	728
Order Codes	729
Inner Construction and Major Parts	730
Dimensions	732
Sensor Switches	733

JIG CYLINDERS WITH GUIDES $\phi 12 \sim \phi 63$



Caution

Before use, be sure to read the "Safety Precautions" on p. 57.

Square, thin body allows selection of mounting and piping direction, and expands flexibility of device design.

JIG CYLINDERS WITH GUIDES

$\phi 12 \sim \phi 63$

■ Select guide rod bearing according to application

Wide range includes scraper specification to prevent dust from entering.

1. Slide bearing type

Superior wear resistance makes it optimum for stopper or other devices needing resistance to lateral loads with shocks.

2. Rolling bearing type

Smooth operation with high precision makes it optimum for pushers and lifters.

■ Enables piping from 2 directions

Rational device design allows selection of piping location according to the mounting environment. In addition, the piping for dust collection ports used in cylinders for clean systems can also be approached from 2 directions.

■ Cylinders for clean systems also in line-up

Cleanliness rating corresponds to Class 5 (FED-STD209E Class 100 equivalent) (according to Koganei test standards).

■ Slender-figured sensor switch

Magnets for sensor switches are standard on all models. Embedded shape avoids protrusion of switches, to simplify mounting in tight spaces.

■ End keep cylinder also available

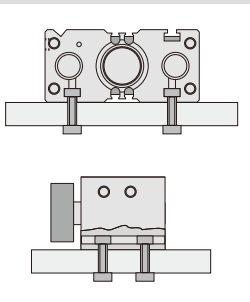
End keep mechanism supports stable operation in the vertical direction to prevent workpiece from falling caused by shut off in the air supply or any decrease of air pressure.

■ Four types of mounting possible

■ Non-ion as a Standard

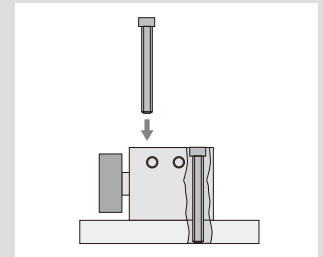
Can be used on Cathode-ray tube (CRT) manufacturing lines, etc., since copper materials are not used. (Except cylinders for clean systems)

● T-slot mounting groove

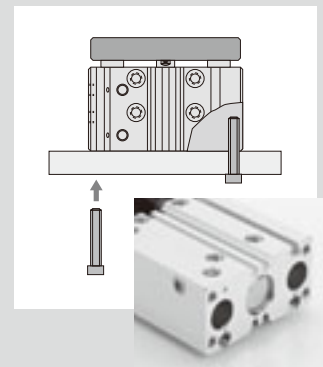


● Sensor switch mounting groove

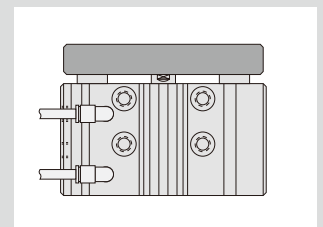
● Top mounting



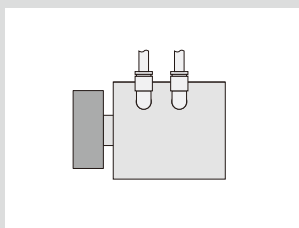
● Bottom mounting



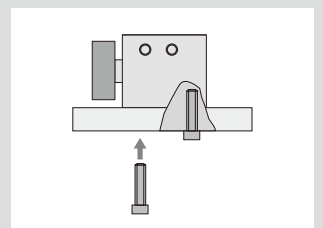
● Upper piping



● Side piping



● Side mounting



Slim & Compact shape
JIG CYLINDERS WITH GUIDES
 Optimum for conveyor line stoppers or lifters.
 Moreover, end keep mechanism
 for greater use!

SQUARE FLEXIBLE POWERFUL

■ Standard Cylinders



■ Stroke Adjusting Cylinders



■ End Keep Cylinders



● Stroke Adjusting Cylinders



Adjusting rod can be used to adjust the range of the push-side stroke by 0~10mm [0~0.394in.].

● End Keep Cylinders

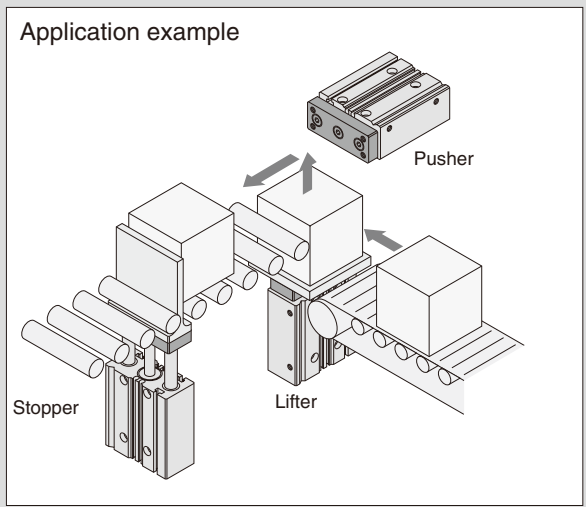


Flat shape prevents the keep portion from protruding from the side surface, to allow easy mounting in tight spaces.

■ Cylinders for Clean Systems



■ Sensor Switches



JIG CYLINDERS WITH GUIDES $\phi 12 \sim \phi 63$

Handling Instructions and Precautions

Mounting

1. While any mounting direction is allowed, the mounting surface should always be flat. Twisting or bending during mounting may disturb the accuracy and may also result in air leaks or improper operation.
2. Care should be taken that scratches or dents on the cylinder's mounting surface may damage its flatness.
3. The hexagon socket head bolt on the rod end plate has been secured with adhesive. Always confirm that the rod end plate and hexagon socket head bolts are secured before using the cylinder.
4. In applications subject to large shocks, reinforcing the bolt mounting, by installing a support to the cylinder body for example, is recommended.
5. Ensure that the mounting bolts for the cylinder body and end plate are sufficiently strong.
6. Take preventive measures when shocks or vibrations might loosen the bolts.
7. Do not leave scratches or dents in the areas where the piston rod and the guide rod contact. It could result in damage to the seal or in air leaks.
8. The piston rod and guide rod are coated with grease. Do not wipe it off, as it may result in improper operation. Apply grease if no lubrication is visible.
Grease: General type; Lithium grease No. 2

Sensor switch

The magnet for sensor switches is built into the cylinder. Mounting sensor switch will enable use in sensor switch applications.

Caution: For the sensor switch mounting location and moving instructions, see p.734.

Atmosphere

1. If using in locations subject to dripping water, dripping oil, etc., or to large amounts of dust, use a cover to protect the unit.
2. Do not use the cylinder in ambient atmospheres that could result in corrosion. Application in this kind of environment may result in damage or in improper operation.
3. Do not use in extremely dry conditions.
4. The most desirable temperature range for cylinders is 5~60°C [41~140°F]. Do not use in condition where temperatures exceed 60°C [140°F], as it could result in damage or in improper operation. In addition, since the moisture content at temperatures below 5°C [41°F] could freeze, resulting in damage or in improper operation, care should be taken to prevent freezing.

General precautions

1. Always thoroughly blow off (use compressed air) the tubing before piping. Entering chips, sealing tape, rust, etc., generated during piping work could result in air leaks or other defective operation.
2. Air used for the cylinder should be clean air that contains no deteriorated compressor oil, etc. Install an air filter (filtration of a minimum 40 µm) near the cylinder or valve to remove collected liquid or dust. In addition, drain the air filter periodically. Collected liquid or dust entering the cylinder may cause improper operation.
3. The product can be used without lubrication, if lubrication is required, use Turbine Oil Class 1 (ISO VG32) or equivalent. Avoid using spindle oil or machine oil.

When in use

1. Do not place hands, etc., in the cylinder's operating range.
2. Pay full attention to the cylinder operating direction during set up.
3. Care should be taken to avoid trapping body or fingers between the cylinder body and the end plate when the cylinder retracts.
4. Confirm that no residual pressure remains inside the cylinder before commencing maintenance.
5. In its application as a stopper, it is assumed that the carried objects will be cardboard boxes, plastic cases, etc. In cases where steel and other metal blocks are carried, select a sufficiently margined safer product or take measures to fully absorb the impacts.
6. Use the cylinder at speed of 500mm/s [19.7in./sec.] or less. But when the speed and loads are high even within the allowable ranges, install an external stopper, etc., to ensure that the cylinder is not exposed to direct shocks.
7. Do not use **SGDA□Q** (rolling bearing type) as a stopper.

Handling Instructions and Precautions

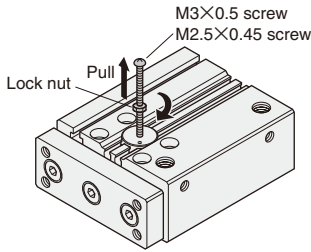
Control circuit for the end keep cylinder

1. For control of the Jig End Keep Cylinder with Guide, we recommend the use of 2-position, 4-, 5-port valves. Avoid the use of control circuit with ABR connection (exhaust center) 3-position valves that exhaust air from 2 delivery ports.
2. Always use meter-out control for speed control. Meter-in control may result in failure of the locking mechanism to release.

- Cautions:**
1. It is dangerous to supply air to a connection port on a side with a locking mechanism while the cylinder has already been exhausted, because the piston rod may suddenly extend (or retract). In addition, since the lock piston could also cause galling of the lock piston and piston rod, resulting in defective operation. Always supply air to the connection port on the opposite side of the locking mechanism to ensure applying back pressure.
 2. When restarting operations after air has been exhausted from the cylinder due to completion of operations or to an emergency stop, always start by supplying air to a connection port on the opposite side of the locking mechanism.
 3. Connect the valve port A (NC) to the connection port on the side with the locking mechanism.

Manual operation of locking mechanism

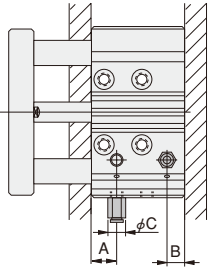
While the locking mechanism is normally released automatically through cylinder operations, it can also be released manually. For manual release, insert an M3×0.5 (φ 12, 16 is M2.5×0.45) screw that has 30mm [1.18in.] screw length into the opening for manual override, thread it in about 3 turns into the internal lock piston, and then pull up the screw. To maintain the manual override for adjustment, etc., thread the locknut onto the screw and, with the locking mechanism in a released state, tighten the locknut against the cylinder.



- Cautions:**
1. It is dangerous to release the lock when load (weight) is present on the piston rod, because it may cause the unintended piston rod's extension (or retraction). In this case, always supply air to the connection port opposite the one adjacent to the locking mechanism before releasing the locking mechanism.
 2. If the locking mechanism cannot easily be released even with manual override, it could be the result of galling of the lock piston and piston rod. In this case, supply air to the connection port opposite the one adjacent to the locking mechanism before releasing the locking mechanism.
 3. Water, oil, dust, etc., intruding through the opening for manual override may be a cause of defective locks or other erratic operation. If using in locations subject to dripping water, dripping oil, etc., or large amounts of dust, use a cover to protect the unit.

Precautions for Mounting of Fittings

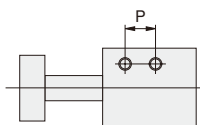
● In the installation shown in the diagram below, be aware of the fitting outer diameter.



Bore size	Port size	Port location		Fitting outer diameter
		A	B	φ C
12 [0.472]	M5×	9 [0.354]	6 [0.236]	φ 11 [0.433] or less
16 [0.630]	0.8		7.5 [0.295]	φ 13 [0.512] or less
20 [0.787]	Rc1/8	11 [0.433]	10 [0.394]	φ 19 [0.748] or less
25 [0.984]			12 [0.472]	
32 [1.260]	Rc1/8	10 [0.394]	12 [0.472]	φ 19 [0.748] or less
40 [1.575]			14 [0.551]	φ 25 [0.984] or less
50 [1.969]	Rc1/4	10 [0.394]	15 [0.591]	φ 19 [0.748] or less
63 [2.480]			14 [0.551]	

※ Positions A and B are dimensions of the port location closer to the end surface of the body.

● In products with a stroke of 10mm, be aware of the P dimension when using the side ports.

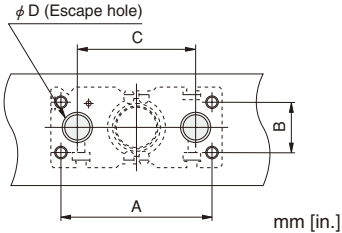
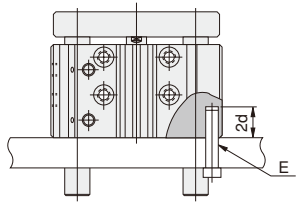


Bore size	Port size	Between-ports dimension	Fitting outer diameter
		P	φ C
12 [0.472]	M5×	12 [0.472]	φ 11 [0.433] or less
16 [0.630]	0.8		
20 [0.787]	Rc1/8	15 [0.591]	φ 14 [0.551] or less
25 [0.984]			
32 [1.260]	Rc1/4	16 [0.630]	φ 15 [0.591] or less
40 [1.575]			
50 [1.969]			
63 [2.480]			

Caution: Apply sealants when re-using a block-off plug. Avoid getting sealant into the cylinder.

Precautions When Bottom Mounting

- Drill the guide rod escape hole when the stroke is 75mm or longer (except for SGDA□ 12).
- When using as a stopper, etc., subject to shocks, the mounting screw's mating thread length should be as close to 2d as possible.

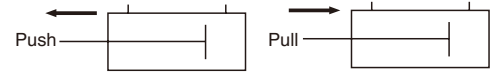


Bore size	A	B	C	φ D		Bolt E for mounting
				SGDA□ Slide bearing	SGDA□Q Rolling bearing	
12 [0.472]	51 [2.008]	18 [0.709]	42 [1.654]	10 [0.394]	8 [0.315]	M4×0.7
16 [0.630]	60 [2.362]	20 [0.787]	47 [1.850]	12 [0.472]	10 [0.394]	M5×0.8
20 [0.787]	72 [2.835]	26 [1.024]	58 [2.283]	16 [0.630]	14 [0.551]	M6×1
25 [0.984]	80 [3.150]	30 [1.181]	63 [2.480]	18 [0.709]	16 [0.630]	M6×1
32 [1.260]	100 [3.937]	34 [1.339]	80 [3.150]	22 [0.866]	18 [0.709]	M8×1.25
40 [1.575]	106 [4.173]	40 [1.575]	90 [3.543]	22 [0.866]	18 [0.709]	M8×1.25
50 [1.969]	130 [5.118]	44 [1.732]	110 [4.331]	27 [1.063]	22 [0.866]	M10×1.5
63 [2.480]	144 [5.669]	44 [1.732]	122 [4.803]	27 [1.063]	22 [0.866]	M10×1.5

JIG CYLINDERS WITH GUIDES φ12~φ63

Cylinder Thrust

Select a suitable cylinder bore size considering the load and air pressure to obtain the required thrust. Since the figures in the table are calculated values, select a bore size that results in a load ratio (load ratio = $\frac{\text{Load}}{\text{Calculated value}}$) of 70% or less (50% or less for high speed application).

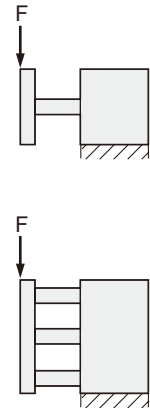


Bore size mm [in.]	Piston rod diameter mm [in.]	Operation	Pressure area mm ² [in. ²]	Air pressure MPa [psi.]									
				0.1 [15]	0.2 [29]	0.3 [44]	0.4 [58]	0.5 [73]	0.6 [87]	0.7 [102]	0.8 [116]	0.9 [131]	1.0 [145]
12 [0.472]	6 [0.236]	Push side	113.0 [0.1752]	11.3 [2.54]	22.6 [5.08]	33.9 [7.62]	45.2 [10.2]	56.5 [12.7]	67.8 [15.2]	79.1 [17.8]	90.4 [20.3]	101.7 [22.86]	113.0 [25.40]
		Pull side	84.8 [0.1314]	8.5 [1.91]	17.0 [3.82]	25.4 [5.71]	33.9 [7.62]	42.4 [9.53]	50.9 [11.4]	59.3 [13.3]	67.8 [15.2]	76.3 [17.15]	84.8 [19.06]
		Stroke adjustment	84.8 [0.1314]	8.5 [1.91]	17.0 [3.82]	25.4 [5.71]	33.9 [7.62]	42.4 [9.53]	50.9 [11.4]	59.3 [13.3]	67.8 [15.2]	76.3 [17.15]	84.8 [19.06]
16 [0.630]	8 [0.315]	Push side	201.0 [0.3116]	20.1 [4.52]	40.2 [9.04]	60.3 [13.6]	80.4 [18.1]	100.5 [22.59]	120.6 [27.11]	140.7 [31.63]	160.8 [36.15]	180.9 [40.67]	201.0 [45.18]
		Pull side	150.7 [0.2336]	15.1 [3.39]	30.1 [6.77]	45.2 [10.2]	60.3 [13.6]	75.4 [16.95]	90.4 [20.32]	105.5 [23.72]	120.6 [27.11]	135.6 [30.48]	150.7 [33.88]
		Stroke adjustment	150.7 [0.2336]	15.1 [3.39]	30.1 [6.77]	45.2 [10.2]	60.3 [13.6]	75.4 [16.95]	90.4 [20.32]	105.5 [23.72]	120.6 [27.11]	135.6 [30.48]	150.7 [33.88]
20 [0.787]	10 [0.394]	Push side	314.0 [0.4867]	31.4 [7.06]	62.8 [14.1]	94.2 [21.2]	125.6 [28.23]	157.0 [35.29]	188.4 [42.35]	219.8 [49.41]	251.2 [56.47]	282.6 [63.53]	314.0 [70.59]
		Pull side	235.5 [0.3650]	23.6 [5.31]	47.1 [10.6]	70.7 [15.9]	94.2 [21.18]	117.8 [26.48]	141.3 [31.76]	164.9 [37.07]	188.4 [42.35]	212.0 [47.66]	235.5 [52.94]
		Stroke adjustment	235.5 [0.3650]	23.6 [5.31]	47.1 [10.6]	70.7 [15.9]	94.2 [21.18]	117.8 [26.48]	141.3 [31.76]	164.9 [37.07]	188.4 [42.35]	212.0 [47.66]	235.5 [52.94]
25 [0.984]	12 [0.472]	Push side	490.6 [0.7604]	49.1 [11.0]	98.1 [22.1]	147.2 [33.09]	196.3 [44.13]	245.3 [55.14]	294.4 [66.18]	343.4 [77.20]	392.5 [88.24]	441.6 [99.27]	490.6 [110.3]
		Pull side	377.6 [0.5853]	37.8 [8.50]	75.5 [17.0]	113.3 [25.47]	151.0 [33.94]	188.8 [42.44]	226.6 [50.94]	264.3 [59.41]	302.1 [67.91]	339.8 [76.39]	377.6 [84.89]
		Stroke adjustment	377.6 [0.5853]	37.8 [8.50]	75.5 [17.0]	113.3 [25.47]	151.0 [33.94]	188.8 [42.44]	226.6 [50.94]	264.3 [59.41]	302.1 [67.91]	339.8 [76.39]	377.6 [84.89]
32 [1.260]	16 [0.630]	Push side	803.8 [1.2459]	80.4 [18.1]	160.8 [36.15]	241.2 [54.22]	321.5 [72.27]	401.9 [90.35]	482.3 [108.4]	562.7 [126.5]	643.1 [144.6]	723.5 [162.6]	803.8 [180.7]
		Pull side	602.9 [0.9345]	60.3 [13.6]	120.6 [27.11]	180.9 [40.67]	241.2 [54.22]	301.4 [67.75]	361.7 [81.31]	422.0 [94.87]	482.3 [108.4]	542.6 [122.0]	602.9 [135.5]
		Stroke adjustment	602.9 [0.9345]	60.3 [13.6]	120.6 [27.11]	180.9 [40.67]	241.2 [54.22]	301.4 [67.75]	361.7 [81.31]	422.0 [94.87]	482.3 [108.4]	542.6 [122.0]	602.9 [135.5]
40 [1.575]	16 [0.630]	Push side	1256.0 [1.9468]	125.6 [28.23]	251.2 [56.47]	376.8 [84.70]	502.4 [112.9]	628.0 [141.2]	753.6 [169.4]	879.2 [197.6]	1004.8 [225.9]	1130.4 [254.1]	1256.0 [282.3]
		Pull side	1055.0 [1.6353]	105.5 [23.72]	211.0 [47.43]	316.5 [71.15]	422.0 [94.87]	527.5 [118.5]	633.0 [142.3]	738.5 [166.0]	844.0 [189.7]	949.5 [213.4]	1055.0 [237.2]
		Stroke adjustment	1055.0 [1.6353]	105.5 [23.72]	211.0 [47.43]	316.5 [71.15]	422.0 [94.87]	527.5 [118.5]	633.0 [142.3]	738.5 [166.0]	844.0 [189.7]	949.5 [213.4]	1055.0 [237.2]
50 [1.969]	20 [0.787]	Push side	1962.5 [3.0419]	196.3 [44.13]	392.5 [88.23]	588.8 [132.4]	785.0 [176.5]	981.3 [220.6]	1177.5 [264.7]	1373.8 [308.8]	1570.0 [352.9]	1766.3 [397.1]	1962.5 [441.2]
		Pull side	1648.5 [2.5552]	164.9 [37.07]	329.7 [74.12]	494.6 [111.2]	659.4 [148.2]	824.3 [185.3]	989.1 [222.3]	1154.0 [259.4]	1318.8 [296.5]	1483.7 [333.5]	1648.5 [370.6]
		Stroke adjustment	1648.5 [2.5552]	164.9 [37.07]	329.7 [74.12]	494.6 [111.2]	659.4 [148.2]	824.3 [185.3]	989.1 [222.3]	1154.0 [259.4]	1318.8 [296.5]	1483.7 [333.5]	1648.5 [370.6]
63 [2.480]	20 [0.787]	Push side	3115.7 [4.8293]	311.6 [70.05]	623.1 [140.1]	934.7 [210.1]	1246.3 [280.2]	1557.8 [350.2]	1869.4 [420.2]	2181.0 [490.3]	2492.5 [560.3]	2804.1 [630.4]	3115.7 [700.4]
		Pull side	2801.7 [4.3426]	280.2 [62.99]	560.3 [126.0]	840.5 [188.9]	1120.7 [251.9]	1400.8 [314.9]	1681.0 [377.9]	1961.2 [440.9]	2241.3 [503.9]	2521.5 [566.9]	2801.7 [629.9]
		Stroke adjustment	2801.7 [4.3426]	280.2 [62.99]	560.3 [126.0]	840.5 [188.9]	1120.7 [251.9]	1400.8 [314.9]	1681.0 [377.9]	1961.2 [440.9]	2241.3 [503.9]	2521.5 [566.9]	2801.7 [629.9]

Allowable Lateral Load

● Lateral load (F) on the rod end should be at or below the figures in the table below.

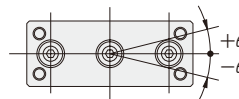
Bore mm [in.]	Stroke mm Type	N [lbf.]										
		10	20	30	40	50	75	100	125	150	175	200
12 [0.472]	Slide bearing type	29 [6.5]	23 [5.2]	19 [4.3]	16.5 [3.7]	15 [3.4]	27.5 [6.2]	23 [5.2]	—	—	—	—
	Rolling bearing type	26 [5.8]	20 [4.5]	17 [3.8]	14.5 [3.3]	13 [2.9]	24 [5.4]	20 [4.5]	—	—	—	—
16 [0.630]	Slide bearing type	37 [8.3]	30.5 [6.9]	26 [5.8]	22.5 [5.1]	20 [4.5]	35 [7.9]	30 [6.7]	—	—	—	—
	Rolling bearing type	40 [9.0]	32 [7.2]	27 [6.1]	24 [5.4]	19 [4.3]	34 [7.6]	28 [6.3]	—	—	—	—
20 [0.787]	Slide bearing type	69 [15.5]	58 [13.0]	50 [11.2]	44 [9.9]	40 [9.0]	91 [20.5]	78 [17.5]	68 [15.3]	60 [13.5]	54 [12.1]	49 [11.0]
	Rolling bearing type	58 [13.0]	49 [11.0]	38 [8.5]	36 [8.1]	33 [7.4]	77 [17.3]	66 [14.8]	58 [13.0]	51 [11.5]	46 [10.3]	42 [9.4]
25 [0.984]	Slide bearing type	95 [21.4]	80.5 [18.1]	70 [15.7]	61 [13.7]	55 [12.4]	116 [26.1]	100 [22.5]	87 [19.6]	77 [17.3]	70 [15.7]	63 [14.2]
	Rolling bearing type	58 [13.0]	49 [11.0]	38 [8.5]	37 [8.3]	33 [7.4]	77 [17.3]	66 [14.8]	58 [13.0]	51 [11.5]	46 [10.3]	42 [9.4]
32 [1.260]	Slide bearing type	273 [61.4]	237 [53.3]	209 [47.0]	188 [42.3]	170 [38.2]	195 [43.8]	160 [36.0]	150 [33.7]	134 [30.1]	122 [27.4]	111 [25.0]
	Rolling bearing type	113 [25.4]	98 [22.0]	86 [19.3]	77 [17.3]	70 [15.7]	150 [33.7]	130 [29.2]	115 [25.9]	103 [23.2]	94 [21.1]	86 [19.3]
40 [1.575]	Slide bearing type	273 [61.4]	237 [53.3]	209 [47.0]	188 [42.3]	170 [38.2]	195 [43.8]	160 [36.0]	150 [33.7]	134 [30.1]	122 [27.4]	111 [25.0]
	Rolling bearing type	113 [25.4]	98 [22.0]	86 [19.3]	77 [17.3]	70 [15.7]	150 [33.7]	130 [29.2]	115 [25.9]	103 [23.2]	94 [21.1]	86 [19.3]
50 [1.969]	Slide bearing type	398 [89.5]	351 [78.9]	314 [70.6]	284 [63.8]	260 [58.4]	272 [61.1]	240 [54.0]	213 [47.9]	193 [43.4]	176 [39.6]	161 [36.2]
	Rolling bearing type	135 [30.3]	119 [26.8]	106.5 [23.9]	96 [21.6]	88 [19.8]	170 [38.2]	150 [33.7]	134 [30.1]	121 [27.2]	110 [24.7]	100 [22.5]
63 [2.480]	Slide bearing type	398 [89.5]	351 [78.9]	314 [70.6]	284 [63.8]	260 [58.4]	272 [61.1]	240 [54.0]	213 [47.9]	193 [43.4]	176 [39.6]	161 [36.2]
	Rolling bearing type	135 [30.3]	119 [26.8]	106.5 [23.9]	96 [21.6]	88 [19.8]	170 [38.2]	150 [33.7]	134 [30.1]	121 [27.2]	110 [24.7]	100 [22.5]



End Plate Non-rotation Accuracy θ

Bore size mm [in.]	SGDA	SGDAQ	SGDAQ, CS-SGDAQ
12 [0.472]	$\pm 0.1^\circ$	$\pm 0.06^\circ$	$\pm 0.06^\circ$
16 [0.630]	$\pm 0.09^\circ$	$\pm 0.06^\circ$	$\pm 0.06^\circ$
20 [0.787]	$\pm 0.08^\circ$	$\pm 0.07^\circ$	$\pm 0.05^\circ$
25 [0.984]	$\pm 0.07^\circ$	$\pm 0.07^\circ$	$\pm 0.05^\circ$
32 [1.260]	$\pm 0.06^\circ$	$\pm 0.03^\circ$	$\pm 0.03^\circ$
40 [1.575]	$\pm 0.06^\circ$	$\pm 0.03^\circ$	$\pm 0.03^\circ$
50 [1.969]	$\pm 0.05^\circ$	$\pm 0.03^\circ$	$\pm 0.03^\circ$
63 [2.480]	$\pm 0.05^\circ$	$\pm 0.03^\circ$	$\pm 0.03^\circ$

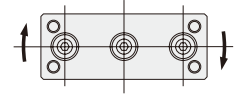
Note: When cylinder is retracted (initial value).
Guide rod deflection excluded.



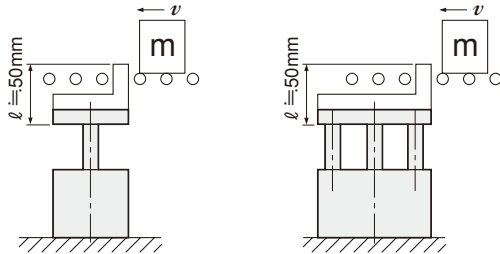
Allowable Twisting Torque for the End Plate

N · m [ft · lbf]

Bore mm [in.]	Stroke mm Type	10	20	30	40	50	75	100	125	150	175	200
		12 [0.472]	Slide bearing type	0.30 [0.221]	0.24 [0.178]	0.20 [0.148]	0.17 [0.125]	0.16 [0.118]	0.29 [0.214]	0.24 [0.177]	—	—
	Rolling bearing type	0.27 [0.199]	0.21 [0.155]	0.18 [0.133]	0.15 [0.111]	0.14 [0.103]	0.25 [0.184]	0.21 [0.155]	—	—	—	—
16 [0.630]	Slide bearing type	0.43 [0.317]	0.36 [0.266]	0.31 [0.229]	0.26 [0.192]	0.24 [0.177]	0.41 [0.302]	0.35 [0.258]	—	—	—	—
	Rolling bearing type	0.47 [0.347]	0.38 [0.280]	0.32 [0.236]	0.28 [0.207]	0.22 [0.162]	0.40 [0.295]	0.33 [0.243]	—	—	—	—
20 [0.787]	Slide bearing type	1.00 [0.738]	0.84 [0.620]	0.73 [0.538]	0.64 [0.472]	0.58 [0.428]	1.32 [0.974]	1.13 [0.833]	0.99 [0.730]	0.87 [0.642]	0.78 [0.575]	0.71 [0.524]
	Rolling bearing type	0.84 [0.620]	0.71 [0.524]	0.55 [0.406]	0.52 [0.384]	0.48 [0.354]	1.12 [0.826]	0.96 [0.708]	0.84 [0.620]	0.74 [0.546]	0.67 [0.494]	0.61 [0.450]
25 [0.984]	Slide bearing type	1.50 [1.106]	1.27 [0.937]	1.10 [0.811]	0.96 [0.708]	0.87 [0.642]	1.83 [1.350]	1.58 [1.165]	1.37 [1.011]	1.21 [0.892]	1.10 [0.811]	0.99 [0.730]
	Rolling bearing type	0.91 [0.671]	0.77 [0.568]	0.60 [0.443]	0.58 [0.428]	0.52 [0.384]	1.21 [0.892]	1.04 [0.767]	0.91 [0.671]	0.80 [0.590]	0.72 [0.531]	0.66 [0.487]
32 [1.260]	Slide bearing type	5.46 [4.027]	4.74 [3.496]	4.18 [3.083]	3.76 [2.773]	3.40 [2.508]	3.90 [2.877]	3.20 [2.360]	3.00 [2.213]	2.68 [1.976]	2.44 [1.800]	2.22 [1.637]
	Rolling bearing type	2.26 [1.667]	1.96 [1.446]	1.72 [1.269]	1.54 [1.136]	1.40 [1.033]	3.00 [2.213]	2.60 [1.918]	2.30 [1.696]	2.06 [1.519]	1.88 [1.387]	1.72 [1.269]
40 [1.575]	Slide bearing type	6.14 [4.529]	5.33 [3.931]	4.70 [3.467]	4.23 [3.120]	3.83 [2.825]	4.39 [3.238]	3.60 [2.655]	3.38 [2.493]	3.02 [2.228]	2.75 [2.028]	2.50 [1.844]
	Rolling bearing type	2.54 [1.874]	2.21 [1.630]	1.94 [1.431]	1.73 [1.276]	1.58 [1.165]	3.38 [2.493]	2.93 [2.161]	2.59 [1.910]	2.32 [1.711]	2.12 [1.564]	1.94 [1.431]
50 [1.969]	Slide bearing type	10.95 [8.077]	9.65 [7.118]	8.64 [6.373]	7.81 [5.761]	7.15 [5.274]	7.48 [5.517]	6.60 [4.868]	5.86 [4.322]	5.31 [3.917]	4.84 [3.570]	4.43 [3.268]
	Rolling bearing type	3.71 [2.736]	3.27 [2.412]	2.93 [2.161]	2.64 [1.947]	2.42 [1.785]	4.68 [3.452]	4.13 [3.046]	3.69 [2.722]	3.33 [2.456]	3.03 [2.235]	2.75 [2.028]
63 [2.480]	Slide bearing type	12.05 [8.888]	10.71 [7.900]	9.58 [7.066]	8.66 [6.388]	7.93 [5.849]	8.30 [6.122]	7.32 [5.399]	6.50 [4.794]	5.89 [4.344]	5.37 [3.961]	4.91 [3.622]
	Rolling bearing type	4.12 [3.039]	3.63 [2.677]	3.25 [2.397]	2.93 [2.161]	2.68 [1.977]	5.19 [3.828]	4.58 [3.378]	4.09 [3.017]	3.69 [2.722]	3.36 [2.478]	3.05 [2.250]



Allowable Range When Used as a Stopper

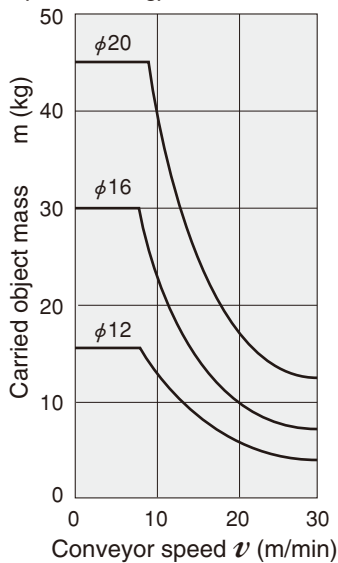


※ For product selection when the l dimension is longer, select one with a sufficient cylinder bore.

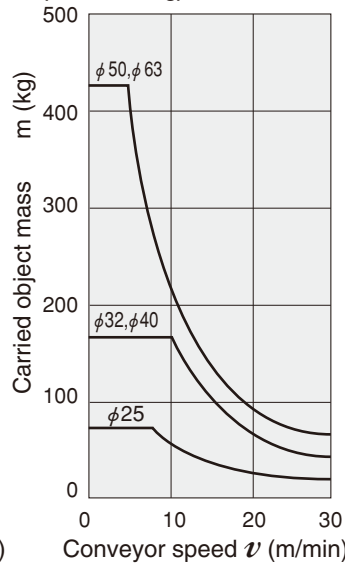
Precautions for handling

- Notes: 1. When using as a stopper, select product with a stroke of 50mm or less.
 2. The rolling bearing type cannot be used as a stopper.
 3. When the stopper becomes subject to friction force generated by friction between the carried object and the conveyor, etc., keep the friction force at the allowable lateral load or below.

$\phi 12$ [0.472in.] ~ $\phi 20$ [0.787in.]
(Slide bearing)



$\phi 25$ [0.984in.] ~ $\phi 63$ [2.480in.]
(Slide bearing)

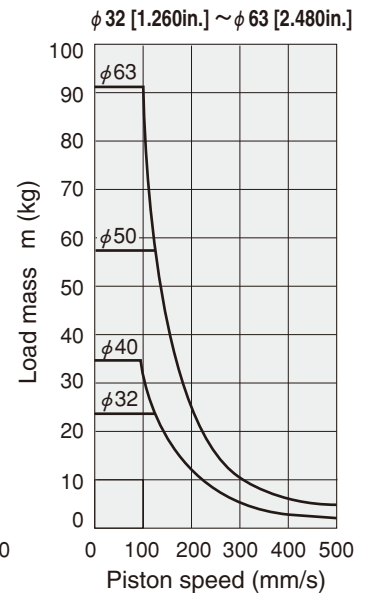
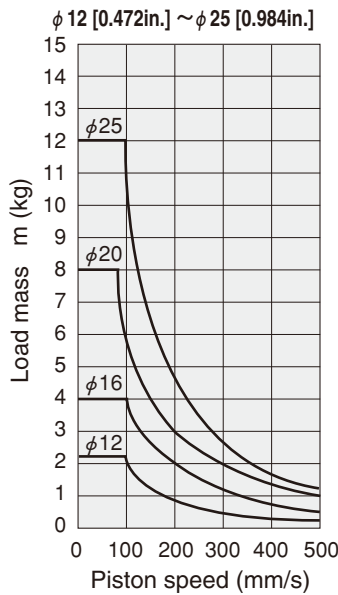


- Notes: 1. Figures assume that the carried objects are plastic containers.
 2. Figures for $\phi 12 \sim \phi 25$ are $st = 30$, and for $\phi 32 \sim \phi 63$ are $st = 50$.

1kg = 2.205lb. 1m/min. = 3.281ft./min.

Allowable Load Range

Use the graph values below for the relation between the load and piston speed. When these values are exceeded, install an external stopper.

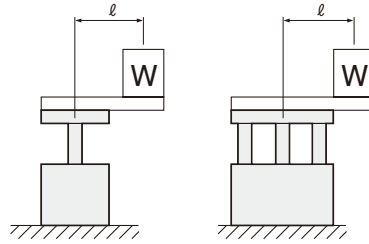


1kg = 2.205lb. 1mm/s = 0.0394in./sec.

Allowable Range When Used as a Lifter

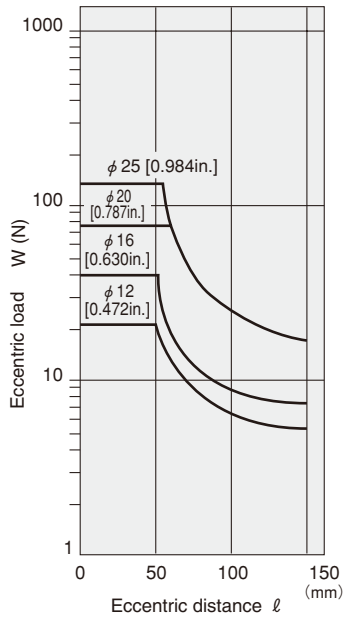
- Select a cylinder bore so that the total mass of the load is the theoretical output (in the graphs below) or less.

Bore size mm [in.]	Theoretical output
φ 12 [0.472], φ 16 [0.630]	40% or less
φ 20 [0.787], φ 25 [0.984]	50% or less
φ 32 [1.260] ~ φ 63 [2.480]	60% or less

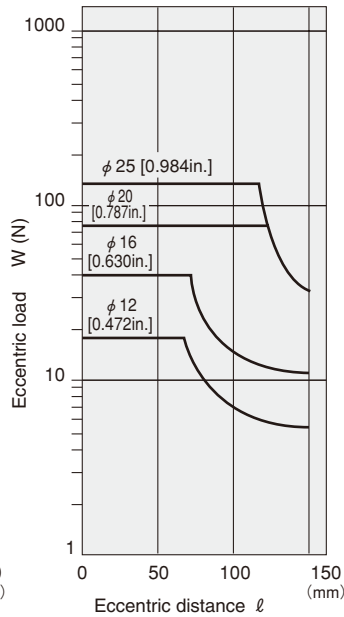


Slide bearing type (Applied pressure P = 0.5MPa [73psi.])

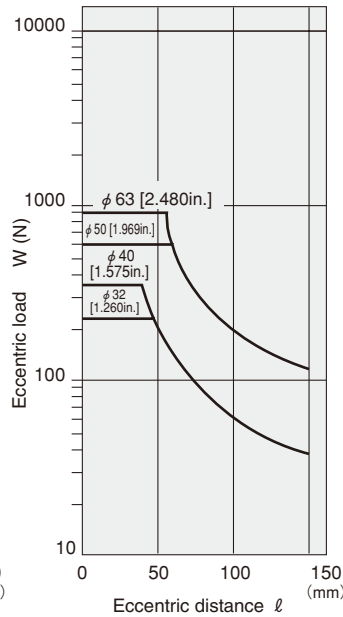
- φ 12 [0.472in.] ~ φ 25 [0.984in.] (50mm or shorter strokes)



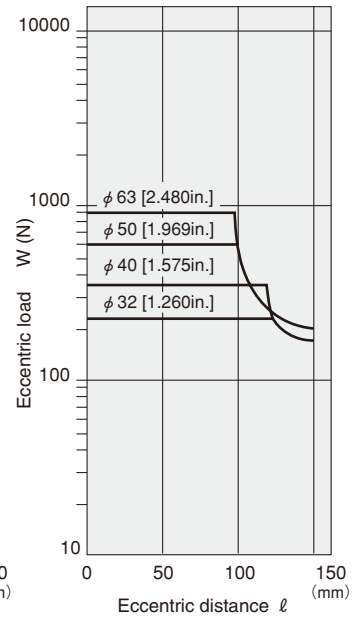
- (75mm or longer strokes)



- φ 32 [1.260in.] ~ φ 63 [2.480in.] (50mm or shorter strokes)



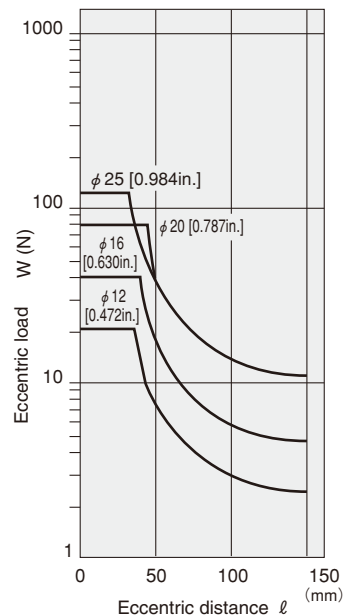
- (75mm or longer strokes)



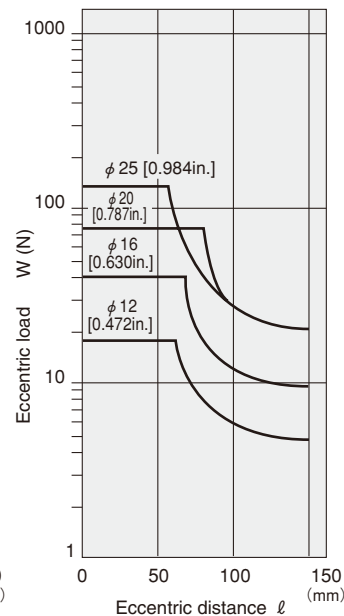
1N = 0.2248lbf.
1mm = 0.0394in.

Rolling bearing type (applied pressure P = 0.5MPa [73psi.])

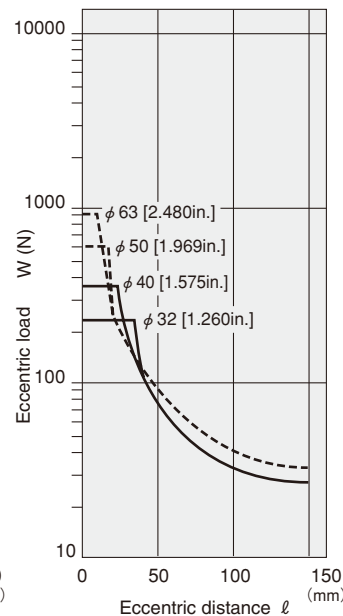
- φ 12 [0.472in.] ~ φ 25 [0.984in.] (50mm or shorter strokes)



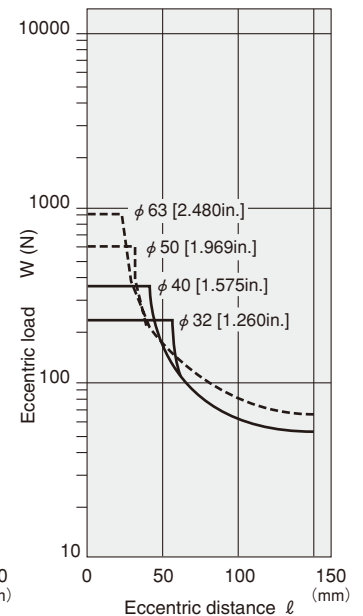
- (75mm or longer strokes)



- φ 32 [1.260in.] ~ φ 63 [2.480in.] (50mm or shorter strokes)



- (75mm or longer strokes)

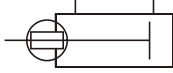


1N = 0.2248lbf.
1mm = 0.0394in.

JIG CYLINDERS WITH GUIDES

Standard Cylinders $\phi 12 \sim \phi 63$

Symbol



Specifications

Item	Bore mm [in.]	12 [0.472]	16 [0.630]	20 [0.787]	25 [0.984]	32 [1.260]	40 [1.575]	50 [1.969]	63 [2.480]
Operation type		Double acting type							
Media		Air							
Operating pressure range MPa [psi.]	Standard specification	0.15~1.0 [22~145]			0.1~1.0 [15~145]				
	Scraper specification	0.2~1.0 [29~145]			0.15~1.0 [22~145]				
Proof pressure MPa [psi.]		1.5 [218]							
Operating temperature range °C [°F]		0~60 [32~140] (Heat resistant specification is 120 [248].)							
Operating speed range mm/s [in./sec.]		100~500 [3.9~19.7]							
Cushion		Rubber bumper							
Lubrication		Not required (If lubrication is required, use Turbine Oil Class 1 [ISO VG32] or equivalent.)							
Port size		M5×0.8			Rc1/8			Rc1/4	
Stroke tolerance mm [in.]					+1.5 [+0.059] 0 [0]				

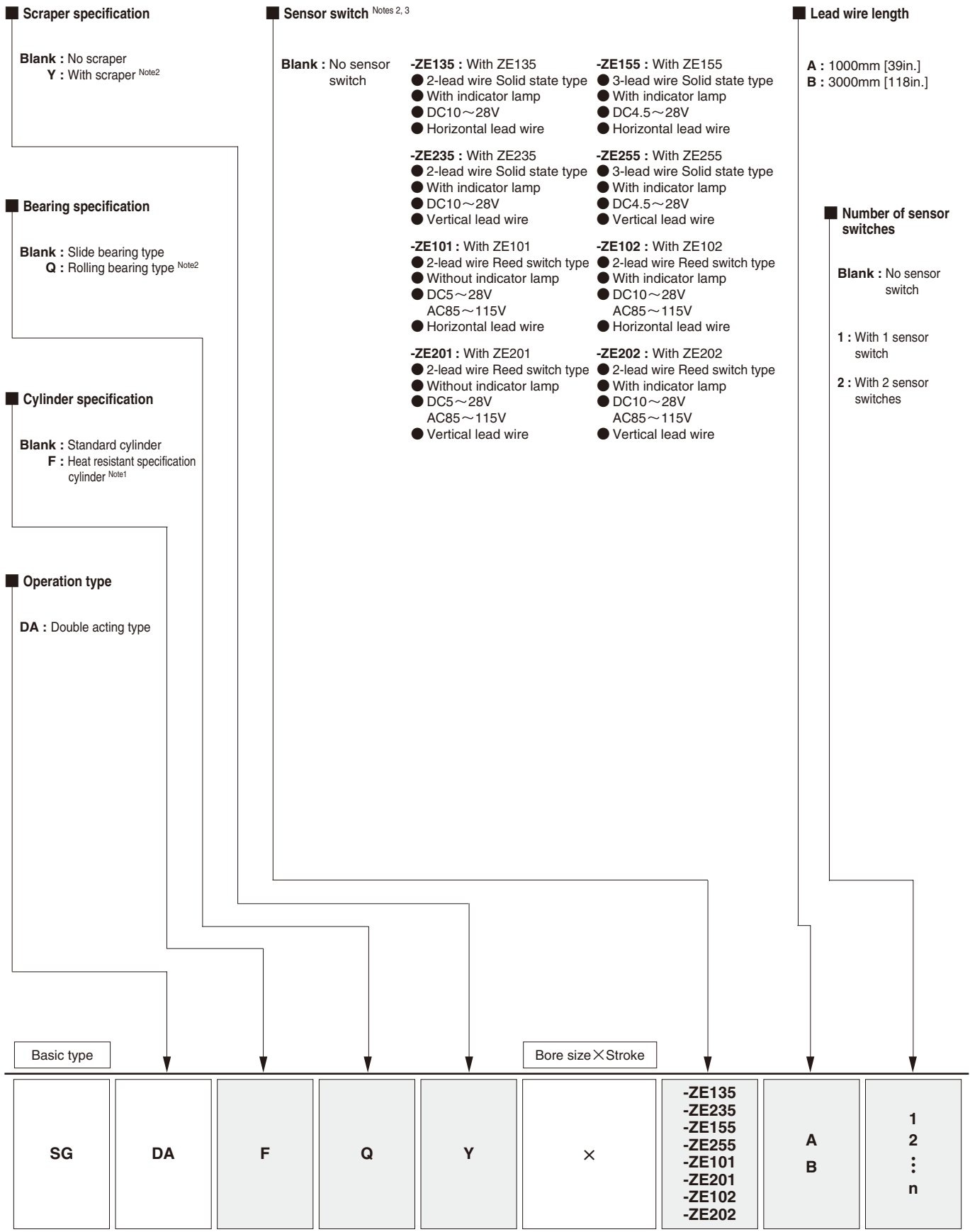
Bore Size and Stroke

Bore size	Standard strokes	Maximum available stroke
12	10, 20, 30, 40, 50, 75, 100	100
16		
20	10, 20, 30, 40, 50, 75, 100, 125, 150, 175, 200	200
25		
32		
40		
50		
63		

Remarks: 1. Non-standard strokes are available at 5mm intervals. Since the manufacturing method is collar packed, the total length, etc., are the same dimension as the next size up standard stroke cylinder.

2. For strokes of 75mm or longer, use long bushing type.

Order Codes for Standard Cylinder



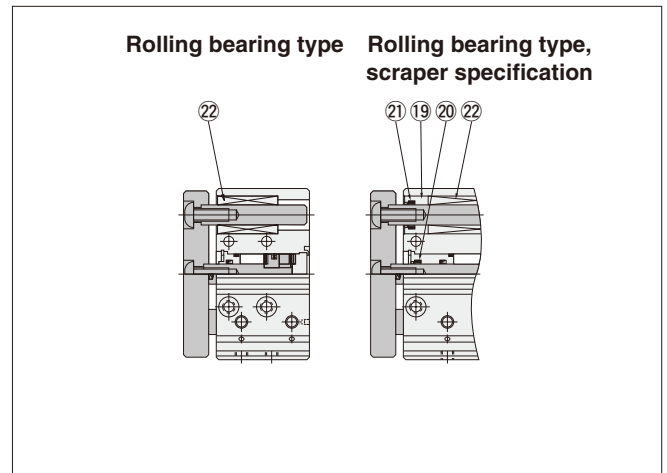
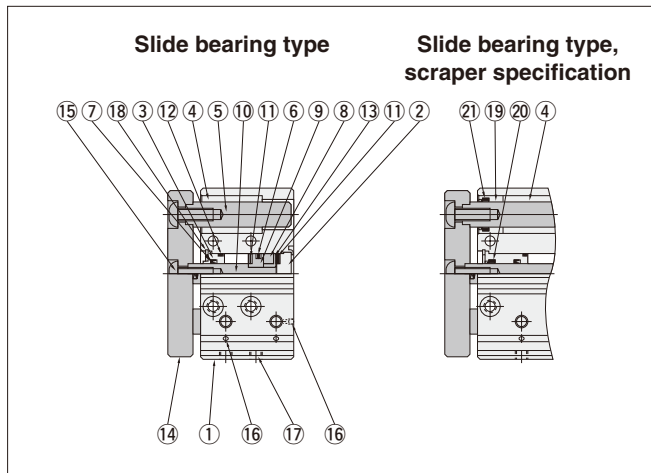
- See the bore size and stroke on p.706.
- For the order codes of sensor switches only, see p.733.

Notes: 1. Not available in the rolling bearing type.
 2. Not available in heat resistant specification.
 3. For details of sensor switches, see p.733.

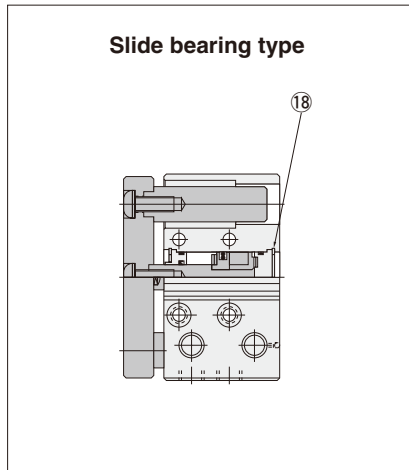
Inner Construction and Major Parts

Standard cylinder

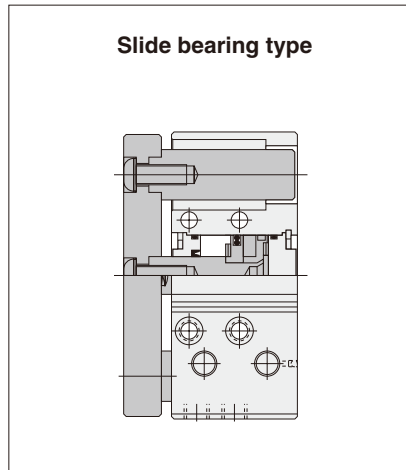
● $\phi 12$



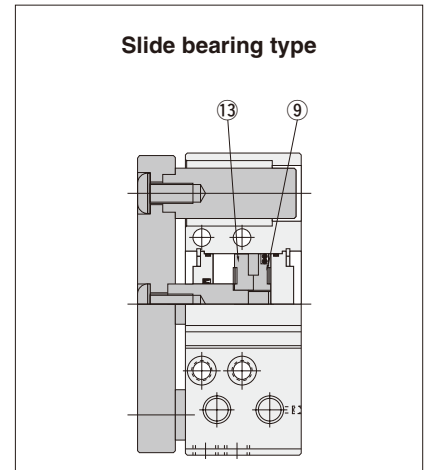
● $\phi 16, \phi 20, \phi 25$ *



● $\phi 32, \phi 40$ *



● $\phi 50, \phi 63$ *



* Same structure for the $\phi 16 \sim \phi 63$ rolling bearing type and scraper specification

Remark: The number of bearings for 50mm stroke or shorter is 1 bearing per shaft. At 75mm stroke or longer, 2 bearings per shaft. The plate, piston rod, and guide rod cannot be disassembled.

Major Parts and Materials

No.	Parts	Bore mm [in.]	12 [0.472]	16 [0.630]	20 [0.787]	25 [0.984]	32 [1.260]	40 [1.575]	50 [1.969]	63 [2.480]
①	Cylinder body		Aluminum alloy (anodized)							
②	Head cover		Aluminum alloy (anodized)							
③	Rod cover		Aluminum alloy (special wear-resistant treatment)							
④	Slide bearing		Aluminum alloy (special wear-resistant treatment)							
⑤	Guide rod		Steel (hard chrome-plated) [rolling bearing type: Steel]							
⑥	Piston seal		Synthetic rubber (NBR)							
⑦	Rod seal		Synthetic rubber (NBR)							
⑧	Magnet		Plastic magnet							
⑨	Piston		Aluminum alloy (special rust prevention treatment)							
⑩	Piston rod		Stainless steel (hard chrome plated)				Steel (hard chrome plated)			
⑪	Bumper		Synthetic rubber (NBR)							
⑫	O-ring		Synthetic rubber (NBR)							
⑬	Support		Aluminum alloy (special rust prevention treatment)							
⑭	Plate		Aluminum alloy (black anodized)							
⑮	Bolt		Steel (nickel plated)							
⑯	Steel ball		Steel							
⑰	Plug		Mild steel (zinc plated)							
⑱	Snap ring		Steel (phosphate coating)							
⑲	Scraper holder		Aluminum alloy (anodized)							
⑳	Scraper (cylinder)		Synthetic rubber (NBR)							
㉑	Scraper (guide)		Synthetic rubber (NBR)							
㉒	Rolling bearing		Steel, plastic							

Seals

Bore size mm	Type	Standard cylinder				Standard cylinder (Scraper specification)		
	Parts	Rod seal	Piston seal	Tube gasket		Dust seal		
				Rod side	Head side	Piston rod side	Guide rod side	Guide rod side (Rolling bearing type)
12		MYR-6 (MYN-6F)	COP-12 (COP-12F)	Y090260 (Y090298)	None	SER-6	SER-8	SER-6
16		MYR-8 (MYH-8F)	COP-16 (COP-16F)	Y090207 (Y090220)	Y090207 (Y090220)	SER-8	SER-10A	SER-8
20		MYR-10 (MYH-10F)	COP-20 (COP-20F)	Y090216 (Y090296)	Y090216 (Y090296)	SER-10A	SER-14	SER-12
25		MYR-12 (MYH-12F)	COP-25 (COP-25F)	Y090210 (Y090270)	Y090210 (Y090270)	SER-12	SER-16	SER-14
32		MYR-16 (MYH-16F)	COP-32 (COP-32F)	L090084 (Y090013)	L090084 (Y090013)	SER-16	SER-20	SER-16
40		MYR-16 (MYH-16F)	COP-40 (COP-40F)	L090151 (Y090369)	L090151 (Y090369)	SER-16	SER-20	SER-16
50		MYR-20 (MYH-20F)	COP-50 (COP-50F)	L090174 (L090176)	L090174 (L090176)	SER-20	SER-25	SER-20
63		MYR-20 (MYH-20F)	COP-63 (COP-63F)	L090180 (L090181)	L090180 (L090181)	SER-20	SER-25	SER-20

Note: Items in parentheses () are for heat resistant specification. The rolling bearing type does not have heat resistant specification.

Mass

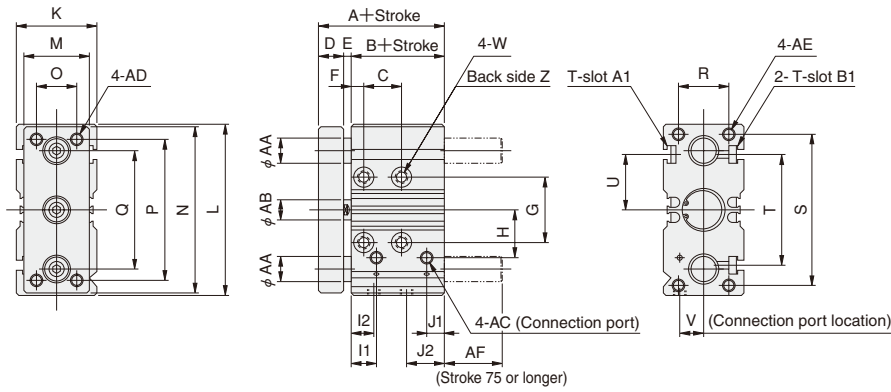
Bore size mm [in.]	Type	Standard cylinder				Standard cylinder (Scraper specification)				Option	
	Mass	Slide bearing type		Rolling bearing type		Slide bearing type		Rolling bearing type		Additional mass of sensor switch	
		Zero stroke mass	Additional mass for each 1mm [0.0394in.] stroke	Zero stroke mass	Additional mass for each 1mm [0.0394in.] stroke	Zero stroke mass	Additional mass for each 1mm [0.0394in.] stroke	Zero stroke mass	Additional mass for each 1mm [0.0394in.] stroke	ZE□□□A	ZE□□□B
12 [0.472]	50st or shorter	130 [4.59]	3.99 [0.1407]	123 [4.34]	3.63 [0.1280]	160 [5.64]	3.99 [0.1407]	150 [5.29]	3.63 [0.1280]	15 [0.53]	35 [1.23]
	75st or longer	140 [4.94]	3.99 [0.1407]	133 [4.69]	3.63 [0.1280]	170 [6.00]	3.99 [0.1407]	160 [5.64]	3.63 [0.1280]		
16 [0.630]	50st or shorter	250 [8.82]	5.2 [0.183]	211 [7.44]	5.17 [0.1824]	304 [10.72]	5.2 [0.183]	265 [9.35]	5.17 [0.1824]		
	75st or longer	280 [9.88]	5.2 [0.183]	252 [8.89]	5.17 [0.1824]	350 [12.35]	5.2 [0.183]	322 [11.36]	5.17 [0.1824]		
20 [0.787]	50st or shorter	450 [15.87]	9.0 [0.317]	380 [13.40]	8.4 [0.296]	510 [17.99]	9.0 [0.317]	440 [15.52]	8.4 [0.296]		
	75st or longer	500 [17.64]	9.0 [0.317]	461 [16.26]	8.4 [0.296]	600 [21.16]	9.0 [0.317]	561 [19.79]	8.4 [0.296]		
25 [0.984]	50st or shorter	642 [22.65]	10.81 [0.3813]	572 [20.18]	10.12 [0.3570]	750 [26.46]	10.81 [0.3813]	675 [23.81]	10.12 [0.3570]		
	75st or longer	720 [25.40]	10.81 [0.3813]	650 [22.93]	10.12 [0.3570]	830 [29.28]	10.81 [0.3813]	750 [26.46]	10.12 [0.3570]		
32 [1.260]	50st or shorter	923 [32.56]	16 [0.56]	914 [32.24]	13.71 [0.4836]	1045 [36.86]	16 [0.56]	1036 [36.54]	13.71 [0.4836]		
	75st or longer	1300 [45.86]	16 [0.56]	1129 [39.82]	13.71 [0.4836]	1245 [43.92]	16 [0.56]	1229 [43.35]	13.71 [0.4836]		
40 [1.575]	50st or shorter	1200 [42.33]	17.61 [0.6212]	1100 [38.80]	15.78 [0.5566]	1400 [49.38]	17.61 [0.6212]	1260 [44.44]	15.78 [0.5566]		
	75st or longer	1440 [50.79]	17.61 [0.6212]	1400 [49.38]	15.78 [0.5566]	1600 [56.44]	17.61 [0.6212]	1560 [55.03]	15.78 [0.5566]		
50 [1.969]	50st or shorter	1903 [67.13]	26.5 [0.935]	1837 [64.80]	23.27 [0.8208]	2140 [75.49]	26.5 [0.935]	2070 [73.02]	23.27 [0.8208]		
	75st or longer	2206 [77.81]	26.5 [0.935]	2174 [76.68]	23.27 [0.8208]	2510 [88.54]	26.5 [0.935]	2480 [87.48]	23.27 [0.8208]		
63 [2.480]	50st or shorter	2470 [87.13]	29.65 [1.0459]	2400 [84.66]	26.97 [0.9513]	2770 [97.71]	29.65 [1.0459]	2670 [94.18]	26.97 [0.9513]		
	75st or longer	2770 [97.71]	29.65 [1.0459]	2738 [96.58]	26.97 [0.9513]	3066 [108.15]	29.65 [1.0459]	3010 [106.17]	26.97 [0.9513]		

Dimensions of Standard Cylinder (mm)

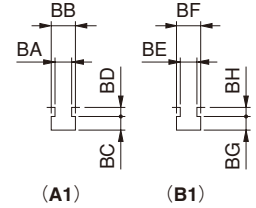
Slide bearing type **SGDA** ×

SGDA : SGDA
 SGDAF : SGDA

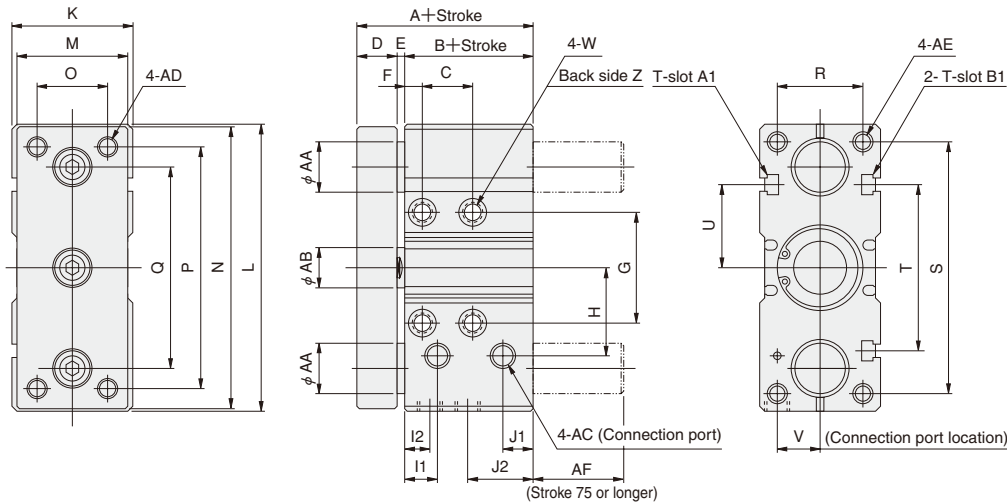
● $\phi 12$, $\phi 16$ (Drawings show $\phi 16$.)



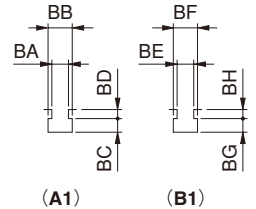
● T-slot A1, B1 dimensions



● $\phi 20 \sim \phi 63$ (Drawings show $\phi 32$.)



● T-slot A1, B1 dimensions



Code	Bore mm [in.]		Stroke								D	E	F	G	H	I1	I2	J1	J2	K	L	M	N	O	P	Q	R	S	T	U	V ^{Note}	W
	A	B	10	20	30	40	50	50~100	125 or more																							
12 [0.472]	36	25	15	25	35	45	55	—	8	3	5	22	17	10	9	6	14	28	58	22	56	14	48	42	18	51	37	18.5	8.5	$\phi 4.2$ (Thru hole) Counterbore $\phi 8$ Depth 4.5		
16 [0.630]	40	27	15	25	35	45	55	—	10	3	5	26	19	10	9	7.5	16	32	68	26	66	16	56	47	20	60	44	22	9.5	$\phi 4.2$ (Thru hole) Counterbore $\phi 8$ Depth 4.5		
20 [0.787]	52	36	20	30	40	50	60	110	12	4	6	30	27	11	11	10	20	40	82	36	80	24	66	58	26	72	54	27	13.5	$\phi 5.2$ (Thru hole) Counterbore $\phi 9.5$ Depth 5.5		
25 [0.984]	54	38	20	30	40	50	60	110	12	4	6	33	29	12	12	10	21	42	92	38	90	26	76	63	30	80	54	27	14.5	$\phi 5.2$ (Thru hole) Counterbore $\phi 9.5$ Depth 5.5		
32 [1.260]	59	40	20	30	40	50	60	110	15	4	7	44	35	13	10	12	25	48	114	44	112	28	96	80	34	100	66	33	17	$\phi 6.8$ (Thru hole) Counterbore $\phi 11$ Depth 7		
40 [1.575]	63	44	20	30	40	50	60	110	15	4	7	52	40	14	14	13	25	54	124	50	122	34	106	90	40	106	82	41	18	$\phi 6.8$ (Thru hole) Counterbore $\phi 11$ Depth 7		
50 [1.969]	70	47	20	30	40	50	60	110	18	5	8	66	52.5	15.5	10	15	31	66	150	62	148	42	120	110	44	130	100	50	22	$\phi 8.6$ (Thru hole) Counterbore $\phi 14$ Depth 9		
63 [2.480]	70	47	20	30	40	50	60	110	18	5	8	78	60	17	10	14	31	76	162	72	160	52	132	122	44	144	120	60	24	$\phi 8.6$ (Thru hole) Counterbore $\phi 14$ Depth 9		


Note: The V dimension shows the side connection port location.

Code	Z	AA	AB	AC	AD	AE	AF	T-slot		BA	BB	BC	BD	BE	BF	BG	BH
								A1	B1								
12 [0.472]	M5×0.8 Depth 8	8	6	M5×0.8	M4×0.7	M4×0.7 Depth 8	15	M3×0.5	M4×0.7	3.3	5.8	3	1.5	4.3	7.3	3.5	2.5
16 [0.630]	M5×0.8 Depth 11	10	8	M5×0.8	M5×0.8	M5×0.8 Depth 10	23	M4×0.7	M4×0.7	4.3	7.3	3.5	1.5	4.3	7.3	3.5	3
20 [0.787]	M6×1 Depth 12	14	10	Rc1/8	M6×1	M6×1 Depth 12	27	M4×0.7	M5×0.8	4.3	7.3	4	3	5.3	8.3	4.5	3
25 [0.984]	M6×1 Depth 12	16	12	Rc1/8	M6×1	M6×1 Depth 12	28	M4×0.7	M5×0.8	4.3	7.3	4	3	5.3	8.3	4.5	3
32 [1.260]	M8×1.25 Depth 16	20	16	Rc1/8	M8×1.25	M8×1.25 Depth 16	36	M5×0.8	M5×0.8	5.3	8.3	4.5	3	5.3	8.3	4.5	3
40 [1.575]	M8×1.25 Depth 16	20	16	Rc1/8	M8×1.25	M8×1.25 Depth 16	32	M5×0.8	M6×1	5.3	8.3	4.5	3	6.3	10.3	5.5	3
50 [1.969]	M10×1.5 Depth 20	25	20	Rc1/4	M10×1.5	M10×1.5 Depth 20	39	M5×0.8	M8×1.25	5.3	8.3	4.5	3	8.3	13.3	7	4.5
63 [2.480]	M10×1.5 Depth 20	25	20	Rc1/4	M10×1.5	M10×1.5 Depth 20	39	M5×0.8	M8×1.25	5.3	8.3	4.5	3	8.3	13.3	7	4.5

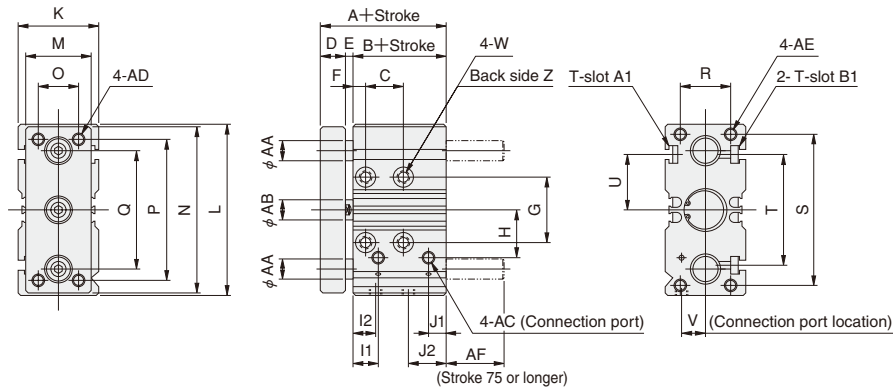
JIG CYLINDERS WITH GUIDES $\phi 12 \sim \phi 63$

Dimensions of Standard Cylinder (mm)

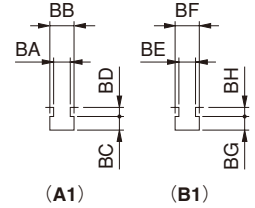
Rolling bearing type **SGDAQ** ×


SGDAQ : **SGDAQ**
SGDAFQ : **SGDAQ**

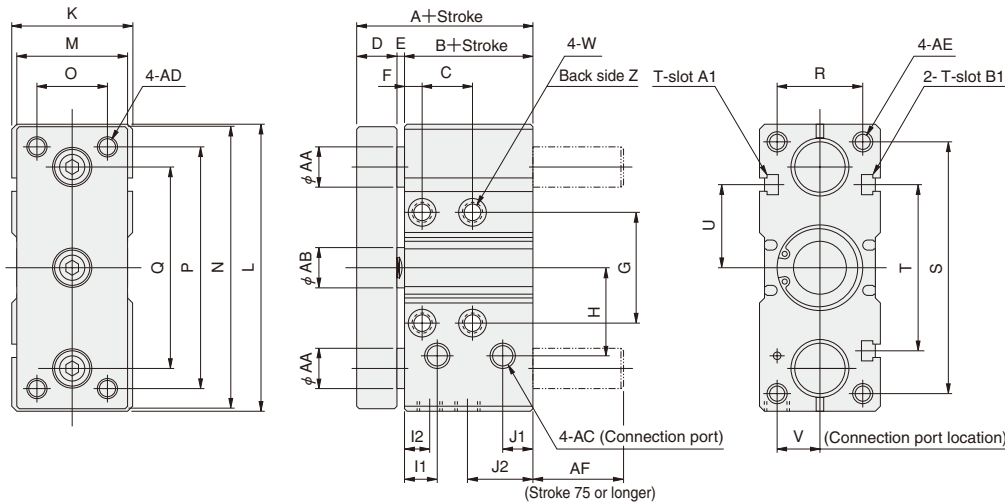
● $\phi 12$, $\phi 16$ (Drawings show $\phi 16$.)



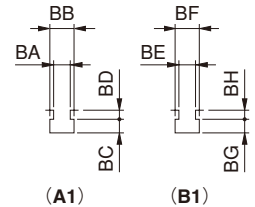
● T-slot A1, B1 dimensions



● $\phi 20 \sim \phi 63$ (Drawings show $\phi 32$.)



● T-slot A1, B1 dimensions



Code Bore mm [in.]	A	B	C Stroke							D	E	F	G	H	I1	I2	J1	J2	K	L	M	N	O	P	Q	R	S	T	U	V ^{Note}	W
			10	20	30	40	50~100	125 or more																							
12 [0.472]	36	25	15	25	35	45	55	—	8	3	5	22	17	10	9	6	14	28	58	22	56	14	48	42	18	51	37	18.5	8.5	$\phi 4.2$ (Thru hole) Counterbore $\phi 8$ Depth 4.5	
16 [0.630]	40	27	15	25	35	45	55	—	10	3	5	26	19	10	9	7.5	16	32	68	26	66	16	56	47	20	60	44	22	9.5	$\phi 4.2$ (Thru hole) Counterbore $\phi 8$ Depth 4.5	
20 [0.787]	52	36	20	30	40	50	60	110	12	4	6	30	27	11	11	10	20	40	82	36	80	24	66	58	26	72	54	27	13.5	$\phi 5.2$ (Thru hole) Counterbore $\phi 9.5$ Depth 5.5	
25 [0.984]	54	38	20	30	40	50	60	110	12	4	6	33	29	12	12	10	21	42	92	38	90	26	76	63	30	80	54	27	14.5	$\phi 5.2$ (Thru hole) Counterbore $\phi 9.5$ Depth 5.5	
32 [1.260]	59	40	20	30	40	50	60	110	15	4	7	44	35	13	10	12	25	48	114	44	112	28	96	80	34	100	66	33	17	$\phi 6.8$ (Thru hole) Counterbore $\phi 11$ Depth 7	
40 [1.575]	63	44	20	30	40	50	60	110	15	4	7	52	40	14	14	13	25	54	124	50	122	34	106	90	40	106	82	41	18	$\phi 6.8$ (Thru hole) Counterbore $\phi 11$ Depth 7	
50 [1.969]	70	47	20	30	40	50	60	110	18	5	8	66	52.5	15.5	10	15	31	66	150	62	148	42	120	110	44	130	100	50	22	$\phi 8.6$ (Thru hole) Counterbore $\phi 14$ Depth 9	
63 [2.480]	70	47	20	30	40	50	60	110	18	5	8	78	60	17	10	14	31	76	162	72	160	52	132	122	44	144	120	60	24	$\phi 8.6$ (Thru hole) Counterbore $\phi 14$ Depth 9	


Note: The V dimension shows the side connection port location.

Code Bore mm [in.]	Z	AA	AB	AC	AD	AE	AF	T-slot		BA	BB	BC	BD	BE	BF	BG	BH
								A1	B1								
12 [0.472]	M5×0.8 Depth 8	6	6	M5×0.8	M4×0.7	M4×0.7 Depth 8	15	M3×0.5	M4×0.7	3.3	5.8	3	1.5	4.3	7.3	3.5	2.5
16 [0.630]	M5×0.8 Depth 11	8	8	M5×0.8	M5×0.8	M5×0.8 Depth 10	23	M4×0.7	M4×0.7	4.3	7.3	3.5	1.5	4.3	7.3	3.5	3
20 [0.787]	M6×1 Depth 12	12	10	Rc1/8	M6×1	M6×1 Depth 12	27	M4×0.7	M5×0.8	4.3	7.3	4	3	5.3	8.3	4.5	3
25 [0.984]	M6×1 Depth 12	13	12	Rc1/8	M6×1	M6×1 Depth 12	28	M4×0.7	M5×0.8	4.3	7.3	4	3	5.3	8.3	4.5	3
32 [1.260]	M8×1.25 Depth 16	16	16	Rc1/8	M8×1.25	M8×1.25 Depth 16	36	M5×0.8	M5×0.8	5.3	8.3	4.5	3	5.3	8.3	4.5	3
40 [1.575]	M8×1.25 Depth 16	16	16	Rc1/8	M8×1.25	M8×1.25 Depth 16	32	M5×0.8	M6×1	5.3	8.3	4.5	3	6.3	10.3	5.5	3
50 [1.969]	M10×1.5 Depth 20	20	20	Rc1/4	M10×1.5	M10×1.5 Depth 20	39	M5×0.8	M8×1.25	5.3	8.3	4.5	3	8.3	13.3	7	4.5
63 [2.480]	M10×1.5 Depth 20	20	20	Rc1/4	M10×1.5	M10×1.5 Depth 20	39	M5×0.8	M8×1.25	5.3	8.3	4.5	3	8.3	13.3	7	4.5

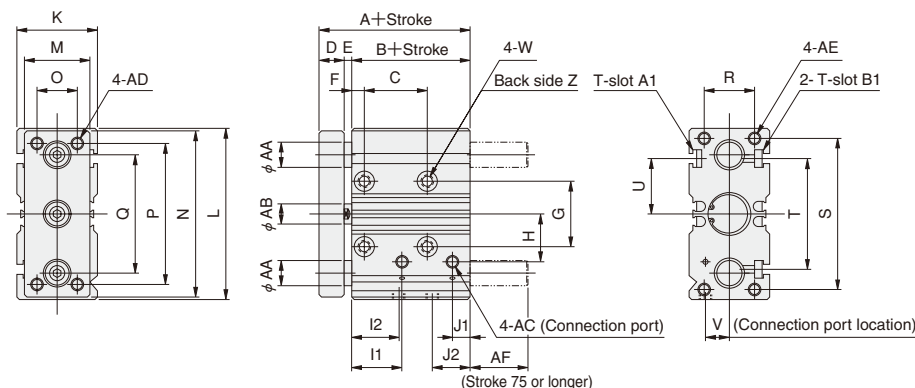
Dimensions of Standard Cylinder Scraper Specification (mm)

Slide bearing type with scraper specification

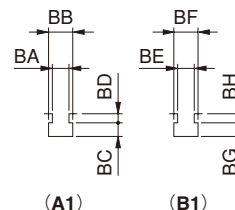
SGDAY X

 SGDAY : SGDAY
 : SGDAY

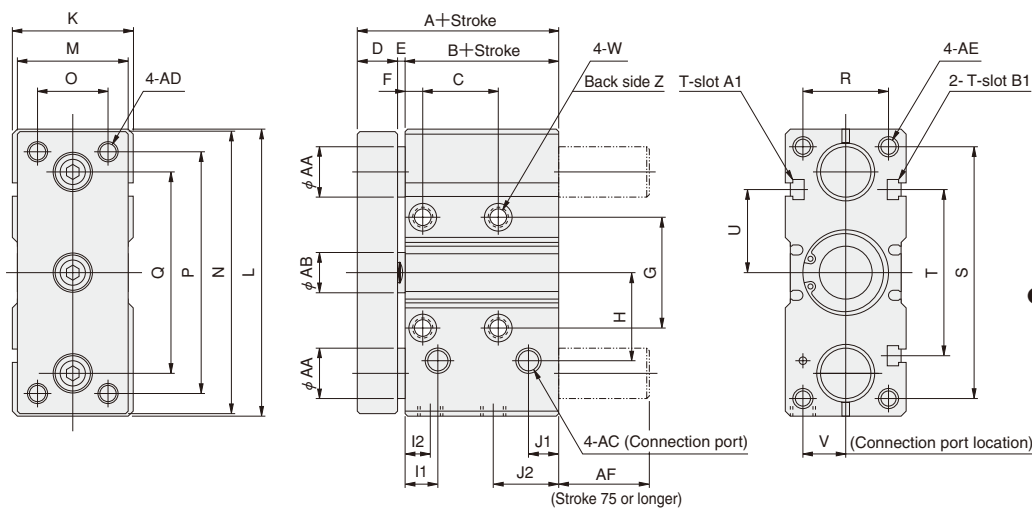
● $\phi 12$, $\phi 16$ (Drawings show $\phi 16$.)



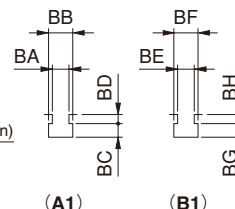
● T-slot A1, B1 dimensions



● $\phi 20 \sim \phi 63$ (Drawings show $\phi 32$.)



● T-slot A1, B1 dimensions



Code	A		C						D	E	F	G	H	I1	I2	J1	J2	K	L	M	N	O	P	Q	R	S	T	U	V ^{Note}	W
	B	Stroke	10	20	30	40	50~100	125 or more																						
12 [0.472]	46	35	25	35	45	55	65	—	8	3	5	22	17	20	19	6	14	28	58	22	56	14	48	42	18	51	37	18.5	8.5	$\phi 4.2$ (Thru hole) Counterbore $\phi 8$ Depth 4.5
16 [0.630]	50	37	25	35	45	55	65	—	10	3	5	26	19	20	19	7.5	16	32	68	26	66	16	56	47	20	60	44	22	9.5	$\phi 4.2$ (Thru hole) Counterbore $\phi 8$ Depth 4.5
20 [0.787]	62	46	30	40	50	60	70	120	12	4	6	30	27	21	21	10	20	40	82	36	80	24	66	58	26	72	54	27	13.5	$\phi 5.2$ (Thru hole) Counterbore $\phi 9.5$ Depth 5.5
25 [0.984]	64	48	30	40	50	60	70	120	12	4	6	33	29	22	22	10	21	42	92	38	90	26	76	63	30	80	54	27	14.5	$\phi 5.2$ (Thru hole) Counterbore $\phi 9.5$ Depth 5.5
32 [1.260]	69	50	30	40	50	60	70	120	15	4	7	44	35	23	20	12	25	48	114	44	112	28	96	80	34	100	66	33	17	$\phi 6.8$ (Thru hole) Counterbore $\phi 11$ Depth 7
40 [1.575]	73	54	30	40	50	60	70	120	15	4	7	52	40	24	24	13	25	54	124	50	122	34	106	90	40	106	82	41	18	$\phi 6.8$ (Thru hole) Counterbore $\phi 11$ Depth 7
50 [1.969]	80	57	30	40	50	60	70	120	18	5	8	66	52.5	25.5	20	15	31	66	150	62	148	42	120	110	44	130	100	50	22	$\phi 8.6$ (Thru hole) Counterbore $\phi 14$ Depth 9
63 [2.480]	80	57	30	40	50	60	70	120	18	5	8	78	60	27	20	14	31	76	162	72	160	52	132	122	44	144	120	60	24	$\phi 8.6$ (Thru hole) Counterbore $\phi 14$ Depth 9

Note: The V dimension shows the side connection port location.

Code	Z	AA	AB	AC	AD	AE	AF	T-slot		BA	BB	BC	BD	BE	BF	BG	BH
								A1	B1								
12 [0.472]	M5×0.8 Depth 8	8	6	M5×0.8	M4×0.7	M4×0.7 Depth 8	15	M3×0.5	M4×0.7	3.3	5.8	3	1.5	4.3	7.3	3.5	2.5
16 [0.630]	M5×0.8 Depth 11	10	8	M5×0.8	M5×0.8	M5×0.8 Depth 10	23	M4×0.7	M4×0.7	4.3	7.3	3.5	1.5	4.3	7.3	3.5	3
20 [0.787]	M6×1 Depth 12	14	10	Rc1/8	M6×1	M6×1 Depth 12	27	M4×0.7	M5×0.8	4.3	7.3	4	3	5.3	8.3	4.5	3
25 [0.984]	M6×1 Depth 12	16	12	Rc1/8	M6×1	M6×1 Depth 12	28	M4×0.7	M5×0.8	4.3	7.3	4	3	5.3	8.3	4.5	3
32 [1.260]	M8×1.25 Depth 16	20	16	Rc1/8	M8×1.25	M8×1.25 Depth 16	36	M5×0.8	M5×0.8	5.3	8.3	4.5	3	5.3	8.3	4.5	3
40 [1.575]	M8×1.25 Depth 16	20	16	Rc1/8	M8×1.25	M8×1.25 Depth 16	32	M5×0.8	M6×1	5.3	8.3	4.5	3	6.3	10.3	5.5	3
50 [1.969]	M10×1.5 Depth 20	25	20	Rc1/4	M10×1.5	M10×1.5 Depth 20	39	M5×0.8	M8×1.25	5.3	8.3	4.5	3	8.3	13.3	7	4.5
63 [2.480]	M10×1.5 Depth 20	25	20	Rc1/4	M10×1.5	M10×1.5 Depth 20	39	M5×0.8	M8×1.25	5.3	8.3	4.5	3	8.3	13.3	7	4.5

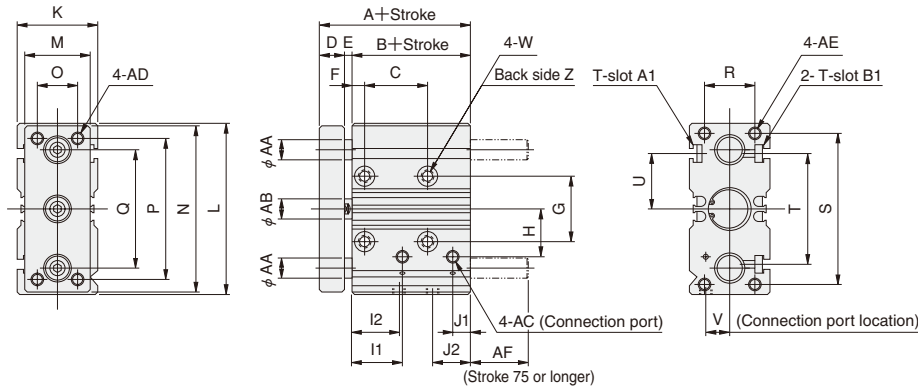
Dimensions of Standard Cylinder Scraper Specification (mm)

Rolling bearing type with scraper specification

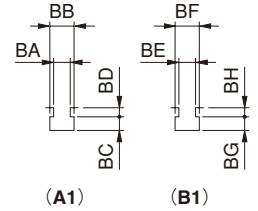
SGDAQY ×

SGDAQY : SGDAQY
 SGDAFAQY : SGDAQY

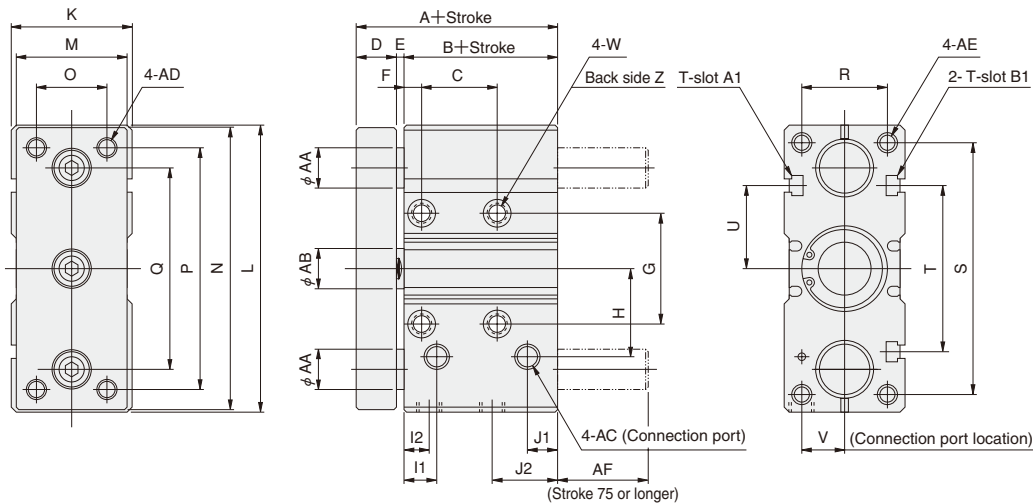
● $\phi 12$, $\phi 16$ (Drawings show $\phi 16$.)



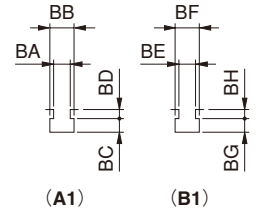
● T-slot A1, B1 dimensions



● $\phi 20 \sim \phi 63$ (Drawings show $\phi 32$.)



● T-slot A1, B1 dimensions



Code Bore mm [in.]	A	B	C Stroke					D	E	F	G	H	I1	I2	J1	J2	K	L	M	N	O	P	Q	R	S	T	U	V ^{Note}	W	
			10	20	30	40	50~100																							125 or more
12 [0.472]	46	35	25	35	45	55	65	—	8	3	5	22	17	20	19	6	14	28	58	22	56	14	48	42	18	51	37	18.5	8.5	$\phi 4.2$ (Thru hole) Counterbore $\phi 8$ Depth 4.5
16 [0.630]	50	37	25	35	45	55	65	—	10	3	5	26	19	20	19	7.5	16	32	68	26	66	16	56	47	20	60	44	22	9.5	$\phi 4.2$ (Thru hole) Counterbore $\phi 8$ Depth 4.5
20 [0.787]	62	46	30	40	50	60	70	120	12	4	6	30	27	21	21	10	20	40	82	36	80	24	66	58	26	72	54	27	13.5	$\phi 5.2$ (Thru hole) Counterbore $\phi 9.5$ Depth 5.5
25 [0.984]	64	48	30	40	50	60	70	120	12	4	6	33	29	22	22	10	21	42	92	38	90	26	76	63	30	80	54	27	14.5	$\phi 5.2$ (Thru hole) Counterbore $\phi 9.5$ Depth 5.5
32 [1.260]	69	50	30	40	50	60	70	120	15	4	7	44	35	23	20	12	25	48	114	44	112	28	96	80	34	100	66	33	17	$\phi 6.8$ (Thru hole) Counterbore $\phi 11$ Depth 7
40 [1.575]	73	54	30	40	50	60	70	120	15	4	7	52	40	24	24	13	25	54	124	50	122	34	106	90	40	106	82	41	18	$\phi 6.8$ (Thru hole) Counterbore $\phi 11$ Depth 7
50 [1.969]	80	57	30	40	50	60	70	120	18	5	8	66	52.5	25.5	20	15	31	66	150	62	148	42	120	110	44	130	100	50	22	$\phi 8.6$ (Thru hole) Counterbore $\phi 14$ Depth 9
63 [2.480]	80	57	30	40	50	60	70	120	18	5	8	78	60	27	20	14	31	76	162	72	160	52	132	122	44	144	120	60	24	$\phi 8.6$ (Thru hole) Counterbore $\phi 14$ Depth 9

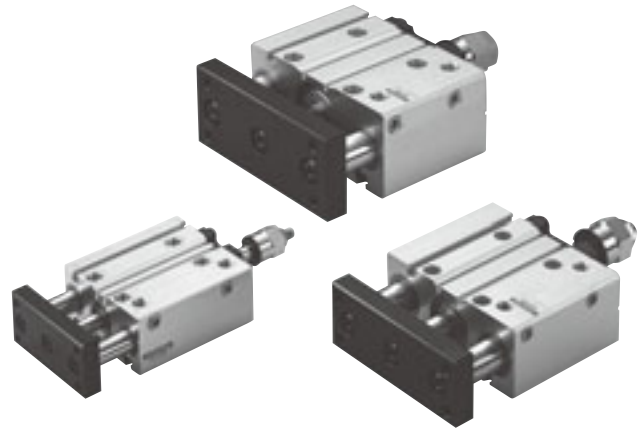
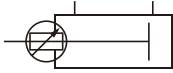
Note: The V dimension shows the side connection port location.

Code Bore mm [in.]	Z	AA	AB	AC	AD	AE	AF	T-slot		BA	BB	BC	BD	BE	BF	BG	BH
								A1	B1								
12 [0.472]	M5×0.8 Depth 8	6	6	M5×0.8	M4×0.7	M4×0.7 Depth 8	15	M3×0.5	M4×0.7	3.3	5.8	3	1.5	4.3	7.3	3.5	2.5
16 [0.630]	M5×0.8 Depth 11	8	8	M5×0.8	M5×0.8	M5×0.8 Depth 10	23	M4×0.7	M4×0.7	4.3	7.3	3.5	1.5	4.3	7.3	3.5	3
20 [0.787]	M6×1 Depth 12	12	10	Rc1/8	M6×1	M6×1 Depth 12	27	M4×0.7	M5×0.8	4.3	7.3	4	3	5.3	8.3	4.5	3
25 [0.984]	M6×1 Depth 12	13	12	Rc1/8	M6×1	M6×1 Depth 12	28	M4×0.7	M5×0.8	4.3	7.3	4	3	5.3	8.3	4.5	3
32 [1.260]	M8×1.25 Depth 16	16	16	Rc1/8	M8×1.25	M8×1.25 Depth 16	36	M5×0.8	M5×0.8	5.3	8.3	4.5	3	5.3	8.3	4.5	3
40 [1.575]	M8×1.25 Depth 16	16	16	Rc1/8	M8×1.25	M8×1.25 Depth 16	32	M5×0.8	M6×1	5.3	8.3	4.5	3	6.3	10.3	5.5	3
50 [1.969]	M10×1.5 Depth 20	20	20	Rc1/4	M10×1.5	M10×1.5 Depth 20	39	M5×0.8	M8×1.25	5.3	8.3	4.5	3	8.3	13.3	7	4.5
63 [2.480]	M10×1.5 Depth 20	20	20	Rc1/4	M10×1.5	M10×1.5 Depth 20	39	M5×0.8	M8×1.25	5.3	8.3	4.5	3	8.3	13.3	7	4.5

JIG CYLINDERS WITH GUIDES

Stroke Adjusting Cylinders $\phi 12 \sim \phi 63$

Symbol



Specifications

Item	Bore size mm [in.]	12 [0.472]	16 [0.630]	20 [0.787]	25 [0.984]	32 [1.260]	40 [1.575]	50 [1.969]	63 [2.480]
Operation type		Double acting type							
Media		Air							
Operating pressure range	MPa [psi.]	0.15~1.0 [22~145]				0.1~1.0 [15~145]			
Proof pressure	MPa [psi.]	1.5 [218]							
Operating temperature range	°C [°F]	0~60 [32~140]							
Operating speed range	mm/s [in./sec.]	100~500 [3.9~19.7]							
Cushion		Rubber bumper							
Lubrication		Not required (If lubrication is required, use Turbine Oil Class 1 [ISO VG32] or equivalent.)							
Port size		M5×0.8			Rc1/8			Rc1/4	
Push side stroke adjusting range	mm [in.]	0~-10 [0~-0.394] (With respect to the specification stroke)							

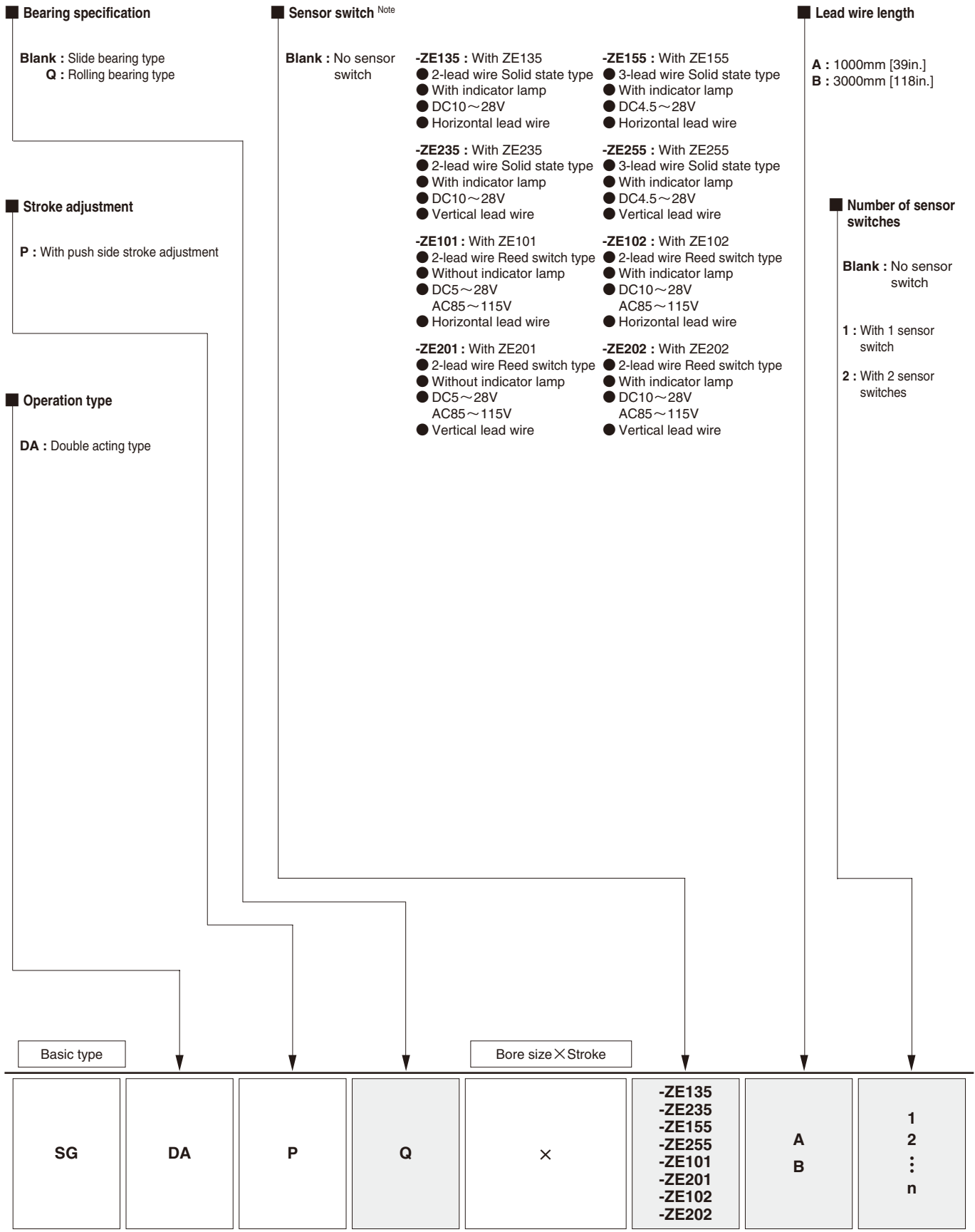
Bore Size and Stroke

Bore size	Standard strokes	Maximum available stroke
12	10, 20, 30, 40, 50, 75, 100	100
16		
20	10, 20, 30, 40, 50, 75, 100, 125, 150, 175, 200	200
25		
32		
40		
50		
63		

Remark: For strokes of 75mm or longer, use long bushing type.

JIG CYLINDERS WITH GUIDES $\phi 12 \sim \phi 63$

Order Codes for Stroke Adjusting Cylinder



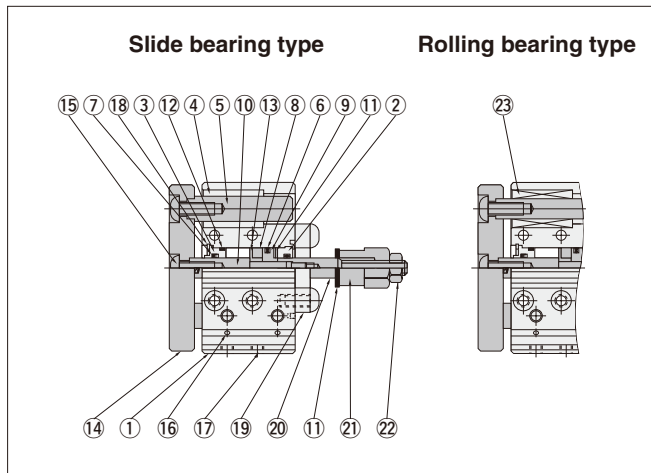
● See the bore size and stroke table on p.714.
 ● For the order codes of sensor switches only, see p.733.

Note: For details of sensor switches, see p.733.

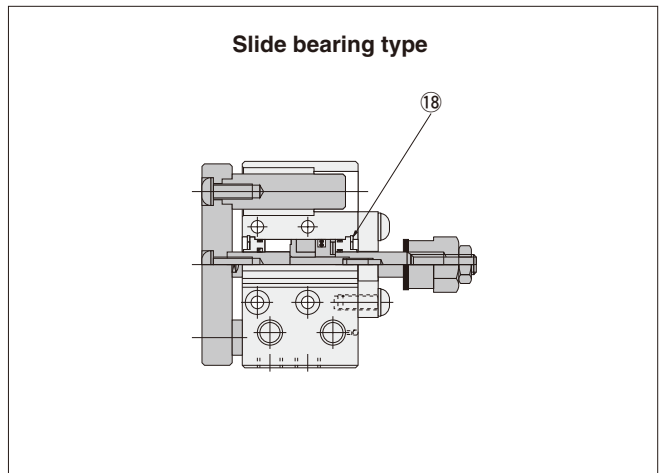
Inner Construction and Major Parts

Stroke adjusting cylinder

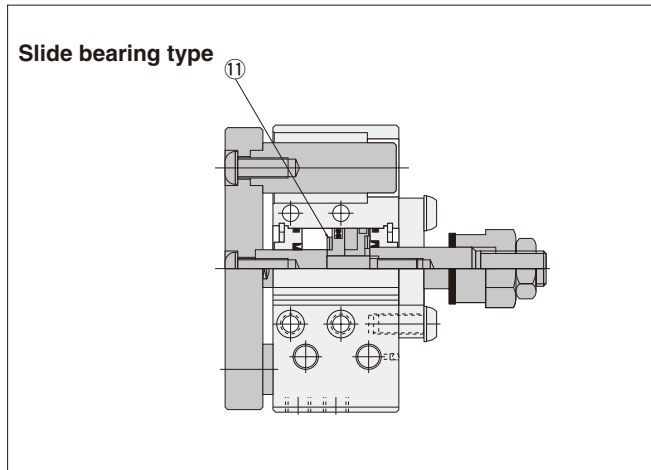
● $\phi 12$



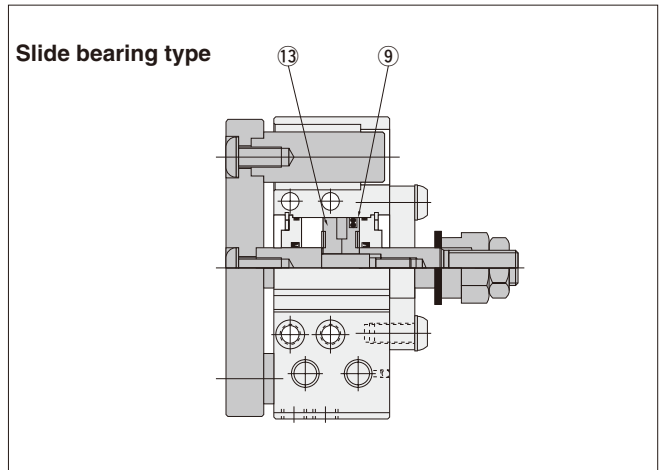
● $\phi 16, \phi 20, \phi 25$ ※



● $\phi 32, \phi 40$ ※



● $\phi 50, \phi 63$ ※



※ Same structure for the $\phi 16 \sim \phi 63$ rolling bearing type and scraper specification
 Remark: The number of bearings for 50mm stroke or shorter is 1 bearing per shaft. At 75mm stroke or longer, 2 bearings per shaft. The plate, piston rod, and guide rod cannot be disassembled.

Major Parts and Materials

No.	Parts	Bore mm [in.]	12 [0.472]	16 [0.630]	20 [0.787]	25 [0.984]	32 [1.260]	40 [1.575]	50 [1.969]	63 [2.480]
①	Cylinder body		Aluminum alloy (anodized)							
②	Head cover		Aluminum alloy (special wear-resistant treatment)							
③	Rod cover		Aluminum alloy (special wear-resistant treatment)							
④	Slide bearing		Aluminum alloy (special wear-resistant treatment)							
⑤	Guide rod		Steel (hard chrome plated) (rolling bearing type: Steel)							
⑥	Piston seal		Synthetic rubber (NBR)							
⑦	Rod seal		Synthetic rubber (NBR)							
⑧	Magnet		Plastic magnet							
⑨	Piston		Aluminum alloy (special rust prevention treatment)							
⑩	Piston rod		Stainless steel (hard chrome plated)				Steel (hard chrome plated)			
⑪	Bumper		Synthetic rubber (NBR)							
⑫	O-ring		Synthetic rubber (NBR)							
⑬	Support		Aluminum alloy (special rust prevention treatment)							
⑭	Plate		Aluminum alloy (black anodized)							
⑮	Bolt		Steel (nickel plated)							
⑯	Steel ball		Steel							
⑰	Plug		Mild steel (zinc plated)							
⑱	Snap ring		Steel (phosphate coating)							
⑲	Stopper		Aluminum alloy (black anodized)							
⑳	Adjusting rod		Stainless steel (hard chrome plated)				Steel (hard chrome plated)			
㉑	Adjusting nut		Mild steel (zinc plated)							
㉒	Hexagon nut		Mild steel (zinc plated)							
㉓	Rolling bearing		Steel, plastic							

Seals

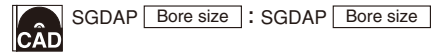
Bore size mm	Type	Stroke adjusting cylinder			
	Parts	Rod seal	Piston seal	Tube gasket	
				Rod side	Head side
12		MYR-6	COP-12	Y090260	None
16		MYR-8	COP-16	Y090207	Y090207
20		MYR-10	COP-20	Y090216	Y090216
25		MYR-12	COP-25	Y090210	Y090210
32		MYR-16	COP-32	L090084	L090084
40		MYR-16	COP-40	L090151	L090151
50		MYR-20	COP-50	L090174	L090174
63		MYR-20	COP-63	L090180	L090180

Mass

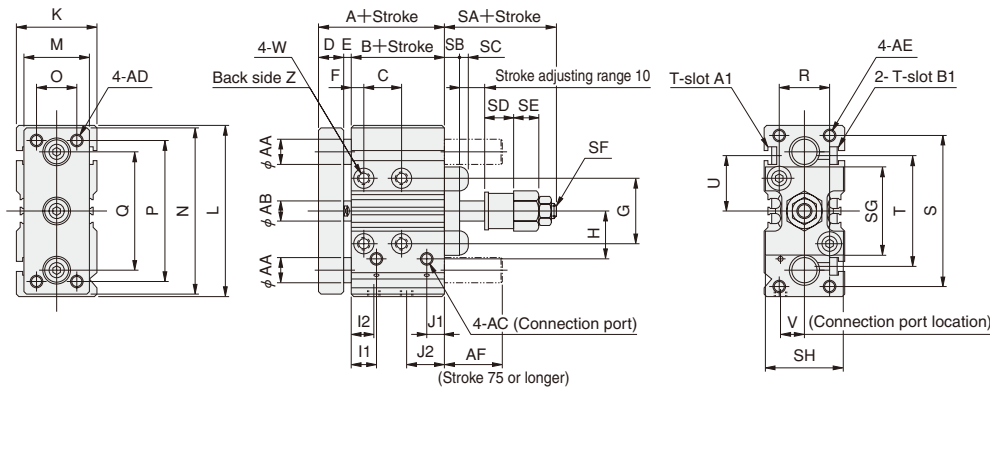
Bore size mm [in.]	Type	Mass	Stroke adjusting cylinder				Option	
			Slide bearing type		Rolling bearing type		Additional mass of sensor switch	
			Zero stroke mass	Additional mass for each 1mm [0.0394in.] stroke	Zero stroke mass	Additional mass for each 1mm [0.0394in.] stroke	ZE□□□A	ZE□□□B
12 [0.472]	50st or shorter	178 [6.28]	4.18 [0.1474]	168 [5.93]	3.82 [0.1347]	15 [0.53]	35 [1.23]	
	75st or longer	188 [6.63]	4.18 [0.1474]	178 [6.28]	3.82 [0.1347]			
16 [0.630]	50st or shorter	323 [11.39]	5.54 [0.1954]	284 [10.02]	5.52 [0.1947]			
	75st or longer	369 [13.02]	5.54 [0.1954]	341 [12.03]	5.52 [0.1947]			
20 [0.787]	50st or shorter	630 [22.22]	9.54 [0.3365]	560 [19.75]	8.92 [0.3146]			
	75st or longer	720 [25.40]	9.54 [0.3365]	760 [26.81]	8.92 [0.3146]			
25 [0.984]	50st or shorter	870 [30.69]	11.58 [0.4085]	795 [28.04]	10.89 [0.3841]			
	75st or longer	950 [33.51]	11.58 [0.4085]	870 [30.69]	10.89 [0.3841]			
32 [1.260]	50st or shorter	1200 [42.32]	17.4 [0.6138]	1151 [40.60]	15.08 [0.5319]			
	75st or longer	1400 [49.38]	17.4 [0.6138]	1344 [47.41]	15.08 [0.5319]			
40 [1.575]	50st or shorter	1520 [53.62]	18.98 [0.6695]	1380 [48.68]	17.15 [0.6049]			
	75st or longer	1720 [60.67]	18.98 [0.6695]	1580 [55.73]	17.15 [0.6049]			
50 [1.969]	50st or shorter	2600 [91.71]	28.5 [1.0053]	2434 [85.86]	25.4 [0.8959]			
	75st or longer	2970 [104.76]	28.5 [1.0053]	2840 [100.18]	25.4 [0.8959]			
63 [2.480]	50st or shorter	3130 [110.41]	31.79 [1.1213]	3030 [106.88]	29.11 [1.0268]			
	75st or longer	3430 [120.99]	31.79 [1.1213]	3400 [119.93]	29.11 [1.0268]			

Dimensions of Stroke Adjusting Cylinder (mm)

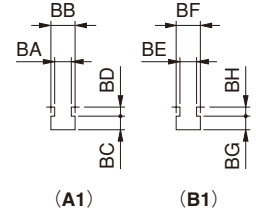
Slide bearing type **SGDAP** ×



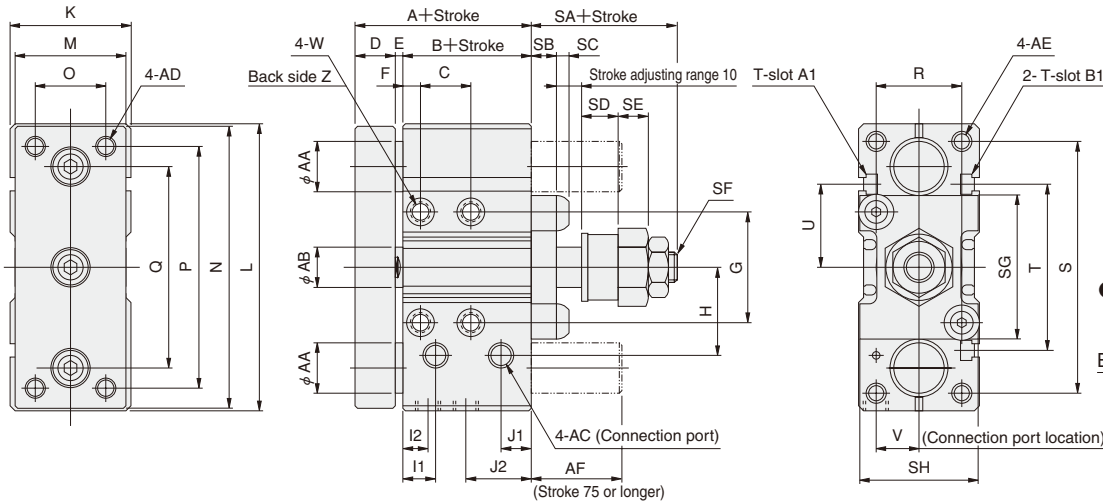
● $\phi 12$, $\phi 16$ (Drawings show $\phi 16$.)



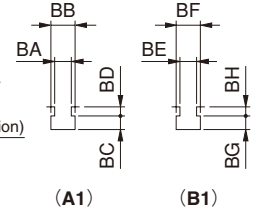
● T-slot A1, B1 dimensions



● $\phi 20 \sim \phi 63$ (Drawings show $\phi 32$.)



● T-slot A1, B1 dimensions



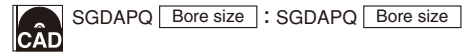
Code Bore mm [in.]	Code		C								D	E	F	G	H	I1	I2	J1	J2	K	L	M	N	O	P	Q	R	S	T	U	V ^{Note}	W
	A	B	Stroke																													
12 [0.472]	36	25	15	25	35	45	55	—	8	3	5	22	17	10	9	6	14	28	58	22	56	14	48	42	18	51	37	18.5	8.5	$\phi 4.2$ (Thru hole) Counterbore $\phi 8$ Depth 4.5		
16 [0.630]	40	27	15	25	35	45	55	—	10	3	5	26	19	10	9	7.5	16	32	68	26	66	16	56	47	20	60	44	22	9.5	$\phi 4.2$ (Thru hole) Counterbore $\phi 8$ Depth 4.5		
20 [0.787]	52	36	20	30	40	50	60	110	12	4	6	30	27	11	11	10	20	40	82	36	80	24	66	58	26	72	54	27	13.5	$\phi 5.2$ (Thru hole) Counterbore $\phi 9.5$ Depth 5.5		
25 [0.984]	54	38	20	30	40	50	60	110	12	4	6	33	29	12	12	10	21	42	92	38	90	26	76	63	30	80	54	27	14.5	$\phi 5.2$ (Thru hole) Counterbore $\phi 9.5$ Depth 5.5		
32 [1.260]	59	40	20	30	40	50	60	110	15	4	7	44	35	13	10	12	25	48	114	44	112	28	96	80	34	100	66	33	17	$\phi 6.8$ (Thru hole) Counterbore $\phi 11$ Depth 7		
40 [1.575]	63	44	20	30	40	50	60	110	15	4	7	52	40	14	14	13	25	54	124	50	122	34	106	90	40	106	82	41	18	$\phi 6.8$ (Thru hole) Counterbore $\phi 11$ Depth 7		
50 [1.969]	70	47	20	30	40	50	60	110	18	5	8	66	52.5	15.5	10	15	31	66	150	62	148	42	120	110	44	130	100	50	22	$\phi 8.6$ (Thru hole) Counterbore $\phi 14$ Depth 9		
63 [2.480]	70	47	20	30	40	50	60	110	18	5	8	78	60	17	10	14	31	76	162	72	160	52	132	122	44	144	120	60	24	$\phi 8.6$ (Thru hole) Counterbore $\phi 14$ Depth 9		

Note: The V dimension shows the side connection port location.

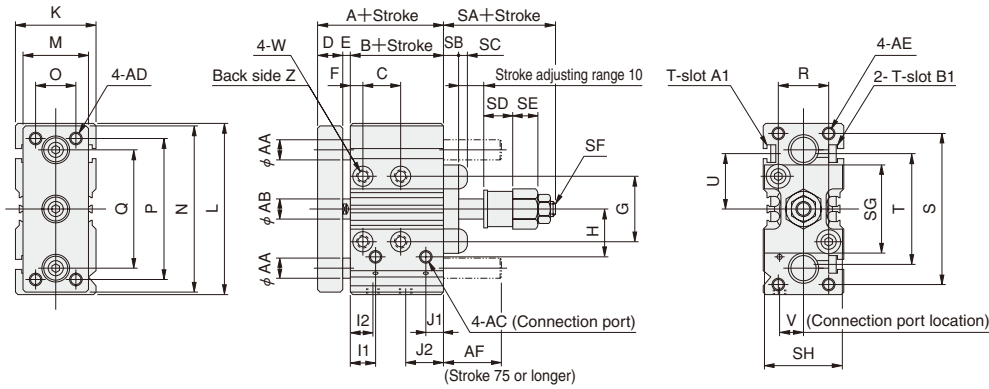
Code Bore mm [in.]	Z	AA	AB	AC	AD	AE	AF	Stroke adjustment							T-slot		BA	BB	BC	BD	BE	BF	BG	BH	
								SA	SB	SC	SD	SE	SF	SG	SH	A1									B1
12 [0.472]	M5×0.8 Depth 8	8	6	M5×0.8	M4×0.7	M4×0.7 Depth 8	15	31.5	6	0.6	9.7	10	M5×21	32	27	M3×0.5	M4×0.7	3.3	5.8	3	1.5	4.3	7.3	3.5	2.5
16 [0.630]	M5×0.8 Depth 11	10	8	M5×0.8	M5×0.8	M5×0.8 Depth 10	23	34.4	6	3.4	11.5	10	M6×23	35.5	31	M4×0.7	M4×0.7	4.3	7.3	3.5	1.5	4.3	7.3	3.5	3
20 [0.787]	M6×1 Depth 12	14	10	Rc1/8	M6×1	M6×1 Depth 12	27	36.8	8	4	12	10	M8×25	42	36.5	M4×0.7	M5×0.8	4.3	7.3	4	3	5.3	8.3	4.5	3
25 [0.984]	M6×1 Depth 12	16	12	Rc1/8	M6×1	M6×1 Depth 12	28	40.5	8	4	12.5	12	M10×27	45	40.5	M4×0.7	M5×0.8	4.3	7.3	4	3	5.3	8.3	4.5	3
32 [1.260]	M8×1.25 Depth 16	20	16	Rc1/8	M8×1.25	M8×1.25 Depth 16	36	48.5	10	5	14.5	12	M14×31	58	48	M5×0.8	M5×0.8	5.3	8.3	4.5	3	5.3	8.3	4.5	3
40 [1.575]	M8×1.25 Depth 16	20	16	Rc1/8	M8×1.25	M8×1.25 Depth 16	32	47	10	5	14.5	12	M14×31	67	54	M5×0.8	M6×1	5.3	8.3	4.5	3	6.3	10.3	5.5	3
50 [1.969]	M10×1.5 Depth 20	25	20	Rc1/4	M10×1.5	M10×1.5 Depth 20	39	53	12	6	13	15	M18×35	83.5	62	M5×0.8	M8×1.25	5.3	8.3	4.5	3	8.3	13.3	7	4.5
63 [2.480]	M10×1.5 Depth 20	25	20	Rc1/4	M10×1.5	M10×1.5 Depth 20	39	54	12	6	13	15	M18×35	95.5	64	M5×0.8	M8×1.25	5.3	8.3	4.5	3	8.3	13.3	7	4.5

Dimensions of Stroke Adjusting Cylinder (mm)

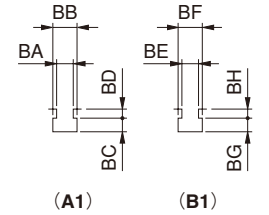
Rolling bearing type **SGDAPQ** ×



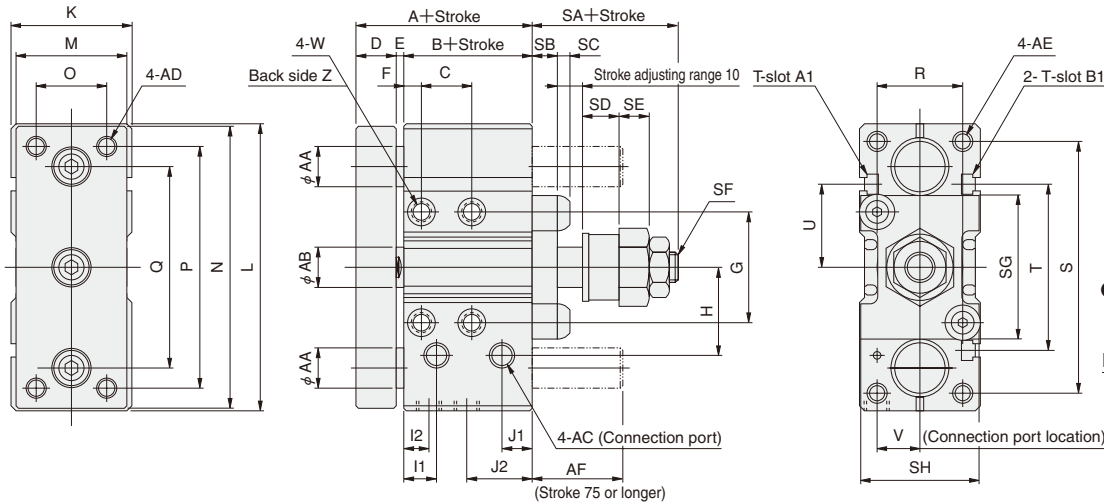
● $\phi 12$, $\phi 16$ (Drawings show $\phi 16$.)



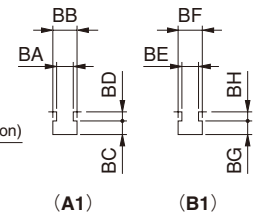
● T-slot A1, B1 dimensions



● $\phi 20 \sim \phi 63$ (Drawings show $\phi 32$.)



● T-slot A1, B1 dimensions



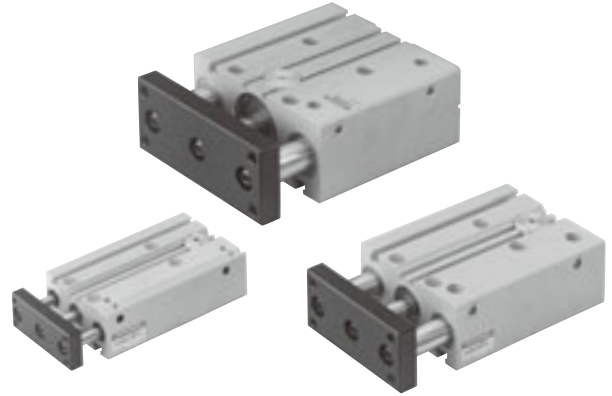
Code	Bore		C								D	E	F	G	H	I1	I2	J1	J2	K	L	M	N	O	P	Q	R	S	T	U	V ^{Note}	W
	A	B	10	20	30	40	50~100	125 or more																								
12 [0.472]	36	25	15	25	35	45	55	—	8	3	5	22	17	10	9	6	14	28	58	22	56	14	48	42	18	51	37	18.5	8.5	$\phi 4.2$ (Thru hole) Counterbore $\phi 8$ Depth 4.5		
16 [0.630]	40	27	15	25	35	45	55	—	10	3	5	26	19	10	9	7.5	16	32	68	26	66	16	56	47	20	60	44	22	9.5	$\phi 4.2$ (Thru hole) Counterbore $\phi 8$ Depth 4.5		
20 [0.787]	52	36	20	30	40	50	60	110	12	4	6	30	27	11	11	10	20	40	82	36	80	24	66	58	26	72	54	27	13.5	$\phi 5.2$ (Thru hole) Counterbore $\phi 9.5$ Depth 5.5		
25 [0.984]	54	38	20	30	40	50	60	110	12	4	6	33	29	12	12	10	21	42	92	38	90	26	76	63	30	80	54	27	14.5	$\phi 5.2$ (Thru hole) Counterbore $\phi 9.5$ Depth 5.5		
32 [1.260]	59	40	20	30	40	50	60	110	15	4	7	44	35	13	10	12	25	48	114	44	112	28	96	80	34	100	66	33	17	$\phi 6.8$ (Thru hole) Counterbore $\phi 11$ Depth 7		
40 [1.575]	63	44	20	30	40	50	60	110	15	4	7	52	40	14	14	13	25	54	124	50	122	34	106	90	40	106	82	41	18	$\phi 6.8$ (Thru hole) Counterbore $\phi 11$ Depth 7		
50 [1.969]	70	47	20	30	40	50	60	110	18	5	8	66	52.5	15.5	10	15	31	66	150	62	148	42	120	110	44	130	100	50	22	$\phi 8.6$ (Thru hole) Counterbore $\phi 14$ Depth 9		
63 [2.480]	70	47	20	30	40	50	60	110	18	5	8	78	60	17	10	14	31	76	162	72	160	52	132	122	44	144	120	60	24	$\phi 8.6$ (Thru hole) Counterbore $\phi 14$ Depth 9		

Note: The V dimension shows the side connection port location.

Code	Z	AA	AB	AC	AD	AE	AF	Stroke adjustment								T-slot		BA	BB	BC	BD	BE	BF	BG	BH
								SA	SB	SC	SD	SE	SF	SG	SH	A1	B1								
12 [0.472]	M5×0.8 Depth 8	6	6	M5×0.8	M4×0.7	M4×0.7 Depth 8	15	31.5	6	0.6	9.7	10	M5×21	32	27	M3×0.5	M4×0.7	3.3	5.8	3	1.5	4.3	7.3	3.5	2.5
16 [0.630]	M5×0.8 Depth 11	8	8	M5×0.8	M5×0.8	M5×0.8 Depth 10	23	34.4	6	3.4	11.5	10	M6×23	35.5	31	M4×0.7	M4×0.7	4.3	7.3	3.5	1.5	4.3	7.3	3.5	3
20 [0.787]	M6×1 Depth 12	12	10	Rc1/8	M6×1	M6×1 Depth 12	27	36.8	8	4	12	10	M8×25	42	36.5	M4×0.7	M5×0.8	4.3	7.3	4	3	5.3	8.3	4.5	3
25 [0.984]	M6×1 Depth 12	13	12	Rc1/8	M6×1	M6×1 Depth 12	28	40.5	8	4	12.5	12	M10×27	45	40.5	M4×0.7	M5×0.8	4.3	7.3	4	3	5.3	8.3	4.5	3
32 [1.260]	M8×1.25 Depth 16	16	16	Rc1/8	M8×1.25	M8×1.25 Depth 16	36	48.5	10	5	14.5	12	M14×31	58	48	M5×0.8	M5×0.8	5.3	8.3	4.5	3	5.3	8.3	4.5	3
40 [1.575]	M8×1.25 Depth 16	16	16	Rc1/8	M8×1.25	M8×1.25 Depth 16	32	47	10	5	14.5	12	M14×31	67	54	M5×0.8	M6×1	5.3	8.3	4.5	3	6.3	10.3	5.5	3
50 [1.969]	M10×1.5 Depth 20	20	20	Rc1/4	M10×1.5	M10×1.5 Depth 20	39	53	12	6	13	15	M18×35	83.5	62	M5×0.8	M8×1.25	5.3	8.3	4.5	3	8.3	13.3	7	4.5
63 [2.480]	M10×1.5 Depth 20	20	20	Rc1/4	M10×1.5	M10×1.5 Depth 20	39	54	12	6	13	15	M18×35	95.5	64	M5×0.8	M8×1.25	5.3	8.3	4.5	3	8.3	13.3	7	4.5

JIG CYLINDERS WITH GUIDES

End Keep Cylinders $\phi 12 \sim \phi 63$



Symbols

- Head side end keep
- Rod side end keep



Specifications

Item	Bore size mm [in.]	12 [0.472]	16 [0.630]	20 [0.787]	25 [0.984]	32 [1.260]	40 [1.575]	50 [1.969]	63 [2.480]
Operation type		Double acting type							
Media		Air							
Operating pressure range	MPa [psi.]	0.2~1.0 [29~145]			0.15~1.0 [22~145]				
Proof pressure	MPa [psi.]	1.5 [218]							
Operating temperature range	°C [°F]	0~60 [32~140]							
Operating speed range	mm/s [in./sec.]	100~500 [3.9~19.7]							
Cushion		Rubber bumper							
Lubrication		Not required (If lubrication is required, use Turbine Oil Class 1 [ISO VG32] or equivalent.)							
Port size		M5×0.8			Rc1/8			Rc1/4	
Stroke tolerance	mm [in.]	$+1.5 \begin{matrix} +0.059 \\ 0 \end{matrix}$							
Maximum holding force (At end keep) ^{Note}	N [lbf.]	79.1 [17.8]	140.7 [31.6]	219.8 [49.4]	343.4 [77.2]	562.7 [126.5]	879.2 [197.6]	1373.8 [308.8]	2181 [490.3]
Backlash (At end keep)	mm [in.]	1.5 [0.059]			2.0 [0.079]				

Note: Durability at maximum holding force is 0.5million operations.

Bore Size and Stroke

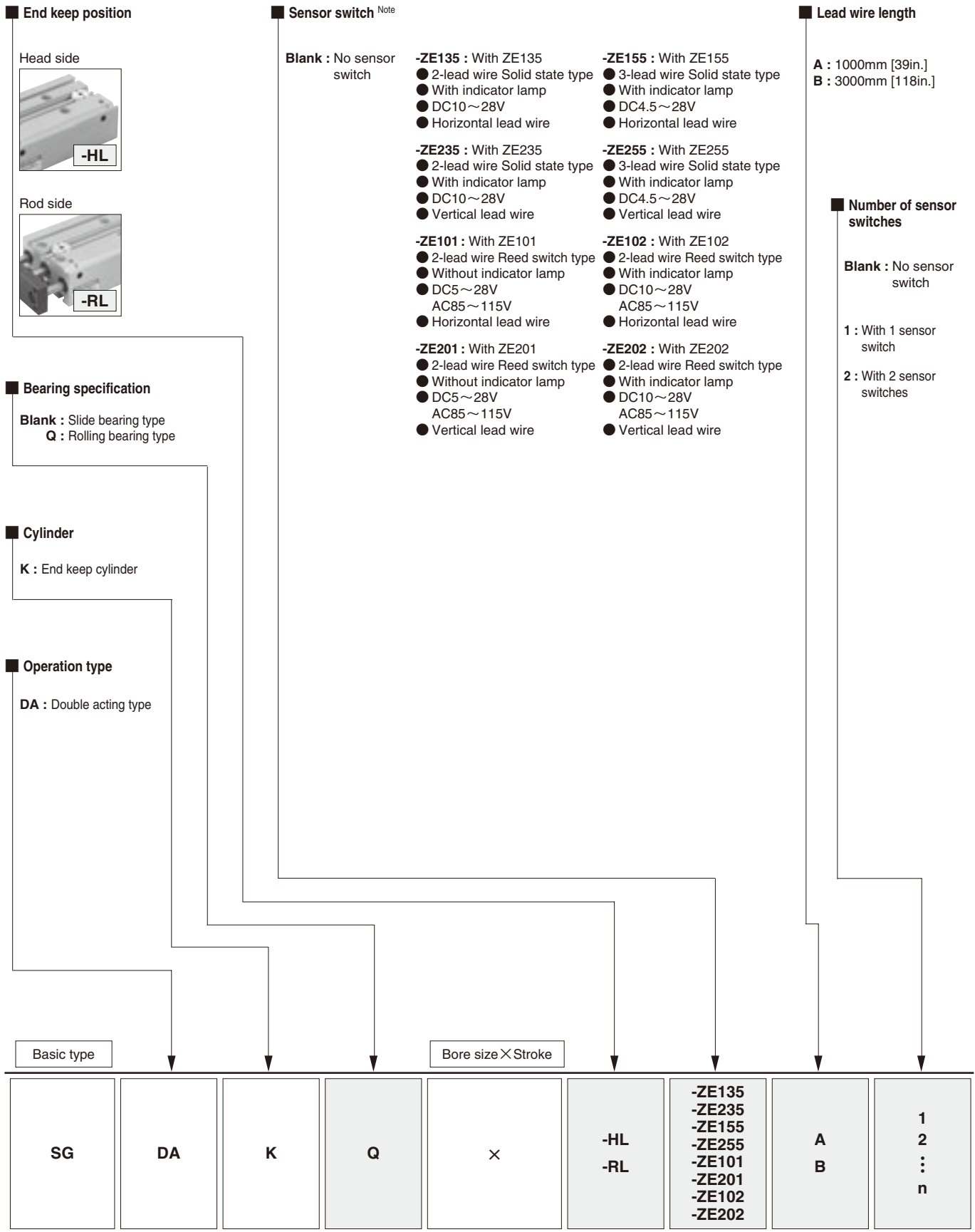
Bore size	Standard strokes	Maximum available stroke
12	10, 20, 30, 40, 50, 75, 100	100
16		
20	10, 20, 30, 40, 50, 75, 100, 125, 150, 175, 200	200
25		
32		
40		
50		
63		

Remarks: 1. Non-standard strokes are available at 5mm intervals. Since the manufacturing method is collar packed, the total length, etc., are the same dimensions as the next size up standard stroke cylinder.

(Note that this cannot be applicable to rod side end keep)

2. For strokes of 75mm or longer, use long bushing type.

Order Codes for End Keep Cylinder



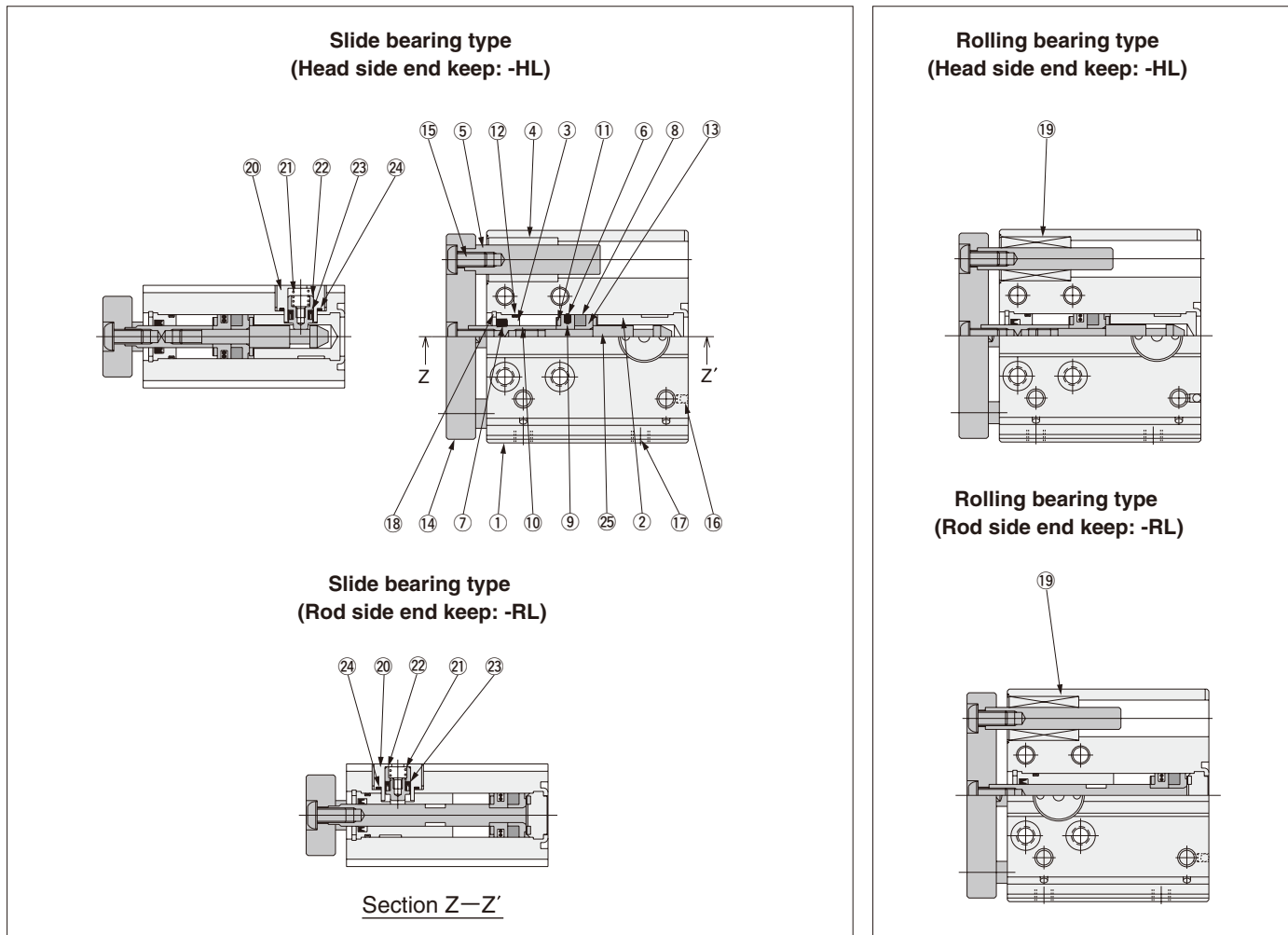
● See the bore size and stroke on p.720.

● For the order codes for sensor switches only, see p.733.

Note: For details of sensor switches, see p.733

Inner Construction and Major Parts

■ End keep cylinder (Diagram is for $\phi 12$ [0.472in.]..)



Remark: The number of bearings for 50mm stroke or shorter is 1 bearing per shaft. At 75mm stroke or longer, 2 bearings per shaft. The plate, piston rod, and guide rod cannot be disassembled.

Major Parts and Materials

No.	Parts	Bore mm	12	16	20	25	32	40	50	63	
①	Cylinder body		Aluminum alloy (anodized)								
②	Head cover		Aluminum alloy (anodized)								
③	Rod cover		Aluminum alloy (special wear-resistant treatment)								
④	Slide bearing		Aluminum alloy (special wear-resistant treatment)								
⑤	Guide rod		Steel (hard chrome plated) [rolling bearing type: Steel]								
⑥	Piston seal		Synthetic rubber (NBR)								
⑦	Rod seal		Synthetic rubber (NBR)								
⑧	Magnet		Plastic magnet								
⑨	Piston		Aluminum alloy (special rust prevention treatment)								
⑩	Piston rod		Stainless steel (hard chrome plated)				Steel (hard chrome plated)				
⑪	Bumper		Synthetic rubber (NBR)								
⑫	O-ring (cylinder section)		Synthetic rubber (NBR)								
⑬	Support		Aluminum alloy (special rust prevention treatment)								
⑭	Plate		Aluminum alloy (black anodized)								
⑮	Bolt		Steel (nickel plated)								
⑯	Steel ball		Steel								
⑰	Plug		Mild steel (zinc plated)								
⑱	Snap ring		Steel (phosphate coating)								
⑲	Rolling bearing		Steel, plastic								
⑳	Lock guide		Aluminum alloy (anodized)								
㉑	Spring		Piano wire								
㉒	Lock piston		Stainless steel								
㉓	Lock piston seal		Synthetic rubber (NBR)								
㉔	O-ring (lock guide section)		Synthetic rubber (NBR)								
㉕	Lock end		Stainless steel (hard chrome plated)				Steel (zinc plated)				

JIG CYLINDERS WITH GUIDES $\phi 12 \sim \phi 63$

Seals

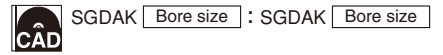
Type Parts Bore size mm	End keep cylinder					
	Rod seal	Piston seal	Tube gasket		Lock piston seal	Lock guide gasket
			Rod side	Head side		
12	MYR-6	COP-12	Y090260	None	MYN-4	Y090066
16	MYR-8	COP-16	Y090207	Y090207	MYN-4	Y090066
20	MYR-10	COP-20	Y090216	Y090216	MYN-5	Y090225
25	MYR-12	COP-25	Y090210	Y090210	MYN-5	Y090225
32	MYR-16	COP-32	L090084	L090084	MYN-10A	Y090217
40	MYR-16	COP-40	L090151	L090151	MYN-10A	Y090217
50	MYR-20	COP-50	L090174	L090174	MYN-16	Y090237
63	MYR-20	COP-63	L090180	L090180	MYN-16	Y090237

Mass

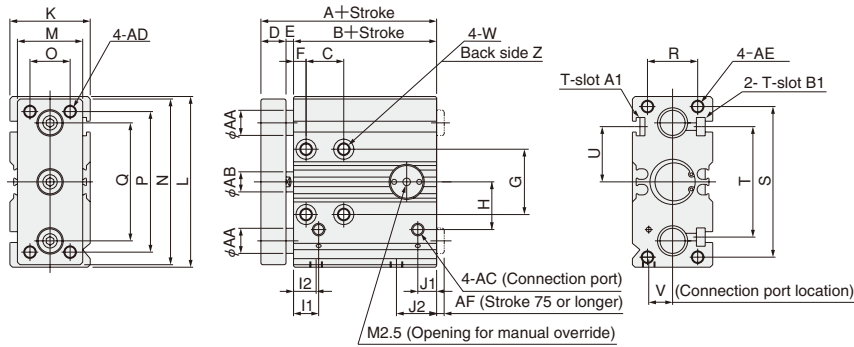
Type Mass Bore size mm [in.]		End keep cylinder				Option	
		Slide bearing type		Rolling bearing type		Additional mass of sensor switch	
		Zero stroke mass	Additional mass for each 1mm [0.0394in.] stroke	Zero stroke mass	Additional mass for each 1mm [0.0394in.] stroke	ZE□□□□A	ZE□□□□B
12 [0.472]	50st or shorter	146 [5.15]	3.99 [0.1407]	139 [4.90]	3.63 [0.1280]	15 [0.53]	35 [1.23]
	75st or longer	156 [5.50]	3.99 [0.1407]	149 [5.26]	3.63 [0.1280]		
16 [0.630]	50st or shorter	277 [9.77]	5.2 [0.183]	238 [8.40]	5.17 [0.1824]		
	75st or longer	307 [10.83]	5.2 [0.183]	279 [9.84]	5.17 [0.1824]		
20 [0.787]	50st or shorter	490 [17.28]	9.0 [0.317]	421 [14.85]	8.4 [0.2963]		
	75st or longer	540 [19.05]	9.0 [0.317]	502 [17.71]	8.4 [0.2963]		
25 [0.984]	50st or shorter	687 [24.23]	10.81 [0.3813]	617 [21.76]	10.12 [0.3570]		
	75st or longer	765 [26.98]	10.81 [0.3813]	695 [24.51]	10.12 [0.3570]		
32 [1.260]	50st or shorter	1027 [36.23]	16 [0.564]	1018 [35.91]	13.71 [0.4836]		
	75st or longer	1404 [49.52]	16 [0.564]	1233 [43.49]	13.71 [0.4836]		
40 [1.575]	50st or shorter	1313 [46.31]	17.61 [0.6212]	1213 [42.79]	15.78 [0.5566]		
	75st or longer	1553 [54.78]	17.61 [0.6212]	1513 [53.37]	15.78 [0.5566]		
50 [1.969]	50st or shorter	2123 [74.89]	26.5 [0.935]	2057 [72.56]	23.27 [0.8208]		
	75st or longer	2426 [85.57]	26.5 [0.935]	2394 [84.44]	23.27 [0.8208]		
63 [2.480]	50st or shorter	2760 [97.35]	29.65 [1.0459]	2690 [94.89]	26.97 [0.9513]		
	75st or longer	3060 [107.94]	29.65 [1.0459]	3028 [106.81]	26.97 [0.9513]		

Dimensions of -HL Head Side End Keep Cylinder (mm)

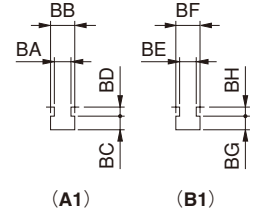
Slide bearing type **SGDAK** × -HL



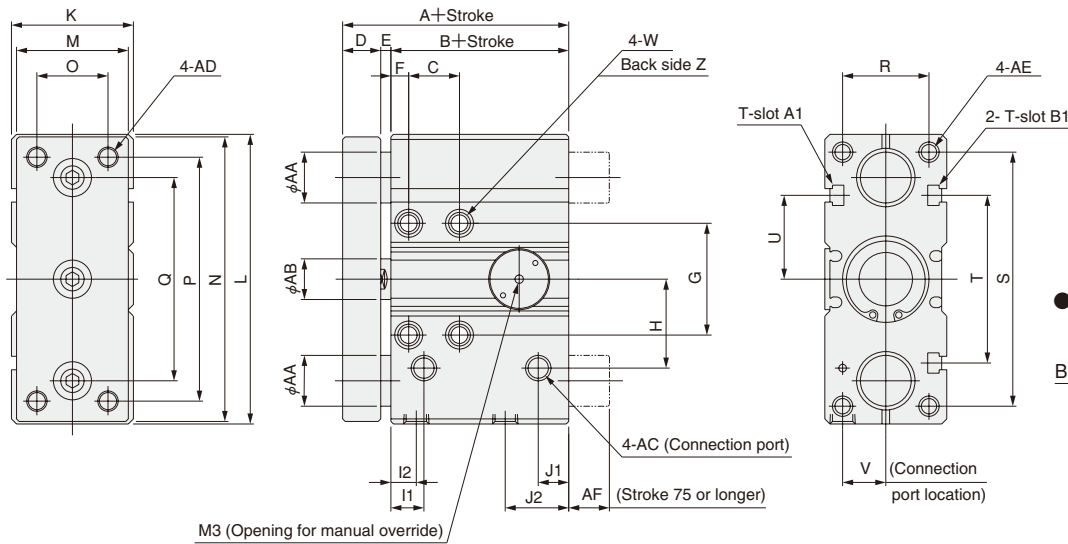
● $\phi 12$, $\phi 16$ (Drawings show $\phi 16$.)



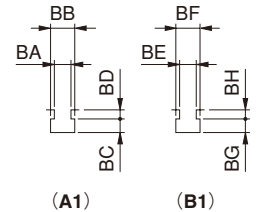
● T-slot A1, B1 dimensions



● $\phi 20 \sim \phi 63$ (Drawings show $\phi 32$.)



● T-slot A1, B1 dimensions




Code	A	B	C							D	E	F	G	H	I1	I2	J1	J2	K	L	M	N	O	P	Q	R	S	T	U	V ^{Note}	W
			Stroke	10	20	30	40	50~100	125 or more																						
12 [0.472]	56	45	15	25	35	45	55	—	8	3	5	22	17	10	9	6	14	28	58	22	56	14	48	42	18	51	37	18.5	8.5	$\phi 4.2$ (Thru hole) Counterbore $\phi 8$ Depth 4.5	
16 [0.630]	60	47	15	25	35	45	55	—	10	3	5	26	19	10	9	7.5	16	32	68	26	66	16	56	47	20	60	44	22	9.5	$\phi 4.2$ (Thru hole) Counterbore $\phi 8$ Depth 4.5	
20 [0.787]	72	56	20	30	40	50	60	110	12	4	6	30	27	11	11	10	20	40	82	36	80	24	66	58	26	72	54	27	13.5	$\phi 5.2$ (Thru hole) Counterbore $\phi 9.5$ Depth 5.5	
25 [0.984]	74	58	20	30	40	50	60	110	12	4	6	33	29	12	12	10	21	42	92	38	90	26	76	63	30	80	54	27	14.5	$\phi 5.2$ (Thru hole) Counterbore $\phi 9.5$ Depth 5.5	
32 [1.260]	79	60	20	30	40	50	60	110	15	4	7	44	35	13	10	12	25	48	114	44	112	28	96	80	34	100	66	33	17	$\phi 6.8$ (Thru hole) Counterbore $\phi 11$ Depth 7	
40 [1.575]	83	64	20	30	40	50	60	110	15	4	7	52	40	14	14	13	25	54	124	50	122	34	106	90	40	106	82	41	18	$\phi 6.8$ (Thru hole) Counterbore $\phi 11$ Depth 7	
50 [1.969]	100	77	20	30	40	50	60	110	18	5	8	66	52.5	15.5	10	15	31	66	150	62	148	42	120	110	44	130	100	50	22	$\phi 8.6$ (Thru hole) Counterbore $\phi 14$ Depth 9	
63 [2.480]	100	77	20	30	40	50	60	110	18	5	8	78	60	17	10	14	31	76	162	72	160	52	132	122	44	144	120	60	24	$\phi 8.6$ (Thru hole) Counterbore $\phi 14$ Depth 9	

Note: The V dimension shows the side connection port location.

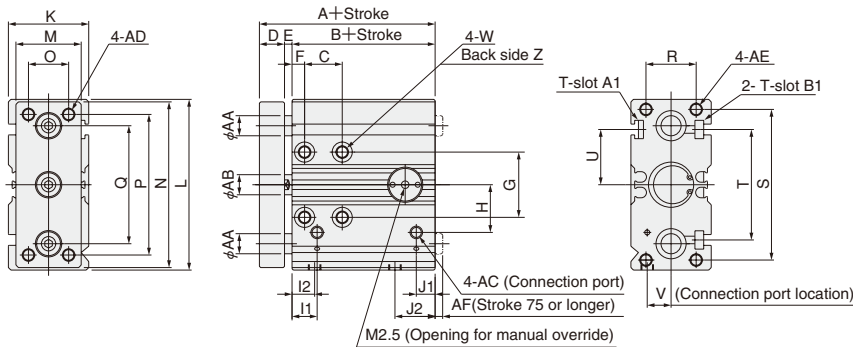
Code	Z	AA	AB	AC	AD	AE	AF	T-slot		BA	BB	BC	BD	BE	BF	BG	BH
								A1	B1								
12 [0.472]	M5×0.8 Depth 8	8	6	M5×0.8	M4×0.7	M4×0.7 Depth 8	—	M3×0.5	M4×0.7	3.3	5.8	3	1.5	4.3	7.3	3.5	2.5
16 [0.630]	M5×0.8 Depth 11	10	8	M5×0.8	M5×0.8	M5×0.8 Depth 10	3	M4×0.7	M4×0.7	4.3	7.3	3.5	1.5	4.3	7.3	3.5	3
20 [0.787]	M6×1 Depth 12	14	10	Rc1/8	M6×1	M6×1 Depth 12	7	M4×0.7	M5×0.8	4.3	7.3	4	3	5.3	8.3	4.5	3
25 [0.984]	M6×1 Depth 12	16	12	Rc1/8	M6×1	M6×1 Depth 12	8	M4×0.7	M5×0.8	4.3	7.3	4	3	5.3	8.3	4.5	3
32 [1.260]	M8×1.25 Depth 16	20	16	Rc1/8	M8×1.25	M8×1.25 Depth 16	16	M5×0.8	M5×0.8	5.3	8.3	4.5	3	5.3	8.3	4.5	3
40 [1.575]	M8×1.25 Depth 16	20	16	Rc1/8	M8×1.25	M8×1.25 Depth 16	12	M5×0.8	M6×1	5.3	8.3	4.5	3	6.3	10.3	5.5	3
50 [1.969]	M10×1.5 Depth 20	25	20	Rc1/4	M10×1.5	M10×1.5 Depth 20	9	M5×0.8	M8×1.25	5.3	8.3	4.5	3	8.3	13.3	7	4.5
63 [2.480]	M10×1.5 Depth 20	25	20	Rc1/4	M10×1.5	M10×1.5 Depth 20	9	M5×0.8	M8×1.25	5.3	8.3	4.5	3	8.3	13.3	7	4.5

JIG CYLINDERS WITH GUIDES $\phi 12 \sim \phi 63$

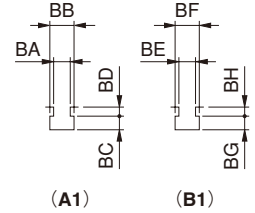
Dimensions of -HL Head Side End Keep Cylinder (mm)

Rolling bearing type **SGDAKQ** × -HL  SGDAKQ : SGDAKQ

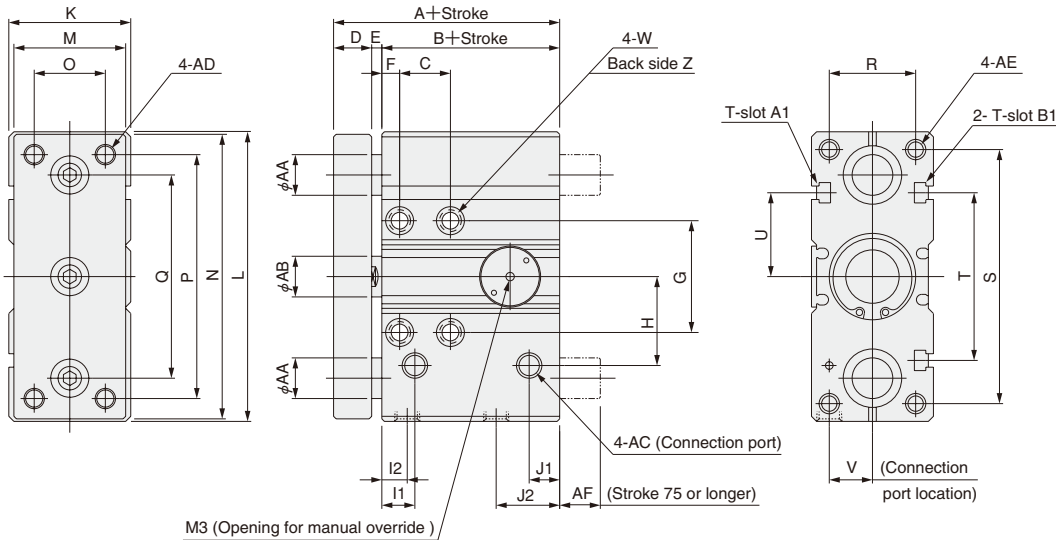
● $\phi 12$, $\phi 16$ (Drawings show $\phi 16$.)



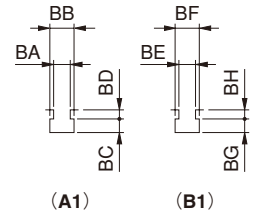
● T-slot A1, B1 dimensions



● $\phi 20 \sim \phi 63$ (Drawings show $\phi 32$.)



● T-slot A1, B1 dimensions



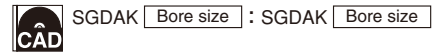
Code Bore mm [in.]	A	B	C Stroke					D	E	F	G	H	I1	I2	J1	J2	K	L	M	N	O	P	Q	R	S	T	U	V ^{Note}	W	
			10	20	30	40	50~100																							125 or more
12 [0.472]	56	45	15	25	35	45	55	—	8	3	5	22	17	10	9	6	14	28	58	22	56	14	48	42	18	51	37	18.5	8.5	$\phi 4.2$ (Thru hole) Counterbore $\phi 8$ Depth 4.5
16 [0.630]	60	47	15	25	35	45	55	—	10	3	5	26	19	10	9	7.5	16	32	68	26	66	16	56	47	20	60	44	22	9.5	$\phi 4.2$ (Thru hole) Counterbore $\phi 8$ Depth 4.5
20 [0.787]	72	56	20	30	40	50	60	110	12	4	6	30	27	11	11	10	20	40	82	36	80	24	66	58	26	72	54	27	13.5	$\phi 5.2$ (Thru hole) Counterbore $\phi 9.5$ Depth 5.5
25 [0.984]	74	58	20	30	40	50	60	110	12	4	6	33	29	12	12	10	21	42	92	38	90	26	76	63	30	80	54	27	14.5	$\phi 5.2$ (Thru hole) Counterbore $\phi 9.5$ Depth 5.5
32 [1.260]	79	60	20	30	40	50	60	110	15	4	7	44	35	13	10	12	25	48	114	44	112	28	96	80	34	100	66	33	17	$\phi 6.8$ (Thru hole) Counterbore $\phi 11$ Depth 7
40 [1.575]	83	64	20	30	40	50	60	110	15	4	7	52	40	14	14	13	25	54	124	50	122	34	106	90	40	106	82	41	18	$\phi 6.8$ (Thru hole) Counterbore $\phi 11$ Depth 7
50 [1.969]	100	77	20	30	40	50	60	110	18	5	8	66	52.5	15.5	10	15	31	66	150	62	148	42	120	110	44	130	100	50	22	$\phi 8.6$ (Thru hole) Counterbore $\phi 14$ Depth 9
63 [2.480]	100	77	20	30	40	50	60	110	18	5	8	78	60	17	10	14	31	76	162	72	160	52	132	122	44	144	120	60	24	$\phi 8.6$ (Thru hole) Counterbore $\phi 14$ Depth 9

Note: The V dimension shows the side connection port location.

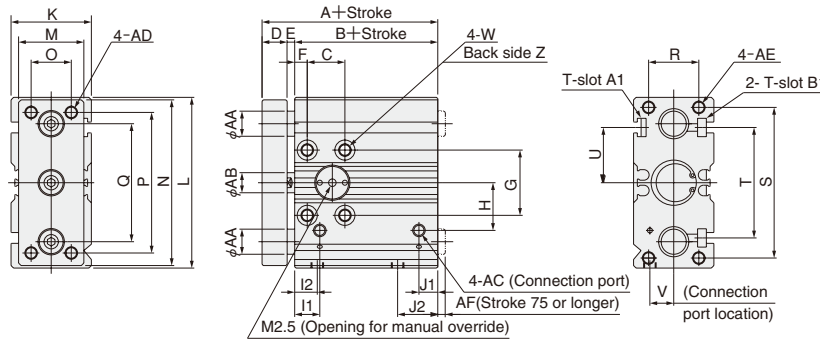
Code Bore mm [in.]	Z	AA	AB	AC	AD	AE	AF	T-slot		BA	BB	BC	BD	BE	BF	BG	BH
								A1	B1								
12 [0.472]	M5×0.8 Depth 8	6	6	M5×0.8	M4×0.7	M4×0.7 Depth 8	—	M3×0.5	M4×0.7	3.3	5.8	3	1.5	4.3	7.3	3.5	2.5
16 [0.630]	M5×0.8 Depth 11	8	8	M5×0.8	M5×0.8	M5×0.8 Depth 10	3	M4×0.7	M4×0.7	4.3	7.3	3.5	1.5	4.3	7.3	3.5	3
20 [0.787]	M6×1 Depth 12	12	10	Rc1/8	M6×1	M6×1 Depth 12	7	M4×0.7	M5×0.8	4.3	7.3	4	3	5.3	8.3	4.5	3
25 [0.984]	M6×1 Depth 12	13	12	Rc1/8	M6×1	M6×1 Depth 12	8	M4×0.7	M5×0.8	4.3	7.3	4	3	5.3	8.3	4.5	3
32 [1.260]	M8×1.25 Depth 16	16	16	Rc1/8	M8×1.25	M8×1.25 Depth 16	16	M5×0.8	M5×0.8	5.3	8.3	4.5	3	5.3	8.3	4.5	3
40 [1.575]	M8×1.25 Depth 16	16	16	Rc1/8	M8×1.25	M8×1.25 Depth 16	12	M5×0.8	M6×1	5.3	8.3	4.5	3	6.3	10.3	5.5	3
50 [1.969]	M10×1.5 Depth 20	20	20	Rc1/4	M10×1.5	M10×1.5 Depth 20	9	M5×0.8	M8×1.25	5.3	8.3	4.5	3	8.3	13.3	7	4.5
63 [2.480]	M10×1.5 Depth 20	20	20	Rc1/4	M10×1.5	M10×1.5 Depth 20	9	M5×0.8	M8×1.25	5.3	8.3	4.5	3	8.3	13.3	7	4.5

Dimensions of -RL Rod side End Keep Cylinder (mm)

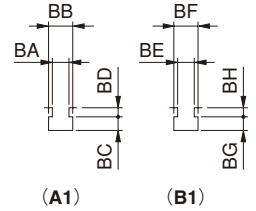
Slide bearing type **SGDAK** × -RL



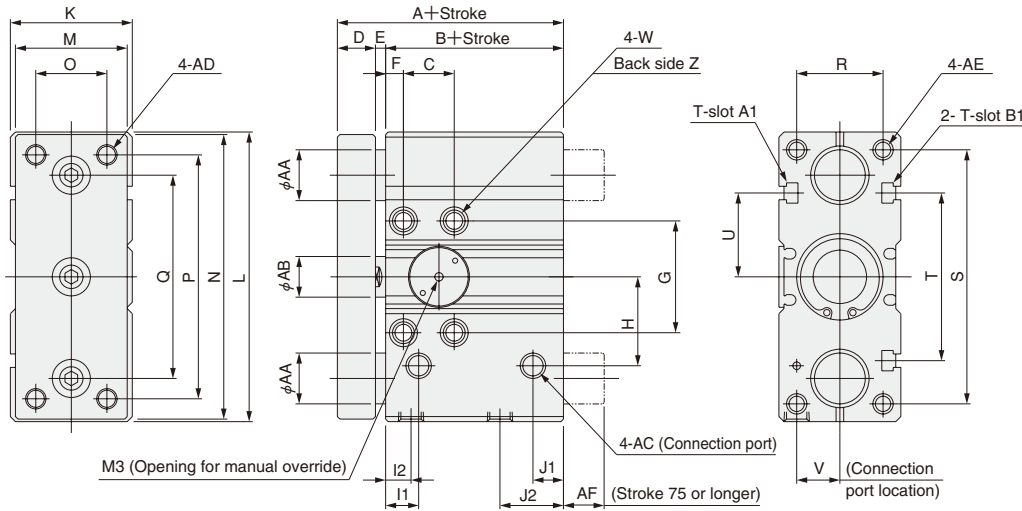
● $\phi 12$, $\phi 16$ (Drawings show $\phi 16$.)



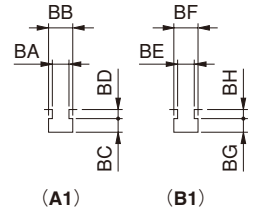
● T-slot A1, B1 dimensions



● $\phi 20 \sim \phi 63$ (Drawings show $\phi 32$.)



● T-slot A1, B1 dimensions




Bore mm [in.]	Code	A	B	C							D	E	F	G	H	I1	I2	J1	J2	K	L	M	N	O	P	Q	R	S	T	U	V ^{Note}	W
				10	20	30	40	50	75	100																						
12	[0.472]	56	45	15	25	35	45	55	—	8	3	5	22	17	10	9	6	14	28	58	22	56	14	48	42	18	51	37	18.5	8.5	$\phi 4.2$ (Thru hole) Counterbore $\phi 8$ Depth 4.5	
16	[0.630]	60	47	15	25	35	45	55	—	10	3	5	26	19	10	9	7.5	16	32	68	26	66	16	56	47	20	60	44	22	9.5	$\phi 4.2$ (Thru hole) Counterbore $\phi 8$ Depth 4.5	
20	[0.787]	72	56	20	30	40	50	60	110	12	4	6	30	27	11	11	10	20	40	82	36	80	24	66	58	26	72	54	27	13.5	$\phi 5.2$ (Thru hole) Counterbore $\phi 9.5$ Depth 5.5	
25	[0.984]	74	58	20	30	40	50	60	110	12	4	6	33	29	12	12	10	21	42	92	38	90	26	76	63	30	80	54	27	14.5	$\phi 5.2$ (Thru hole) Counterbore $\phi 9.5$ Depth 5.5	
32	[1.260]	79	60	20	30	40	50	60	110	15	4	7	44	35	13	10	12	25	48	114	44	112	28	96	80	34	100	66	33	17	$\phi 6.8$ (Thru hole) Counterbore $\phi 11$ Depth 7	
40	[1.575]	83	64	20	30	40	50	60	110	15	4	7	52	40	14	14	13	25	54	124	50	122	34	106	90	40	106	82	41	18	$\phi 6.8$ (Thru hole) Counterbore $\phi 11$ Depth 7	
50	[1.969]	100	77	20	30	40	50	60	110	18	5	8	66	52.5	15.5	10	15	31	66	150	62	148	42	120	110	44	130	100	50	22	$\phi 8.6$ (Thru hole) Counterbore $\phi 14$ Depth 9	
63	[2.480]	100	77	20	30	40	50	60	110	18	5	8	78	60	17	10	14	31	76	162	72	160	52	132	122	44	144	120	60	24	$\phi 8.6$ (Thru hole) Counterbore $\phi 14$ Depth 9	

Note: The V dimension shows the side connection port location.

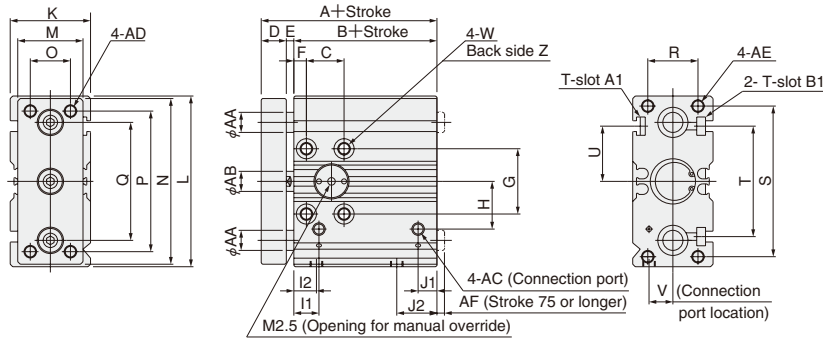
Bore mm [in.]	Code	Z	AA	AB	AC	AD	AE	AF	T-slot		BA	BB	BC	BD	BE	BF	BG	BH
									A1	B1								
12	[0.472]	M5×0.8 Depth 8	8	6	M5×0.8	M4×0.7	M4×0.7 Depth 8	—	M3×0.5	M4×0.7	3.3	5.8	3	1.5	4.3	7.3	3.5	2.5
16	[0.630]	M5×0.8 Depth 11	10	8	M5×0.8	M5×0.8	M5×0.8 Depth 10	3	M4×0.7	M4×0.7	4.3	7.3	3.5	1.5	4.3	7.3	3.5	3
20	[0.787]	M6×1 Depth 12	14	10	Rc1/8	M6×1	M6×1 Depth 12	7	M4×0.7	M5×0.8	4.3	7.3	4	3	5.3	8.3	4.5	3
25	[0.984]	M6×1 Depth 12	16	12	Rc1/8	M6×1	M6×1 Depth 12	8	M4×0.7	M5×0.8	4.3	7.3	4	3	5.3	8.3	4.5	3
32	[1.260]	M8×1.25 Depth 16	20	16	Rc1/8	M8×1.25	M8×1.25 Depth 16	16	M5×0.8	M5×0.8	5.3	8.3	4.5	3	5.3	8.3	4.5	3
40	[1.575]	M8×1.25 Depth 16	20	16	Rc1/8	M8×1.25	M8×1.25 Depth 16	12	M5×0.8	M6×1	5.3	8.3	4.5	3	6.3	10.3	5.5	3
50	[1.969]	M10×1.5 Depth 20	25	20	Rc1/4	M10×1.5	M10×1.5 Depth 20	9	M5×0.8	M8×1.25	5.3	8.3	4.5	3	8.3	13.3	7	4.5
63	[2.480]	M10×1.5 Depth 20	25	20	Rc1/4	M10×1.5	M10×1.5 Depth 20	9	M5×0.8	M8×1.25	5.3	8.3	4.5	3	8.3	13.3	7	4.5

JIG CYLINDERS WITH GUIDES $\phi 12 \sim \phi 63$

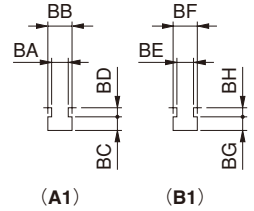
Dimensions of -RL Rod Side End Keep Cylinder (mm)

Rolling bearing type **SGDAKQ** × -RL  SGDAKQ : SGDAKQ

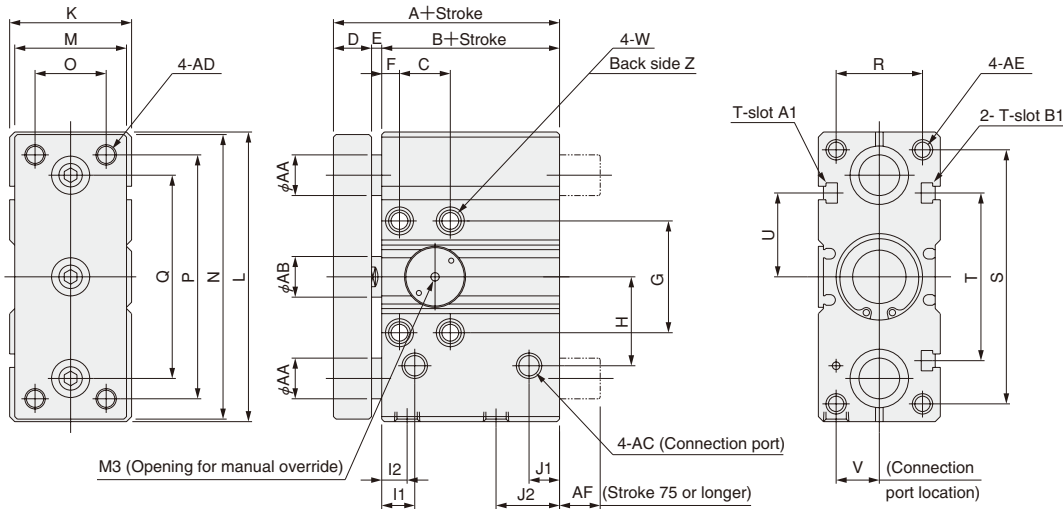
● $\phi 12, \phi 16$ (Drawings show $\phi 16$.)



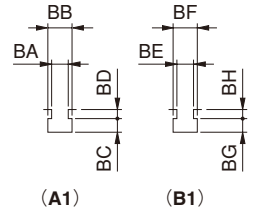
● T-slot A1, B1 dimensions



● $\phi 20 \sim \phi 63$ (Drawings show $\phi 32$.)



● T-slot A1, B1 dimensions



Code	A	B	C						D	E	F	G	H	I1	I2	J1	J2	K	L	M	N	O	P	Q	R	S	T	U	V ^{Note}	W
			Stroke																											
Bore mm [in.]			10	20	30	40	50~100	125 or more																						
12 [0.472]	56	45	15	25	35	45	55	—	8	3	5	22	17	10	9	6	14	28	58	22	56	14	48	42	18	51	37	18.5	8.5	$\phi 4.2$ (Thru hole) Counterbore $\phi 8$ Depth 4.5
16 [0.630]	60	47	15	25	35	45	55	—	10	3	5	26	19	10	9	7.5	16	32	68	26	66	16	56	47	20	60	44	22	9.5	$\phi 4.2$ (Thru hole) Counterbore $\phi 8$ Depth 4.5
20 [0.787]	72	56	20	30	40	50	60	110	12	4	6	30	27	11	11	10	20	40	82	36	80	24	66	58	26	72	54	27	13.5	$\phi 5.2$ (Thru hole) Counterbore $\phi 9.5$ Depth 5.5
25 [0.984]	74	58	20	30	40	50	60	110	12	4	6	33	29	12	12	10	21	42	92	38	90	26	76	63	30	80	54	27	14.5	$\phi 5.2$ (Thru hole) Counterbore $\phi 9.5$ Depth 5.5
32 [1.260]	79	60	20	30	40	50	60	110	15	4	7	44	35	13	10	12	25	48	114	44	112	28	96	80	34	100	66	33	17	$\phi 6.8$ (Thru hole) Counterbore $\phi 11$ Depth 7
40 [1.575]	83	64	20	30	40	50	60	110	15	4	7	52	40	14	14	13	25	54	124	50	122	34	106	90	40	106	82	41	18	$\phi 6.8$ (Thru hole) Counterbore $\phi 11$ Depth 7
50 [1.969]	100	77	20	30	40	50	60	110	18	5	8	66	52.5	15.5	10	15	31	66	150	62	148	42	120	110	44	130	100	50	22	$\phi 8.6$ (Thru hole) Counterbore $\phi 14$ Depth 9
63 [2.480]	100	77	20	30	40	50	60	110	18	5	8	78	60	17	10	14	31	76	162	72	160	52	132	122	44	144	120	60	24	$\phi 8.6$ (Thru hole) Counterbore $\phi 14$ Depth 9

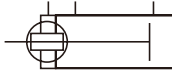
Note: The V dimension shows the side connection port location.

Code	Z	AA	AB	AC	AD	AE	AF	T-slot		BA	BB	BC	BD	BE	BF	BG	BH
								A1	B1								
Bore mm [in.]																	
12 [0.472]	M5×0.8 Depth 8	6	6	M5×0.8	M4×0.7	M4×0.7 Depth 8	—	M3×0.5	M4×0.7	3.3	5.8	3	1.5	4.3	7.3	3.5	2.5
16 [0.630]	M5×0.8 Depth 11	8	8	M5×0.8	M5×0.8	M5×0.8 Depth 10	3	M4×0.7	M4×0.7	4.3	7.3	3.5	1.5	4.3	7.3	3.5	3
20 [0.787]	M6×1 Depth 12	12	10	Rc1/8	M6×1	M6×1 Depth 12	7	M4×0.7	M5×0.8	4.3	7.3	4	3	5.3	8.3	4.5	3
25 [0.984]	M6×1 Depth 12	13	12	Rc1/8	M6×1	M6×1 Depth 12	8	M4×0.7	M5×0.8	4.3	7.3	4	3	5.3	8.3	4.5	3
32 [1.260]	M8×1.25 Depth 16	16	16	Rc1/8	M8×1.25	M8×1.25 Depth 16	16	M5×0.8	M5×0.8	5.3	8.3	4.5	3	5.3	8.3	4.5	3
40 [1.575]	M8×1.25 Depth 16	16	16	Rc1/8	M8×1.25	M8×1.25 Depth 16	12	M5×0.8	M6×1	5.3	8.3	4.5	3	6.3	10.3	5.5	3
50 [1.969]	M10×1.5 Depth 20	20	20	Rc1/4	M10×1.5	M10×1.5 Depth 20	9	M5×0.8	M8×1.25	5.3	8.3	4.5	3	8.3	13.3	7	4.5
63 [2.480]	M10×1.5 Depth 20	20	20	Rc1/4	M10×1.5	M10×1.5 Depth 20	9	M5×0.8	M8×1.25	5.3	8.3	4.5	3	8.3	13.3	7	4.5

JIG CYLINDERS WITH GUIDES

Cylinders for Clean Systems $\phi 12 \sim \phi 63$

Symbol



Caution : If used when a lateral load is applied, or used as a lifter, load should be 20% or less of the standard type.

Specifications

Item	Bore size mm [in.]	12 [0.472]	16 [0.630]	20 [0.787]	25 [0.984]	32 [1.260]	40 [1.575]	50 [1.969]	63 [2.480]
Operation type		Double acting type							
Media		Air							
Operating pressure range	MPa [psi.]	0.2~1.0 [29~145]				0.15~1.0 [22~145]			
Proof pressure	MPa [psi.]	1.5 [218]							
Operating temperature range	°C [°F]	0~60 [32~140]							
Operating speed range	mm/s [in./sec.]	100~300 [3.9~11.8]							
Cushion		Rubber bumper							
Lubrication		Prohibited							
Port size		M5×0.8			Rc1/8			Rc1/4	
Dust collection port size		M5×0.8							
Stroke tolerance	mm [in.]	$+1.5 \begin{matrix} +0.059 \\ 0 \end{matrix}$							

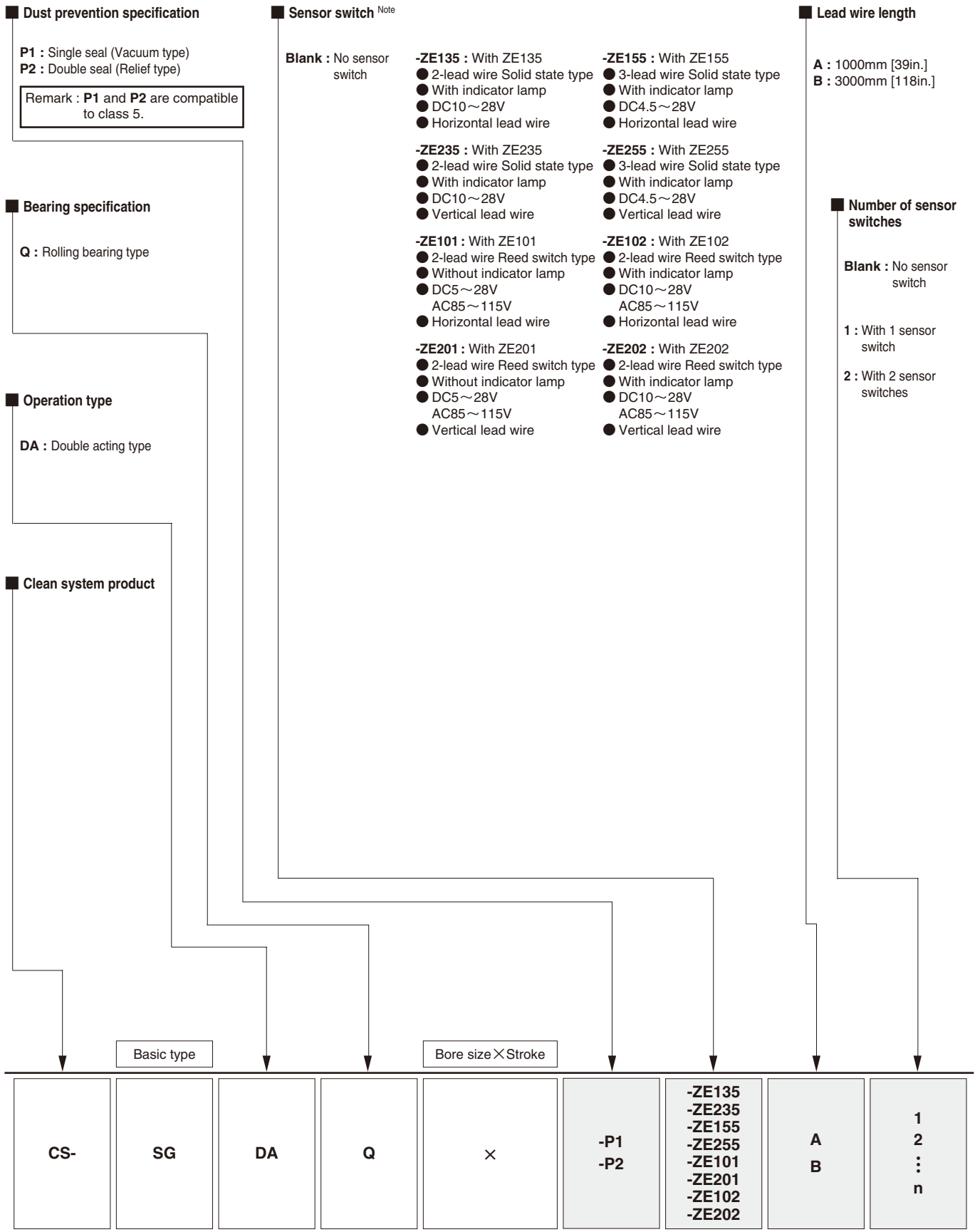
Remark: Since plugs for connection ports in $\phi 20 \sim \phi 63$ are provided, care should be taken not to get sealant into the cylinder when assembling the plugs after applying sealant, etc.

Bore Size and Stroke

Bore size	Standard strokes	Maximum available stroke
12	10, 20, 30, 40, 50, 75, 100	100
16		
20	10, 20, 30, 40, 50, 75, 100, 125, 150, 175, 200	200
25		
32		
40		
50		
63		

Remarks: 1. Non-standard strokes are available at 5mm intervals. Since the manufacturing method is collar packed, the total length, etc., are the same dimensions as the next size up standard stroke cylinder.
2. For strokes of 75mm or longer, use long bushing type.

Order Codes for Cylinders for Clean Systems



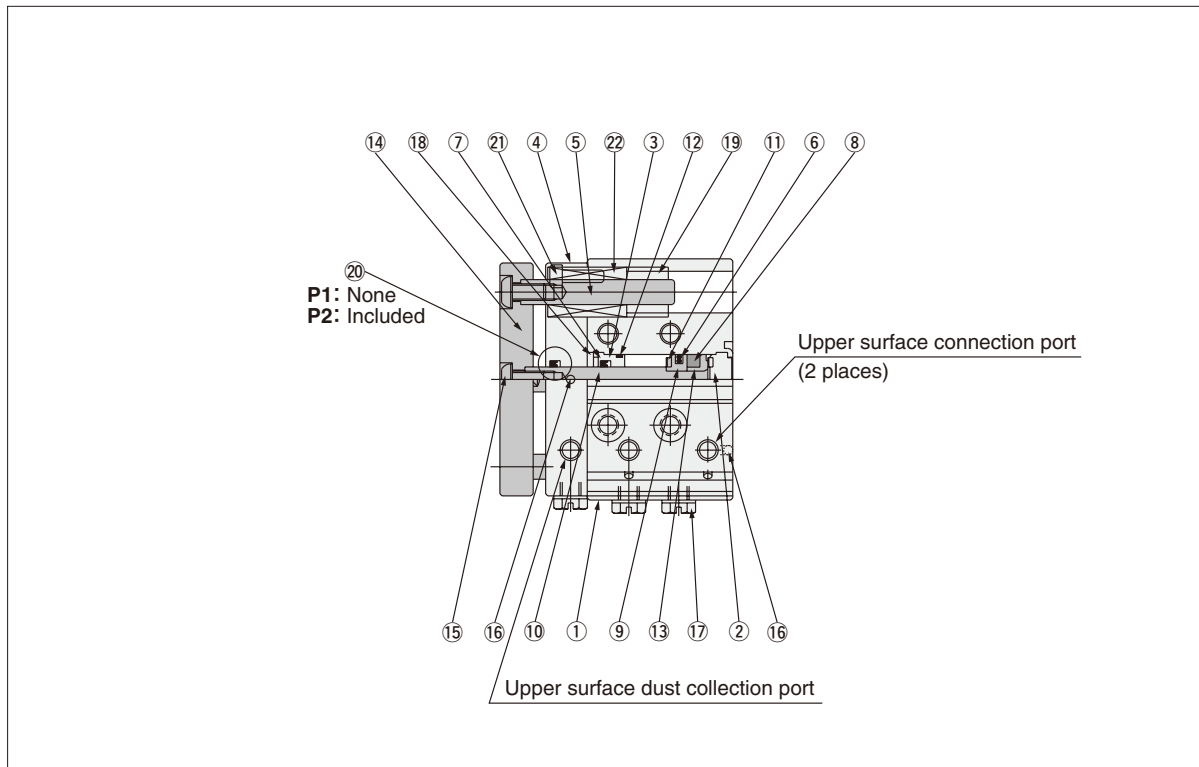
● See the bore size and stroke on p.728.

● For the order codes for sensor switches only, see p.733.

Note: For details of sensor switches, see p.733.

Inner Construction and Major Parts

■ Cylinder for clean systems (Diagram shows $\phi 12$.)



Remark: The number of bearings for 50mm stroke or shorter is 1 bearing per shaft. At 75mm stroke or longer, 2 bearings per shaft. The plate, piston rod, and guide rod cannot be disassembled.

Major Parts and Materials

No.	Parts	Bore mm	12	16	20	25	32	40	50	63	
①	Cylinder body		Aluminum alloy (anodized)								
②	Head cover		Aluminum alloy (anodized)								
③	Rod cover		Aluminum alloy (special wear-resistant treatment)								
④	Dust prevention cover		Aluminum alloy (anodized)								
⑤	Guide rod		Stainless steel								
⑥	Piston seal		Synthetic rubber (NBR)								
⑦	Rod seal		Synthetic rubber (NBR)								
⑧	Magnet		Plastic magnet								
⑨	Piston		Aluminum alloy (special rust prevention treatment)								
⑩	Piston rod		Stainless steel (hard chrome plated)								
⑪	Bumper		Synthetic rubber (NBR)								
⑫	O-ring		Synthetic rubber (NBR)								
⑬	Support		Aluminum alloy (special rust prevention treatment)								
⑭	Plate		Aluminum alloy (anodized)								
⑮	Bolt		Steel (nickel plated)				Stainless steel				
⑯	Steel ball		Stainless steel								
⑰	Plug		Brass (nickel plated)	Stainless steel (supplied at shipping for $\phi 20 \sim \phi 63$)							
⑱	Snap ring		Steel (phosphate coating)								
⑲	Collar		Aluminum alloy (special rust prevention treatment)								
⑳	Dust prevention seal		Synthetic rubber (NBR)								
㉑	Bolt		Stainless steel								
㉒	Rolling bearing		Steel, plastic (low level anti dust treatment)								

Seals

Bore size mm	Type	Cylinders for clean systems			
	Parts	Rod seal Dust prevention seal	Piston seal	Tube gasket	
				Rod side	Head side
12		MYR-6	COP-12	Y090260	None
16		MYR-8	COP-16	Y090207	Y090207
20		MYR-10	COP-20	Y090216	Y090216
25		MYR-12	COP-25	Y090210	Y090210
32		MYR-16	COP-32	L090084	L090084
40		MYR-16	COP-40	L090151	L090151
50		MYR-20	COP-50	L090174	L090174
63		MYR-20	COP-63	L090180	L090180

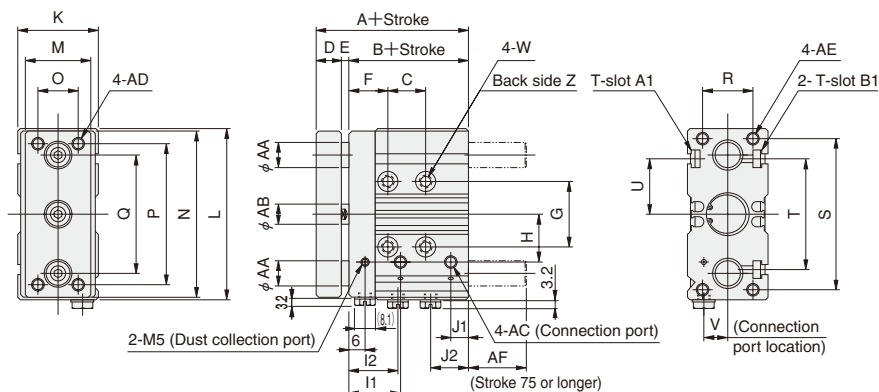
Mass

Bore size mm [in.]		Type	Cylinders for clean systems		Option	
		Mass	Zero stroke mass	Additional mass for each 1mm [0.0394in.] stroke	Additional mass of sensor switch	
					ZE□□□A	ZE□□□B
12 [0.472]	50st or shorter	158 [5.57]	3.63 [0.1280]	15 [0.53]	35 [1.23]	
	75st or longer	168 [5.93]	3.63 [0.1280]			
16 [0.630]	50st or shorter	256 [9.03]	5.17 [0.1824]			
	75st or longer	297 [10.48]	5.17 [0.1824]			
20 [0.787]	50st or shorter	440 [15.52]	8.4 [0.2963]			
	75st or longer	521 [18.38]	8.4 [0.2963]			
25 [0.984]	50st or shorter	642 [22.65]	10.12 [0.3570]			
	75st or longer	720 [25.40]	10.12 [0.3570]			
32 [1.260]	50st or shorter	1012 [35.70]	13.71 [0.4836]			
	75st or longer	1227 [43.28]	13.71 [0.4836]			
40 [1.575]	50st or shorter	1230 [43.39]	15.78 [0.5566]			
	75st or longer	1530 [53.97]	15.78 [0.5566]			
50 [1.969]	50st or shorter	2082 [73.44]	23.27 [0.8208]			
	75st or longer	2419 [85.33]	23.27 [0.8208]			
63 [2.480]	50st or shorter	2700 [95.24]	26.97 [0.9513]			
	75st or longer	3038 [107.16]	26.97 [0.9513]			

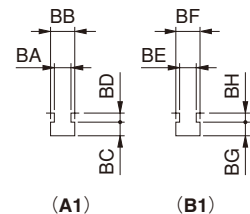
Dimensions of Cylinders for Clean Systems (mm)

Rolling bearing type **CS-SGDAQ** Bore size × Stroke

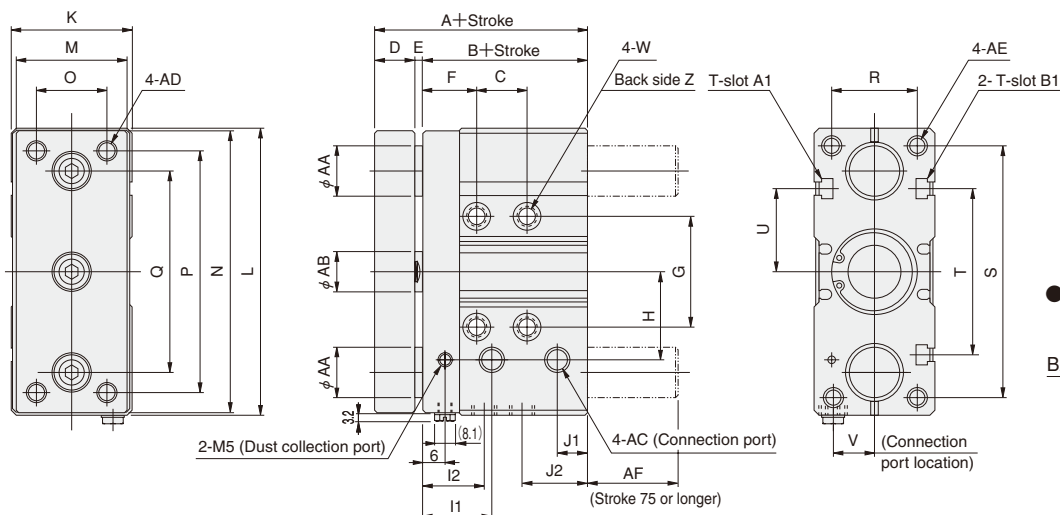
● $\phi 12$, $\phi 16$ (Drawings show $\phi 16$.)



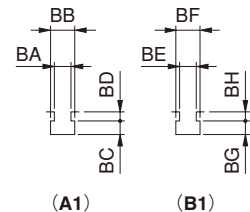
● T-slot A1, B1 dimensions



● $\phi 20 \sim \phi 63$ (Drawings show $\phi 32$.)



● T-slot A1, B1 dimensions



Code	Bore mm [in.]		C								D	E	F	G	H	I1	I2	J1	J2	K	L	M	N	O	P	Q	R	S	T	U	V ^{Note}	W
	A	B	Stroke																													
12 [0.472]	46	35	15	25	35	45	55	—	8	3	15	22	17	20	19	6	14	28	58	22	56	14	48	42	18	51	37	18.5	8.5	$\phi 4.2$ (Thru hole) Counterbore $\phi 8$ Depth 4.5		
16 [0.630]	50	37	15	25	35	45	55	—	10	3	15	26	19	20	19	7.5	16	32	68	26	66	16	56	47	20	60	44	22	9.5	$\phi 4.2$ (Thru hole) Counterbore $\phi 8$ Depth 4.5		
20 [0.787]	62	46	20	30	40	50	60	110	12	4	16	30	27	21	21	10	20	40	82	36	80	24	66	58	26	72	54	27	13.5	$\phi 5.2$ (Thru hole) Counterbore $\phi 9.5$ Depth 5.5		
25 [0.984]	64	48	20	30	40	50	60	110	12	4	16	33	29	22	22	10	21	42	92	38	90	26	76	63	30	80	54	27	14.5	$\phi 5.2$ (Thru hole) Counterbore $\phi 9.5$ Depth 5.5		
32 [1.260]	69	50	20	30	40	50	60	110	15	4	17	44	35	23	20	12	25	48	114	44	112	28	96	80	34	100	66	33	17	$\phi 6.8$ (Thru hole) Counterbore $\phi 11$ Depth 7		
40 [1.575]	73	54	20	30	40	50	60	110	15	4	17	52	40	24	24	13	25	54	124	50	122	34	106	90	40	106	82	41	18	$\phi 6.8$ (Thru hole) Counterbore $\phi 11$ Depth 7		
50 [1.969]	80	57	20	30	40	50	60	110	18	5	18	66	52.5	25.5	20	15	31	66	150	62	148	42	120	110	44	130	100	50	22	$\phi 8.6$ (Thru hole) Counterbore $\phi 14$ Depth 9		
63 [2.480]	80	57	20	30	40	50	60	110	18	5	18	78	60	27	20	14	31	76	162	72	160	52	132	122	44	144	120	60	24	$\phi 8.6$ (Thru hole) Counterbore $\phi 14$ Depth 9		

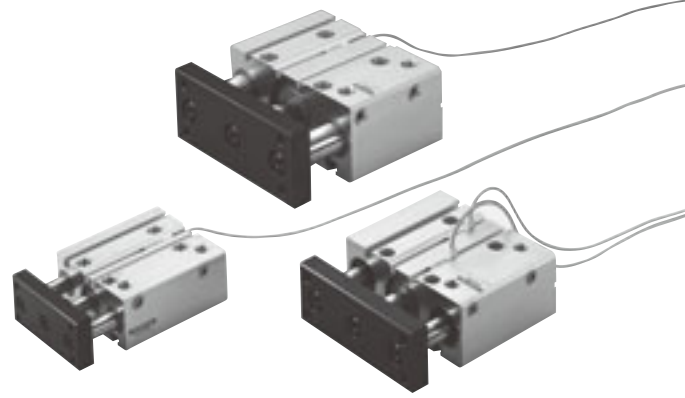
Note: The V dimension shows the side connection port location.

Code	Z	AA	AB	AC	AD	AE	AF	T-slot		BA	BB	BC	BD	BE	BF	BG	BH
								A1	B1								
12 [0.472]	M5×0.8 Depth 8	6	6	M5×0.8	M4×0.7	M4×0.7 Depth 8	5	M3×0.5	M4×0.7	3.3	5.8	3	1.5	4.3	7.3	3.5	2.5
16 [0.630]	M5×0.8 Depth 11	8	8	M5×0.8	M5×0.8	M5×0.8 Depth 10	13	M4×0.7	M4×0.7	4.3	7.3	3.5	1.5	4.3	7.3	3.5	3
20 [0.787]	M6×1 Depth 12	12	10	Rc1/8	M6×1	M6×1 Depth 12	17	M4×0.7	M5×0.8	4.3	7.3	4	3	5.3	8.3	4.5	3
25 [0.984]	M6×1 Depth 12	13	12	Rc1/8	M6×1	M6×1 Depth 12	18	M4×0.7	M5×0.8	4.3	7.3	4	3	5.3	8.3	4.5	3
32 [1.260]	M8×1.25 Depth 16	16	16	Rc1/8	M8×1.25	M8×1.25 Depth 16	26	M5×0.8	M5×0.8	5.3	8.3	4.5	3	5.3	8.3	4.5	3
40 [1.575]	M8×1.25 Depth 16	16	16	Rc1/8	M8×1.25	M8×1.25 Depth 16	22	M5×0.8	M6×1	5.3	8.3	4.5	3	6.3	10.3	5.5	3
50 [1.969]	M10×1.5 Depth 20	20	20	Rc1/4	M10×1.5	M10×1.5 Depth 20	29	M5×0.8	M8×1.25	5.3	8.3	4.5	3	8.3	13.3	7	4.5
63 [2.480]	M10×1.5 Depth 20	20	20	Rc1/4	M10×1.5	M10×1.5 Depth 20	29	M5×0.8	M8×1.25	5.3	8.3	4.5	3	8.3	13.3	7	4.5

JIG CYLINDERS WITH GUIDES $\phi 12 \sim \phi 63$

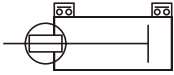
SENSOR SWITCHES FOR JIG CYLINDERS WITH GUIDES

Solid State Type, Reed Switch Type

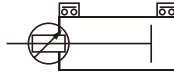


Symbols

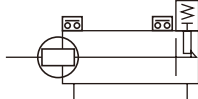
● Standard cylinder



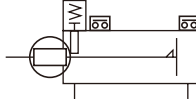
● Stroke adjusting cylinder



● End keep cylinder (Head side)



● End keep cylinder (Rod side)



Order Codes



Lead wire length
A — 1000mm [39in.]
B — 3000mm [118in.]

Cylinder specification

Blank — Standard,
 Stroke adjusting,
 End keep

CS — For Clean
 systems

Sensor switch

ZE135 — Solid state type with indicator lamp

ZE235 — Solid state type with indicator lamp

ZE101 — Reed switch type without indicator lamp

ZE201 — Reed switch type without indicator lamp

ZE155 — Solid state type with indicator lamp

ZE255 — Solid state type with indicator lamp

ZE102 — Reed switch type with indicator lamp

ZE202 — Reed switch type with indicator lamp

DC10V~28V Horizontal lead wire

DC10V~28V Vertical lead wire

DC5V~28V Horizontal lead wire

AC85~115V

DC5V~28V Vertical lead wire

AC85~115V

DC4.5V~28V Horizontal lead wire

DC4.5V~28V Vertical lead wire

DC10V~28V Horizontal lead wire

AC85~115V

DC10V~28V Vertical lead wire

AC85~115V

● For details of sensor switches, see p.1544.

Minimum Cylinder Strokes When Using Sensor Switches

● Solid state type

Bore size mm [in.]	2 pcs. mounting ^{Note}		1 pc. mounting
	1-surface mounting	2-surface mounting	
12~63 [0.472~2.480]	10		5

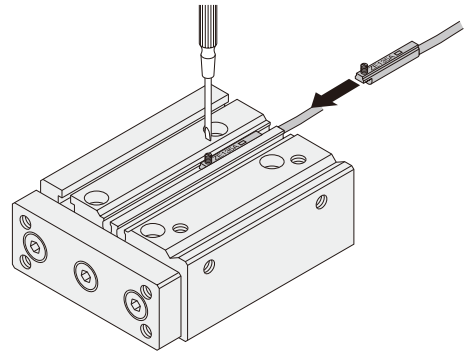
Note: 2 pcs. mounting is possible at stroke 5mm.
Be aware, however, that overlapping may occur.

● Reed switch type

Bore size mm [in.]	2 pcs. mounting		1 pc. mounting
	1-surface mounting	2-surface mounting	
12~63 [0.472~2.480]	10		10

Moving Sensor Switch

- Loosening the mounting screw allows the sensor switch to be moved along the switch mounting groove on the cylinder body.
- Tighten the mounting screw with a tightening torque of 0.1~0.2N·m [0.9~1.8in·lbf].



Sensor Switch Operating Range, Response Differential, and Maximum Sensing Location

● Operating range: ℓ

The distance the piston travels in one direction, while the switch is in the ON position.

● Response differential: C

The distance between the point where the piston turns the switch ON and the point where the switch is turned OFF as the piston travels in the opposite direction.

● Solid state type

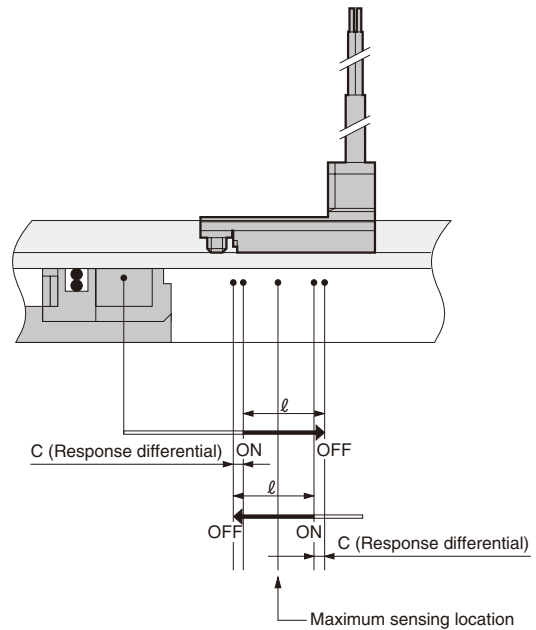
Item	Bore size							
	12 [0.472]	16 [0.630]	20 [0.787]	25 [0.984]	32 [1.260]	40 [1.575]	50 [1.969]	63 [2.480]
Operating range: ℓ	2~4 [0.079~0.157]	2~5 [0.079~0.197]	3.5~7.5 [0.138~0.295]	4~8 [0.157~0.315]	3~7 [0.118~0.276]	3.5~7.5 [0.138~0.295]	3.5~7.5 [0.138~0.295]	4~8.5 [0.157~0.335]
Response differential: C	1.0 [0.039] or less							
Maximum sensing location ^{Note}	6 [0.236]							

Note: This is the length measured from the switch's opposite end side to lead wire.
Remark: The above table shows reference values.

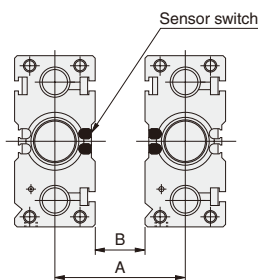
● Reed switch type

Item	Bore size							
	12 [0.472]	16 [0.630]	20 [0.787]	25 [0.984]	32 [1.260]	40 [1.575]	50 [1.969]	63 [2.480]
Operating range: ℓ	5.5~8 [0.217~0.315]	6.5~9 [0.256~0.354]	10~13 [0.394~0.512]	11.5~15 [0.453~0.591]	9~11.5 [0.354~0.453]	10~13.5 [0.394~0.531]	10.5~14.5 [0.413~0.571]	11~15.5 [0.433~0.610]
Response differential: C	1.0 [0.039] or less	1.5 [0.059] or less						
Maximum sensing location ^{Note}	10 [0.394]							

Note: This is the length measured from the switch's opposite end side to lead wire.
Remark: The above table shows reference values.



When Mounting Cylinders with Sensor Switches in Close Proximity



When mounting cylinders in close proximity, install the cylinder so that it exceeds the values in the table below.

The end plates are the same side

Bore size	Solid state type		Reed switch type	
	A	B	A	B
12 [0.472]	33 [1.299]		28 [1.102]	
16 [0.630]	37 [1.457]	5 [0.197]	32 [1.260]	
20 [0.787]	45 [1.772]		40 [1.575]	
25 [0.984]	50 [1.969]		42 [1.654]	
32 [1.260]	56 [2.205]	8 [0.315]	48 [1.890]	
40 [1.575]	62 [2.441]		54 [2.126]	
50 [1.969]	78 [3.071]		66 [2.598]	
63 [2.480]	88 [3.465]	12 [0.472]	76 [2.992]	

The end plates are the opposite side

Bore size	Solid state type		Reed switch type	
	A	B	A	B
12 [0.472]	34 [1.339]		28 [1.102]	
16 [0.630]	38 [1.496]	6 [0.236]	32 [1.260]	
20 [0.787]	46 [1.811]		40 [1.575]	
25 [0.984]	54 [2.126]		42 [1.654]	
32 [1.260]	60 [2.362]	12 [0.472]	48 [1.890]	
40 [1.575]	66 [2.598]		54 [2.126]	
50 [1.969]	84 [3.307]		66 [2.598]	
63 [2.480]	94 [3.701]	18 [0.709]	76 [2.992]	

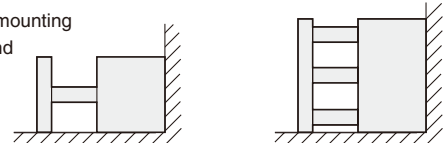
Mounting and Removing Sensor Switches

In Jig Cylinders with Guides of $\phi 12 \sim \phi 63$, be aware that sensor switches cannot be mounted or removed when strokes of 10mm or shorter mounted in the application shown below.

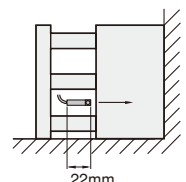
Bottom mounting



Right angled mounting (2 surfaces and 3 surfaces)



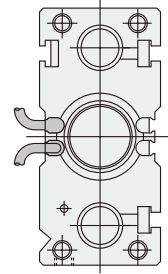
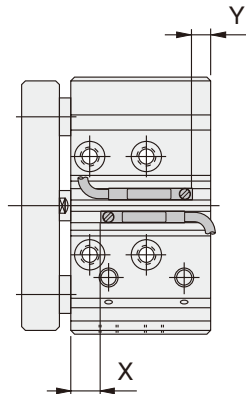
※ For strokes of 20mm or longer, sensor switches can be mounted and removed when the plate (rods extend) is extended.



Mounting Location of End of Stroke Detection Sensor Switch

When the sensor switch is mounted in the locations shown below (the figures in the tables are reference values), the magnet comes to the maximum sensing location of the sensor switch at the end of the stroke.

● Standard cylinder



※ The scraper specification has a configuration of the standard cylinder body length +10mm [0.394in.], with the retracted side connection port location shifted 10mm [0.394in.] toward the head side.

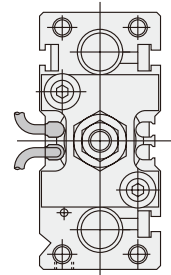
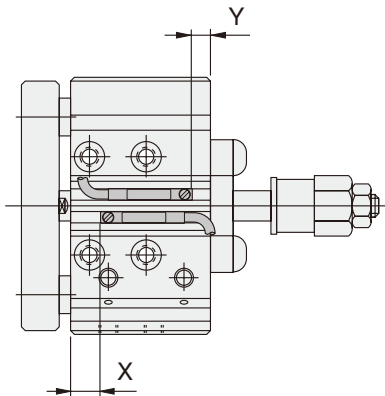
■ Solid state type

Code		Bore size	12	16	20	25	32	40	50	63
			[0.472]	[0.630]	[0.787]	[0.984]	[1.260]	[1.575]	[1.969]	[2.480]
X	Without scraper	9.5	11	14	16	15	16.5	16.5	16.5	16.5
	With scraper	19.5	21	24	26	25	26.5	26.5	26.5	26.5
Y	Without scraper	3.5	4.5	10	10	13	15.5	18.5	18.5	18.5
	With scraper	3.5	4.5	10	10	13	15.5	18.5	18.5	18.5

■ Reed switch type

Code		Bore size	12	16	20	25	32	40	50	63
			[0.472]	[0.630]	[0.787]	[0.984]	[1.260]	[1.575]	[1.969]	[2.480]
X	Without scraper	5.5	7	10	12	11	12.5	12.5	12.5	12.5
	With scraper	15.5	17	20	22	21	22.5	22.5	22.5	22.5
Y	Without scraper	0	0	6	6	9	11.5	14.5	14.5	14.5
	With scraper	0	0	6	6	9	11.5	14.5	14.5	14.5

● Stroke adjusting cylinder



■ Solid state type

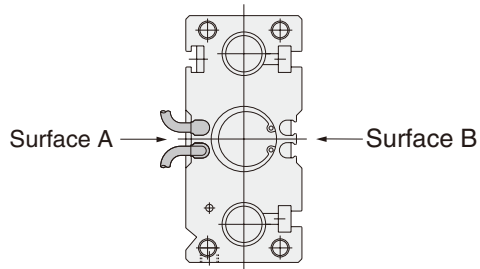
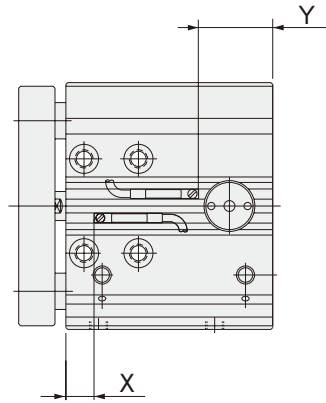
Code		Bore size	12	16	20	25	32	40	50	63
			[0.472]	[0.630]	[0.787]	[0.984]	[1.260]	[1.575]	[1.969]	[2.480]
X		7	7	10	11	15	16.5	16.5	16.5	16.5
Y		6	8	14	15	13	15.5	18.5	18.5	18.5

■ Reed switch type

Code		Bore size	12	16	20	25	32	40	50	63
			[0.472]	[0.630]	[0.787]	[0.984]	[1.260]	[1.575]	[1.969]	[2.480]
X		3	3	6	7	11	12.5	12.5	12.5	12.5
Y		2	4	10	11	9	11.5	14.5	14.5	14.5

When the sensor switch is mounted in the locations shown below (the figures in the tables are reference values), the magnet comes to the maximum sensing location of the sensor switch at the end of the stroke.

● Head side end keep cylinder



■ Solid state type

		mm [in.]							
Code	Bore size	12	16	20	25	32	40	50	63
		[0.472]	[0.630]	[0.787]	[0.984]	[1.260]	[1.575]	[1.969]	[2.480]
X		9.5 [0.374]	11 [0.433]	14 [0.551]	16 [0.630]	15 [0.591]	16.5 [0.650]	16.5 [0.650]	16.5 [0.650]
Y		23.5 [0.925]	24.5 [0.965]	30 [1.181]	30 [1.181]	33 [1.299]	35.5 [1.398]	48.5 [1.909]	48.5 [1.909]

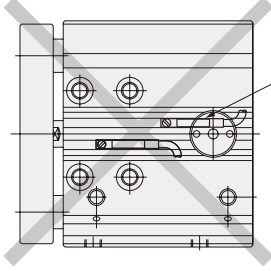
Remark: A sensor switch cannot be mounted on surface A when the cylinder is St=10 and a head side end keep. (Can be mounted on surface B)

■ Reed switch type

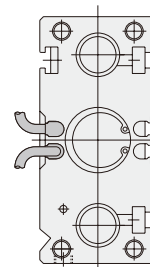
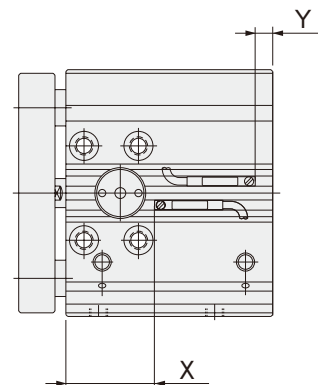
		mm [in.]							
Code	Bore size	12	16	20	25	32	40	50	63
		[0.472]	[0.630]	[0.787]	[0.984]	[1.260]	[1.575]	[1.969]	[2.480]
X		5.5 [0.217]	7 [0.276]	10 [0.394]	12 [0.472]	11 [0.433]	12.5 [0.492]	12.5 [0.492]	12.5 [0.492]
Y		20 [0.787]	20 [0.787]	26 [1.024]	26 [1.024]	29 [1.142]	31.5 [1.240]	44.5 [1.752]	44.5 [1.752]

Remark: A sensor switch cannot be mounted on surface A when the cylinder is St=10 and a head side end keep. (Can be mounted on surface B)

Caution: As can be seen in the diagram to the right, when a sensor switch is mounted on a head side end keep cylinder (-HL), both the lead wires cannot be taken out on the head side. They can, however, be mounted on surface B.



● Rod side end keep cylinder



■ Solid state type

		mm [in.]							
Code	Bore size	12	16	20	25	32	40	50	63
		[0.472]	[0.630]	[0.787]	[0.984]	[1.260]	[1.575]	[1.969]	[2.480]
X		29.5 [1.161]	31 [1.220]	34 [1.339]	36 [1.417]	35 [1.378]	36.5 [1.437]	46.5 [1.831]	46.5 [1.831]
Y		3.5 [0.138]	4.5 [0.177]	10 [0.394]	10 [0.394]	13 [0.512]	15.5 [0.610]	18.5 [0.728]	18.5 [0.728]

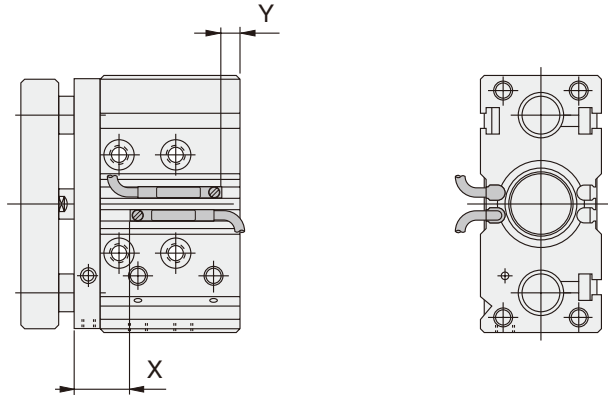
■ Reed switch type

		mm [in.]							
Code	Bore size	12	16	20	25	32	40	50	63
		[0.472]	[0.630]	[0.787]	[0.984]	[1.260]	[1.575]	[1.969]	[2.480]
X		25.5 [1.004]	27 [1.063]	30 [1.181]	32 [1.260]	31 [1.220]	32.5 [1.280]	42.5 [1.673]	42.5 [1.673]
Y		0 [0]	0 [0]	6 [0.236]	6 [0.236]	9 [0.354]	11.5 [0.453]	14.5 [0.571]	14.5 [0.571]

Mounting Location of End of Stroke Detection Sensor Switch

When the sensor switch is mounted in the locations shown below (the figures in the tables are reference values), the magnet comes to the maximum sensing location of the sensor switch at the end of the stroke.

● Cylinders for clean systems



■ Solid state type

mm [in.]

Code	Bore size	mm [in.]							
		12	16	20	25	32	40	50	63
X		19.5	21	24	26	25	26.5	26.5	26.5
		[0.768]	[0.827]	[0.945]	[1.024]	[0.984]	[1.043]	[1.043]	[1.043]
Y		3.5	4.5	10	10	13	15.5	18.5	18.5
		[0.138]	[0.177]	[0.394]	[0.394]	[0.512]	[0.610]	[0.728]	[0.728]

■ Reed switch type

mm [in.]

Code	Bore size	mm [in.]							
		12	16	20	25	32	40	50	63
X		15.5	17	20	22	21	22.5	22.5	22.5
		[0.610]	[0.669]	[0.787]	[0.866]	[0.827]	[0.886]	[0.886]	[0.886]
Y		0	0	6	6	9	11.5	14.5	14.5
		[0]	[0]	[0.236]	[0.236]	[0.354]	[0.453]	[0.571]	[0.571]