



FUJIKURA COMPOSITES

Compact Precision Air Regulator Series RP2



User-friendly compact design

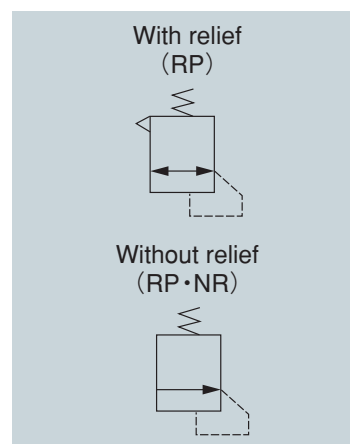
- **Compact air regulator with excellent function**
Although the size is equivalent to a miniature air regulator, this well-balanced miniature precision air regulator has a sufficient pressure characteristic required of a precision air regulator.
- **Push-lock type knob**
The push-lock type knob permits easy pressure setting.
- **Variable mounting styles**
In addition to panel mounting, this regulator can be mounted on the wall as well through a bracket.

Compliant with RoHS directives

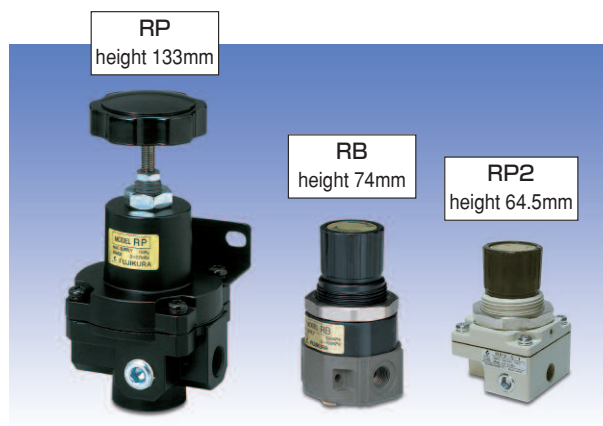
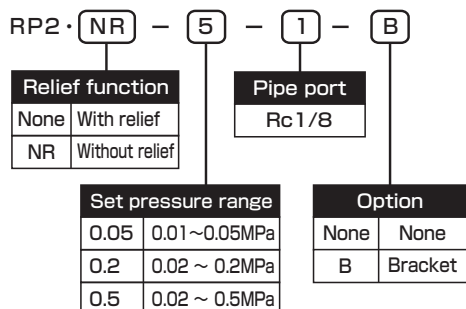
Specifications

With relief	RP2-0.5-1	RP2-2-1	RP2-5-1
Without relief	RP2·NR-0.5-1	RP2·NR-2-1	RP2·NR-5-1
Working fluid	Compressed clean air		
Set pressure range MPa	0.01 ~ 0.05	0.02 ~ 0.2	0.02 ~ 0.5
Supply pressure range MPa	1.0 or less		
Repeatability %	±0.5		
Operating temperature °C	5 ~ 60		
Pipe port	Rc	1/8	
Gauge port	Rc	1/8	
Filter	150 mesh (IN port)		
Recommended thickness of mounting panel mm	1.0 ~ 2.5		
Weight kg	0.17		

JIS symbol



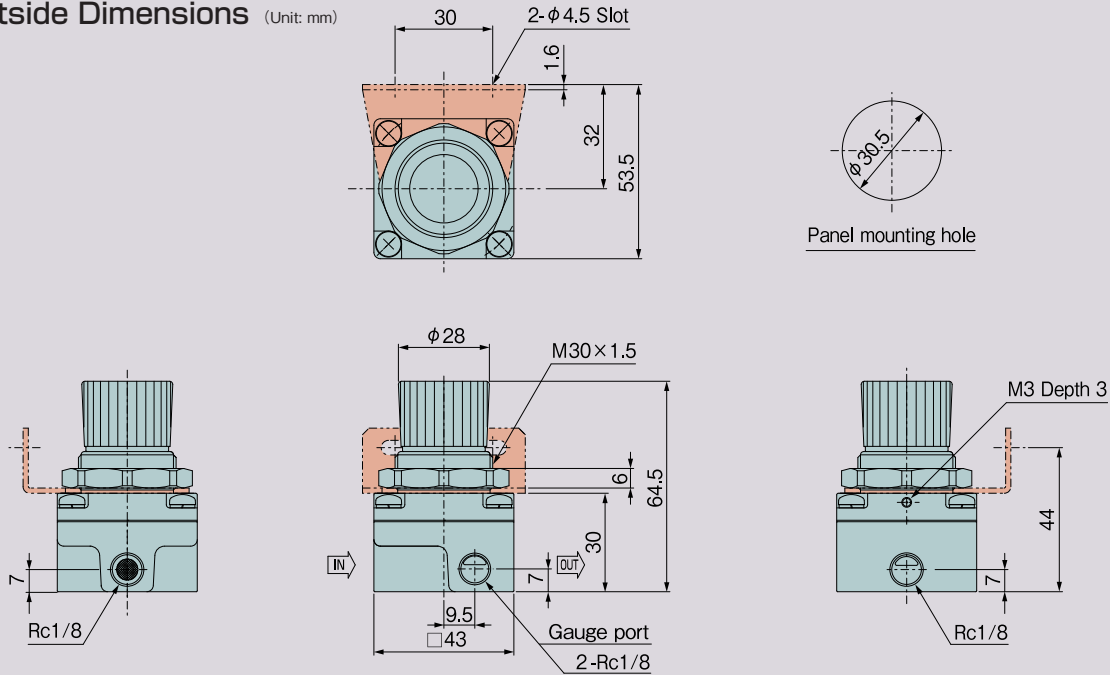
Model Designation



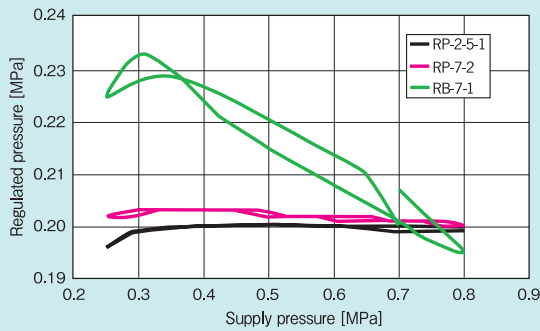
The height is half the height of RP

FUJIKURA RUBBER LTD.

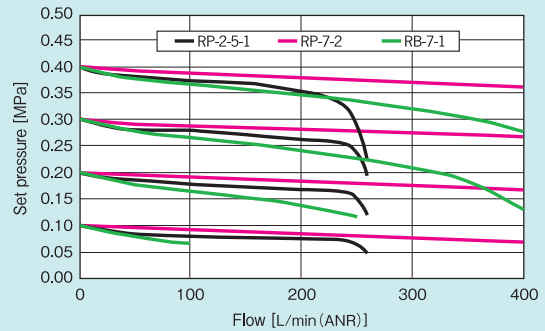
Outside Dimensions (Unit: mm)



■ Pressure Characteristic



■ Flow Characteristic



● FUJIKURA RUBBER's pneumatic equipment

- General Guide CAT. No. KS-572E
- Super Precision Air Regulators seriesRS } CAT. No. KS-128E
- Super Precision Air Relays seriesRR }
- Compac Super Precision Air Regulators RS2 CAT. No. KS-0394E
- Precision Air Regulators seriesRP CAT. No. KS-129E
- Compact Precision Air Regulators seriesRP2 CAT. No. KS-0393E
- Precision Electro-Pneumatic Transducers seriesRT CAT. No. KS-130E
- Precision Vacuum Pressure Regulators seriesRV CAT. No. KS-131E
- Miniature Precision Vacuum Pressure Regulators seriesRV2 CAT. No. KS-0305E

- Miniature Regulators seriesRA } CAT. No. KS-794E
- seriesRB }
- Thin-Type Precision Air Regulators seriesRP1 CAT. No. KS-183E
- Miniature Precision Air Regulators seriesRG1 CAT. No. KS-198E
- Relief Regulators seriesVR1 CAT. No. KS-187
- seriesFC CAT. No. KS-570-01E
- seriesSC CAT. No. KS-9137E
- seriesPC CAT. No. KS-570-02
- seriesTC CAT. No. KS-570-03
- seriesTD CAT. No. KS-0373

< General precautions >

- ① Be sure to flush the inside of the pipe before installing the regulator.
- ② Use air as the fluid.
- ③ Cover the regulator when using it in an atmosphere containing a lot of dust, moisture, or oil.
- ④ Exercise care so that excessive external force will not be applied to the product.
- ⑤ The IN side is provided with a built-in filter. However, be careful of the adhesion of foreign matter because fine matter may not be filtered out.
- ⑥ This product is to be used exclusively for pneumatic equipment. Avoid use for medical equipment.



Control Equipment Sales Department

10F TOC Ariake East Tower
 3-5-7, Ariake Koto-ku, Tokyo 135-0063, JAPAN
 Phone: +81-3-3527-8573 FAX: +81-3-3527-8390
 E-mail info_en@fujikura-control.com
 URL http://www.fujikura-control.com/en/