



# FUJIKURA COMPOSITES

## “VFR” series

Air

Liquid

Integration with our regulator "RG2" alleviates the influence of primary pressure fluctuation.

### ■ Features

- Flow rate is easy to setting by current control.
- The flow rate can be steplessly changed by the current value.
- Hysteresis is less and reproducibility is good.
- PWM control is possible.



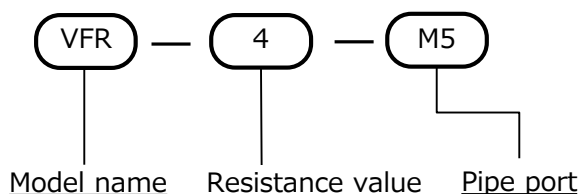
### ■ Applications

- Medical equipment
- Fine flow rate control of various medical equipment, respirator, anesthesia machine and so on.  
It is suitable for applications requiring compact and highly accurate pressure characteristics.

### ■ Specification

Model name		VFR-4-M5
Working fluid		Clean compressed air
Setting pressure range	kPa[psi]	200 [29.01] Max.
Operating pressure range	kPa[psi]	0 ~ 40 [0 ~ 5.80]
Outside flow rate adjustment range	L/min	0.1 ~ 7.5 (Pressure setting 20kPa[2.90psi])
Operating temperature range	℃[°F]	5 ~ 50 [32 ~ 122]
Power consumption	W	2 or less(DC12V)
Input signal range	mA	120 Max.
Resistance value	Ω	47
Cable length	mm[inch]	470 [18.50]
Cable diameter	AWG	26
Pipe port		M5

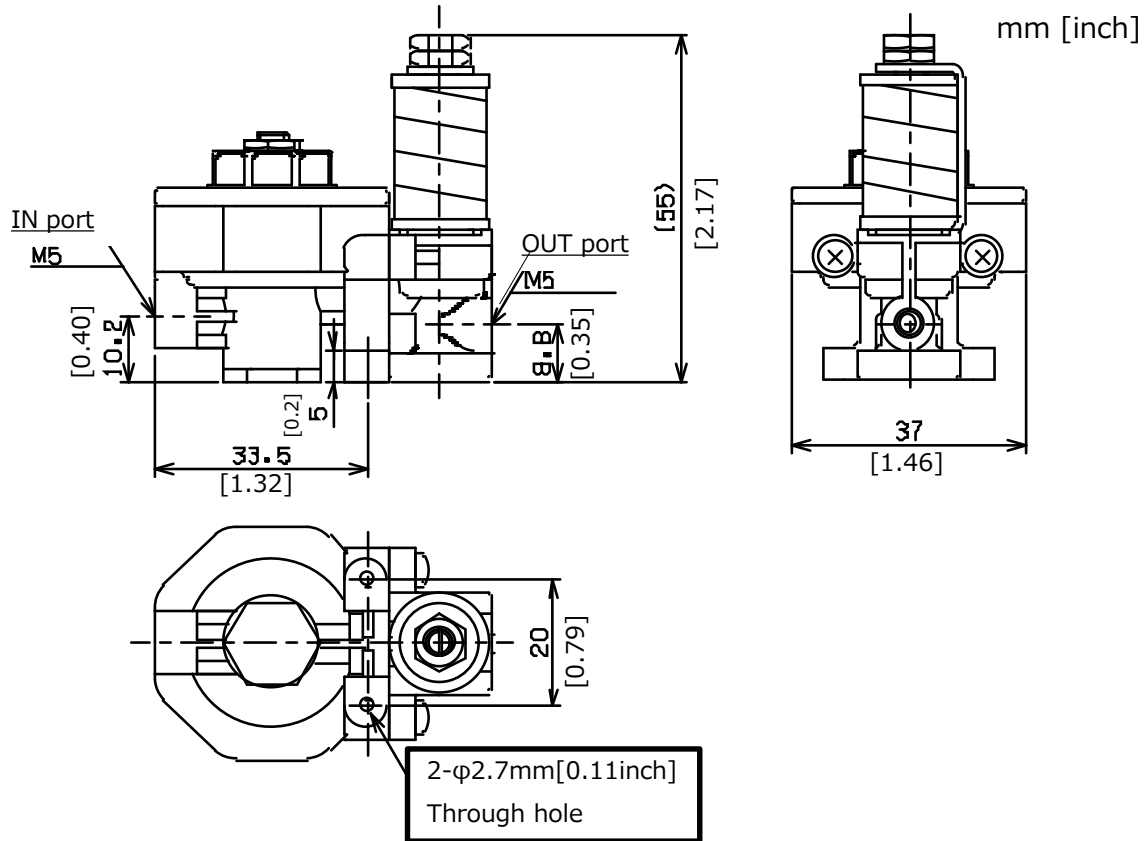
### ■ Model designation





# FUJIKURA COMPOSITES

## ■ Size



## ■ Characteristic

Voltage-current characteristics

